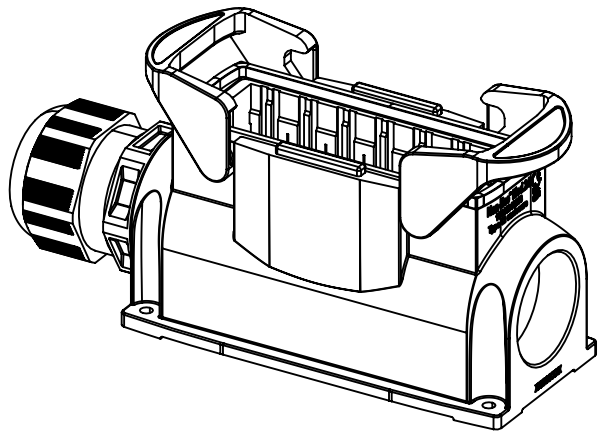
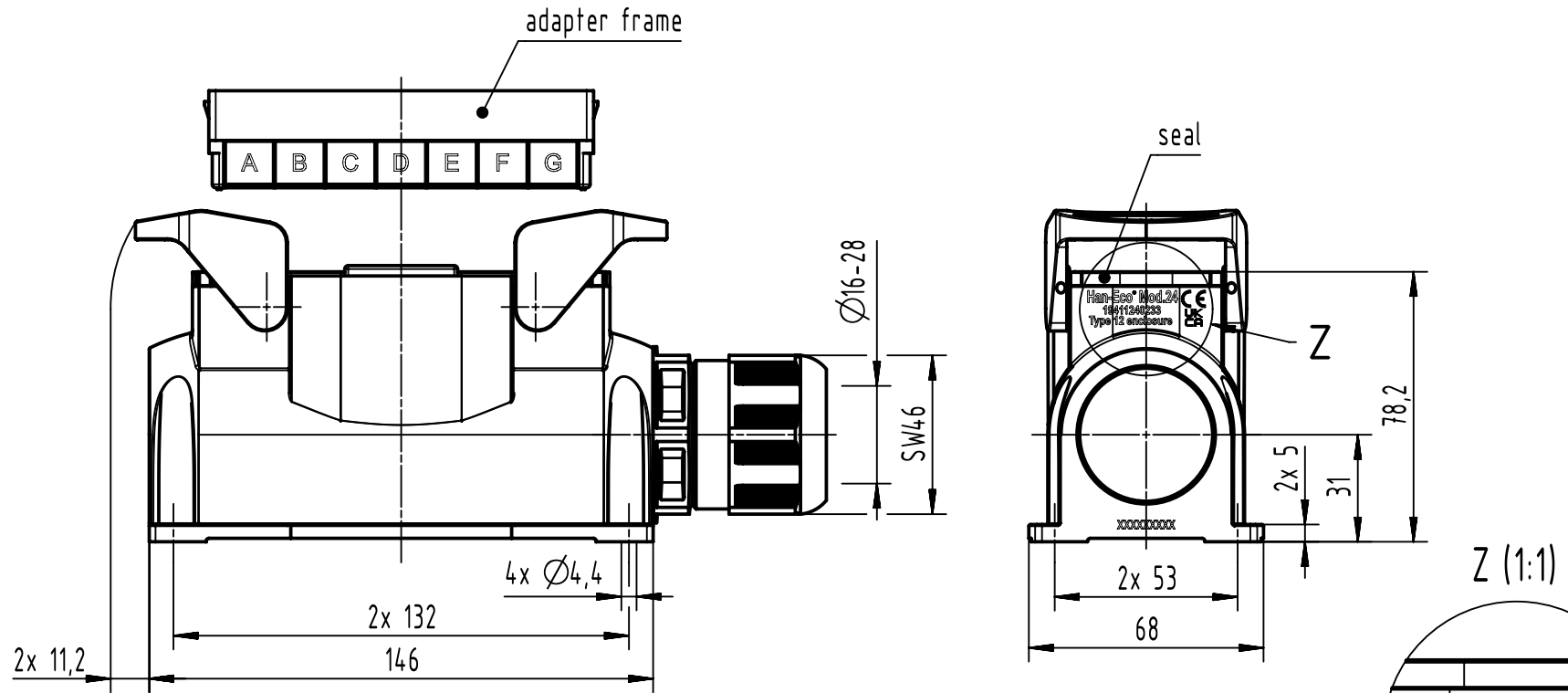


A

B

C

D



adapter frame and cable gland enclosed separately

	All Dimensions in mm Original Size DIN A4		Scale 1:2	Free size tol.		Ref.	
						Sub.	
	All rights reserved		Created by HOLLERT	Inspected by SCHNIEDER	Standardisation	Date 2023-11-16	
	Department EL PD					State Final Release	
HARTING			Title Han-Eco Mod.24-HSM1-M40-glanded			Doc-Key / ECM-Nr. 100222556/UGD/006/G 500000257738	
D-32339 Espelkamp			Type TB	Number 19 41 124 0233			
						Rev. G	Page 1/1