

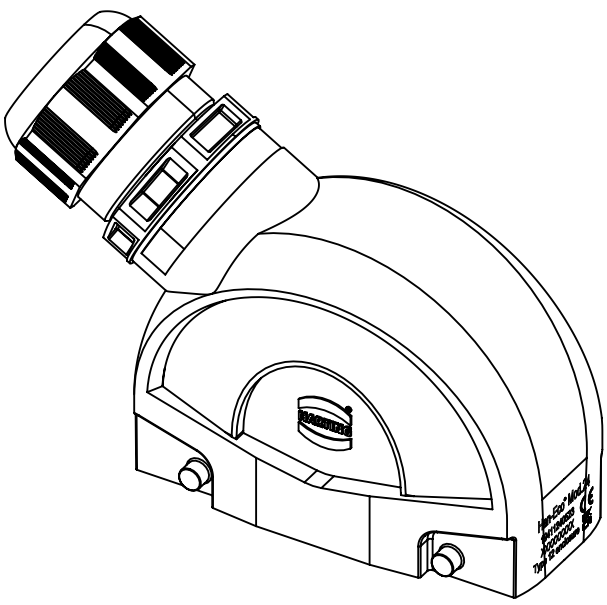
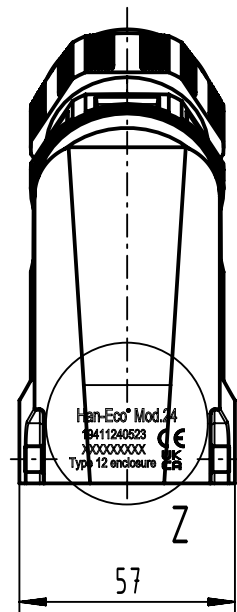
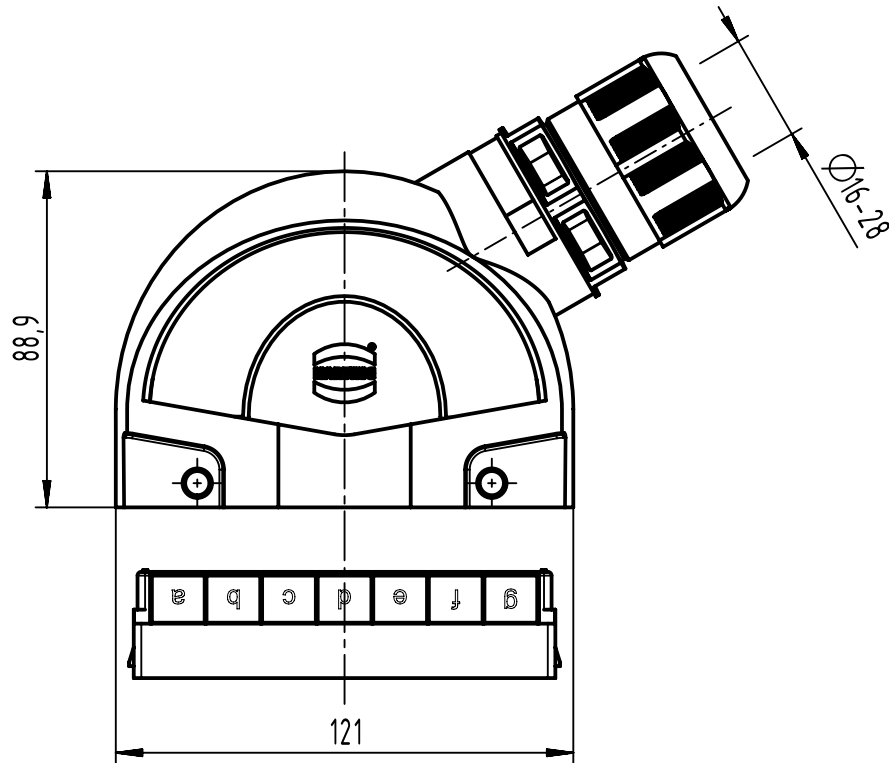
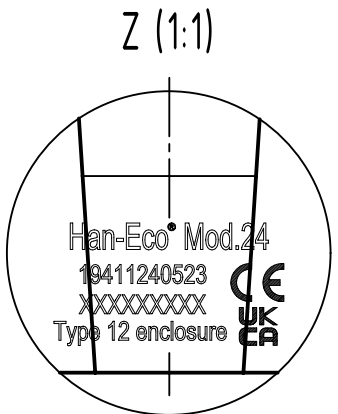
1 2 3 4 5 6

A

B

C

D



	All Dimensions in mm Original Size DIN A4		Scale 1:2	Free size tol.		Ref.		
						Sub.		
	All rights reserved		Created by HOLLERT	Inspected by SCHNIEDER	Standardisation	Date 2023-11-20	State Final Release	
	Department EL PD		Title Han-Eco Mod.24-HSE-M40-glanded				Doc-Key / ECM-Nr. 100186824/UGD/008/C 500000257987	
HARTING D-32339 Espelkamp			Type TB	Number 19 41 124 0523			Rev. C	Page 1/1