

1 2 3 4 5 6

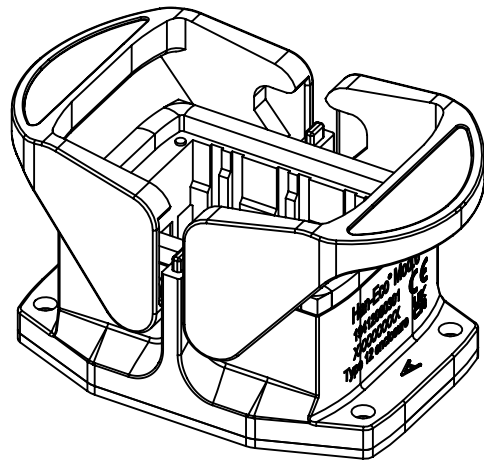
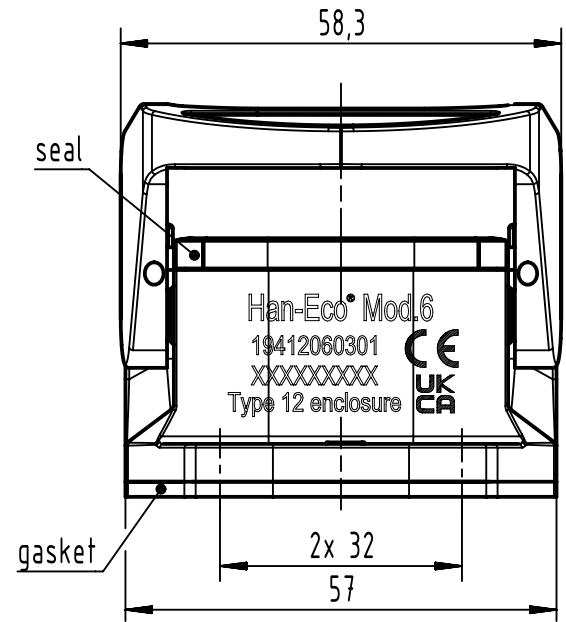
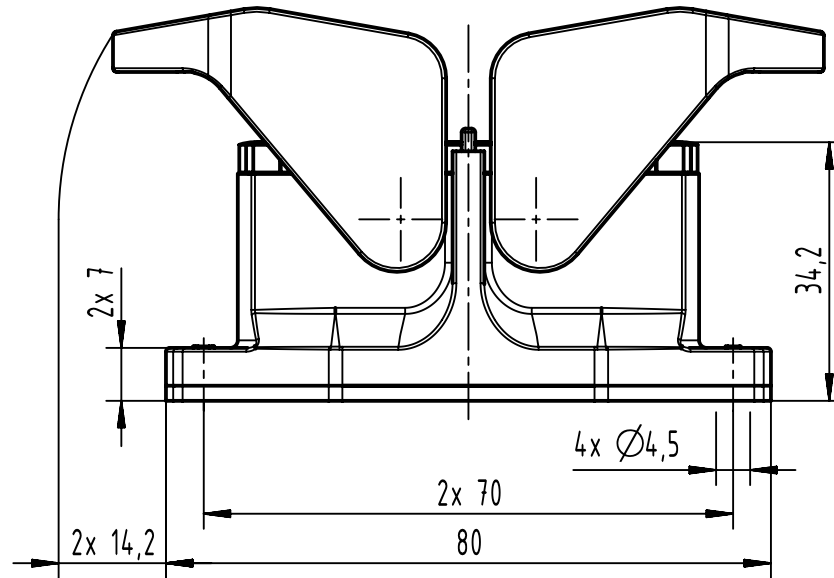
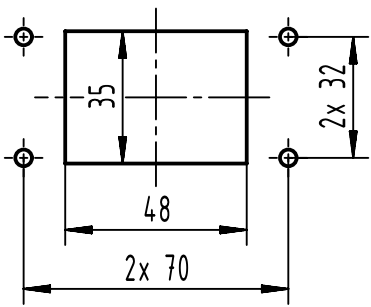
A

B

C

D

panel cut out (1:2)



	All rights reserved Department EL PD	All Dimensions in mm Original Size DIN A4		Scale 1:1	Free size tol.	Ref.
		Created by HOLLERT	Inspected by SCHNIEDER	Standardisation	Date 2023-10-23	State Final Release
HARTING D-32339 Espelkamp		Title Han-Eco Mod.6 Outd.-HBM			Doc-Key / ECM-Nr. 100186482/UGD/006/E 500000255921	
		Type TB	Number 19 41 206 0301		Rev. E	Page 1/1