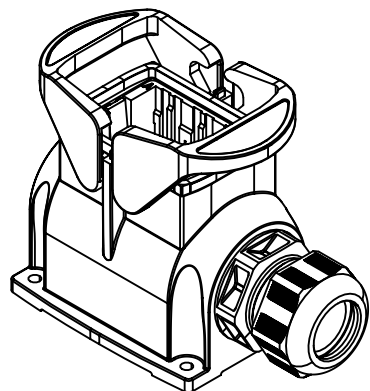
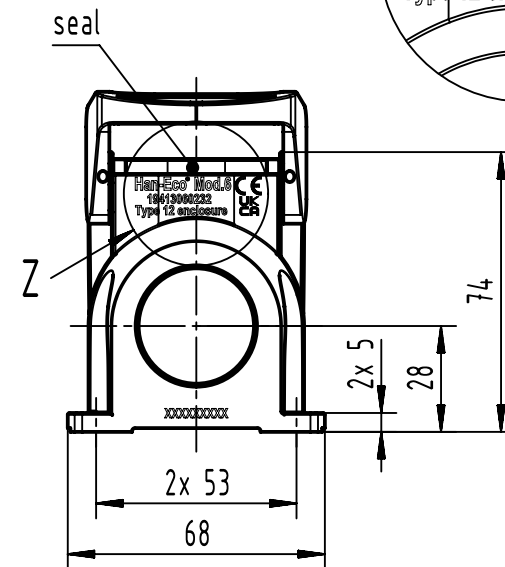
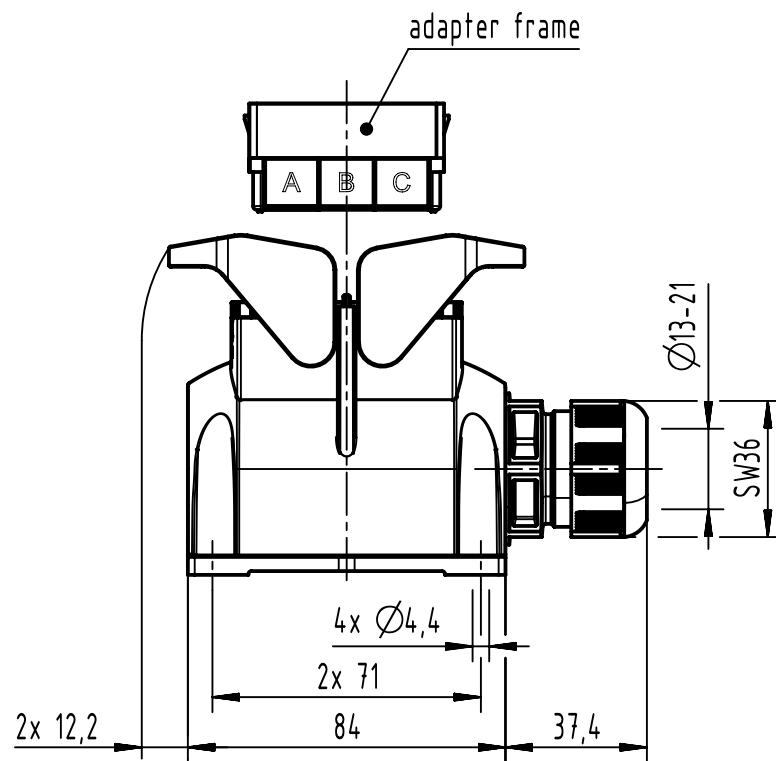
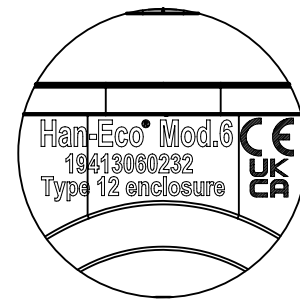


Z (1:1)



adapter frame and cable gland are enclosed

	All rights reserved Department EL PD	All Dimensions in mm Original Size DIN A4		Scale 1:2	Free size tol.	Ref.	
		Created by HOLLERT	Inspected by SCHNIEDER	Standardisation	Date 2023-10-23	State Final Release	
HARTING D-32339 Espelkamp		Title Han-Eco Mod.6 Outd.-HSM1-M32-glanded				Doc-Key / ECM-Nr. 100222553/UGD/008/H 500000255784	
		Type TB	Number 19 41 306 0232			Rev. H	Page 1/1