

1 2 3 4 5 6

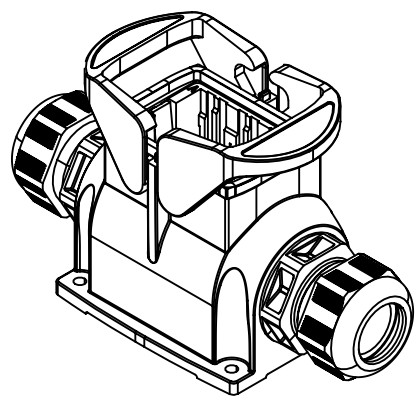
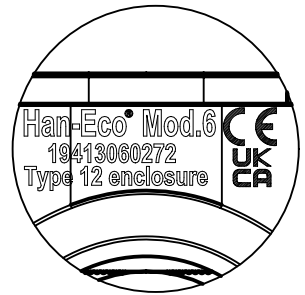
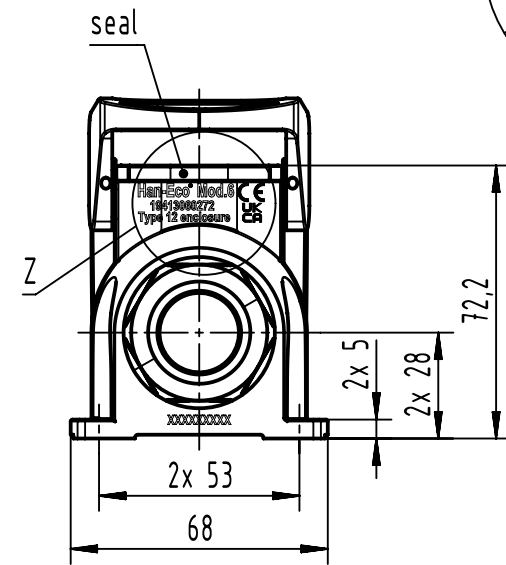
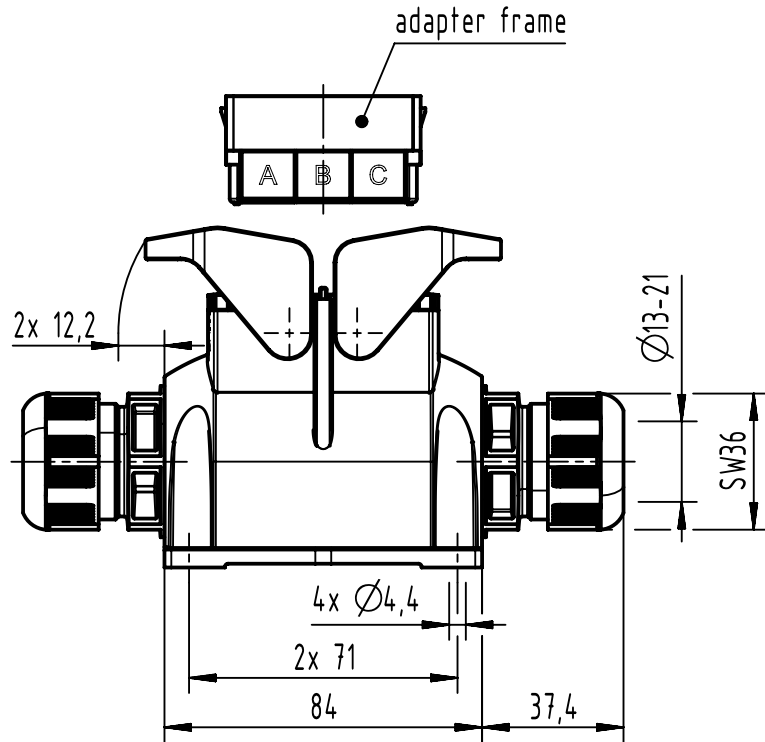
A

B

C

D

Z (1:1)



adapter frame and cable glands are enclosed

	All Dimensions in mm Original Size DIN A4		Scale 1:2	Free size tol.		Ref.		
						Sub.		
	All rights reserved		Created by HOLLERT	Inspected by SCHNIEDER	Standardisation	Date 2023-10-23	State Final Release	
	Department EL PD		Title Han-Eco Mod.6 Outd.-HSM2-M32-glanded				Doc-Key / ECM-Nr. 100222554/UGD/006/H 500000255784	
HARTING D-32339 Espelkamp			Type TB	Number 19 41 306 0272			Rev. H	Page 1/1