

1 2 3 4 5 6

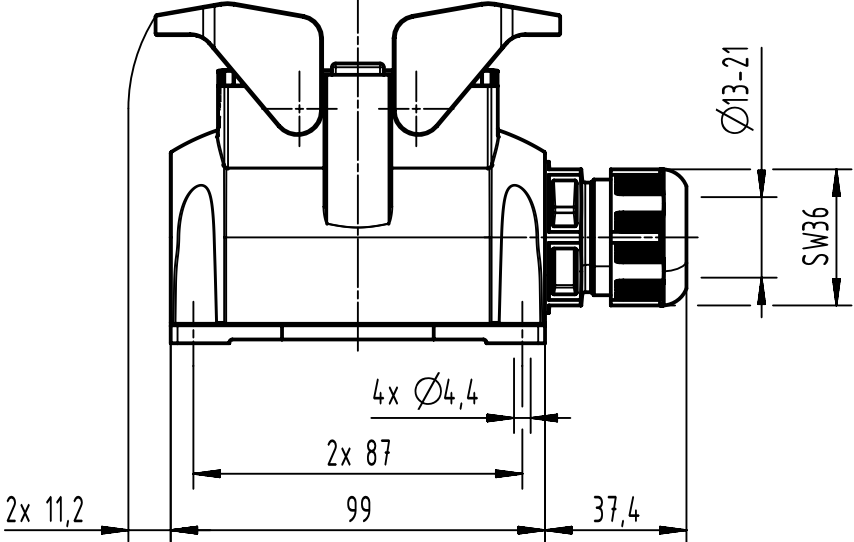
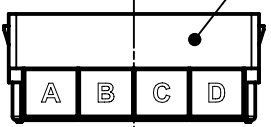
A

B

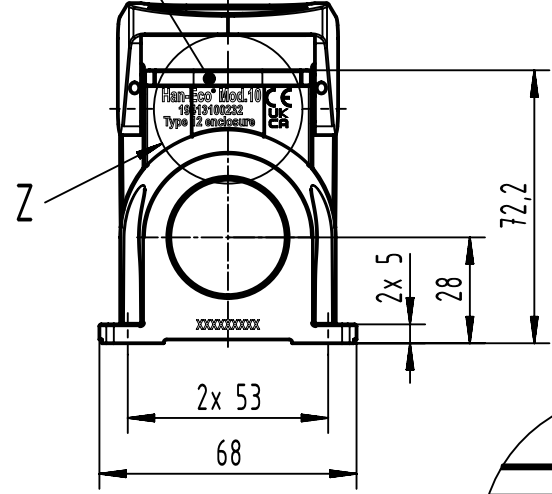
C

D

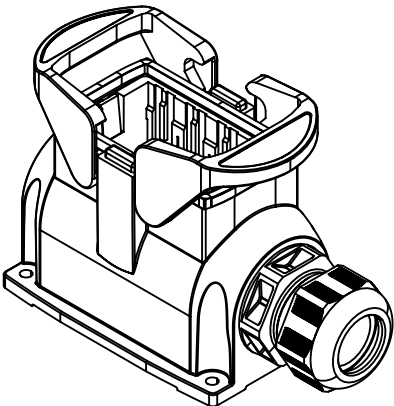
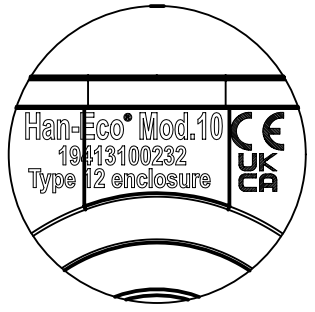
adapter frame



seal



Z (1:1)



adapter frame and cable gland are enclosed

	All rights reserved Department EL PD	All Dimensions in mm Original Size DIN A4		Scale 1:2	Free size tol.	Ref. Sub.	
		Created by HOLLERT	Inspected by SCHNIEDER	Standardisation	Date 2023-10-16	State Final Release	
HARTING D-32339 Espelkamp		Title Han-Eco Mod.10 Outd.-HSM1-M32-glanded				Doc-Key / ECM-Nr. 100222555/UGD/008/H 500000255544	
		Type TB	Number 19 41 310 0232			Rev. H	Page 1/1