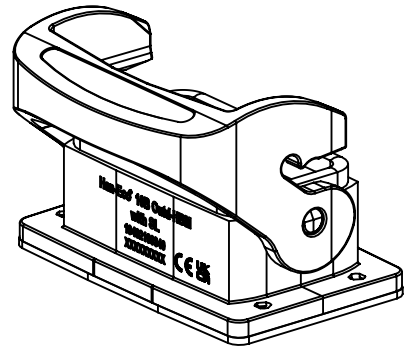
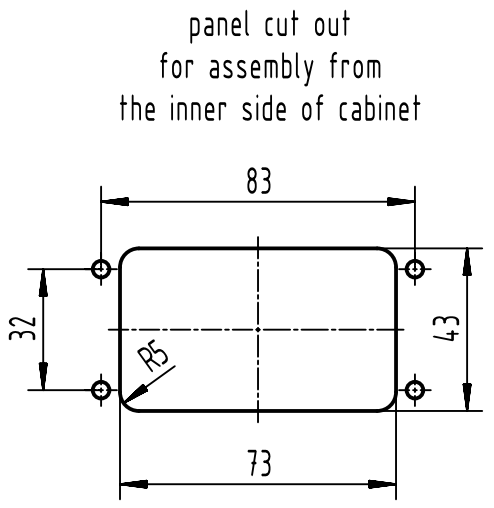
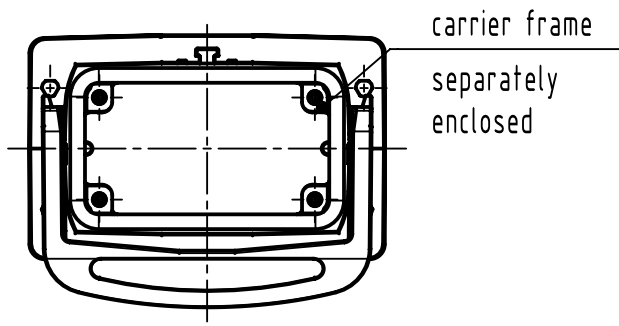
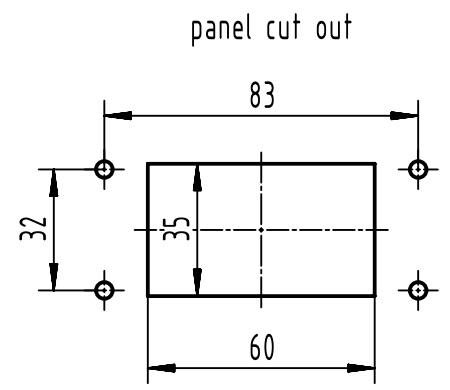
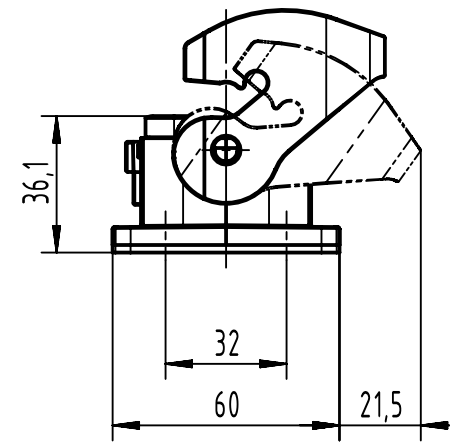
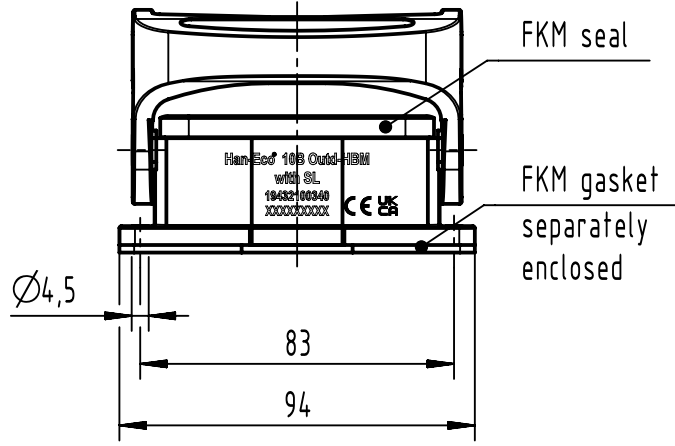


1 2 3 4 5 6

A
B
C
D



	All rights reserved Department EL PD	All Dimensions in mm Original Size DIN A4		Scale 1:2	Free size tol.	Ref. Sub.
		Created by SPRENB	Inspected by HERBRECHTSME	Standardisation	Date 2023-06-22	State Final Release
HARTING D-32339 Espelkamp		Title Han-Eco 10B Outd-HBM-with SL			Doc-Key / ECM-Nr. 100742551/UGD/001/C 500000244.066	
		Type TB	Number 19 43 210 0340		Rev. C	Page 1/1