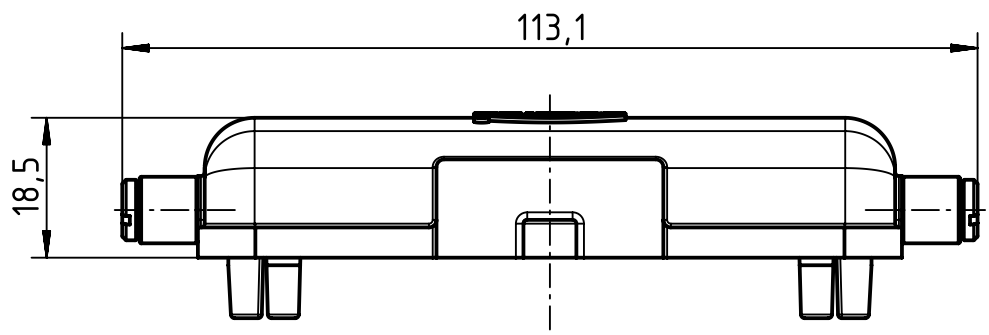
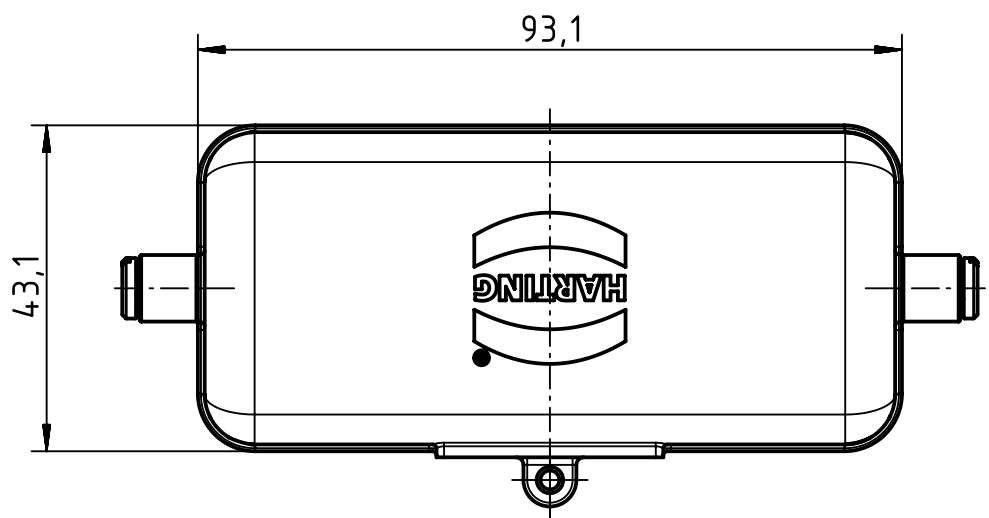


1 2 3 4 5 6

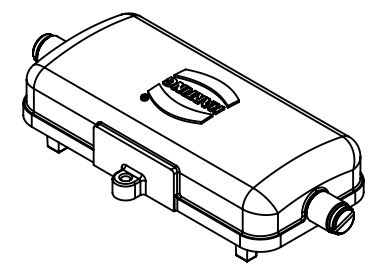
A



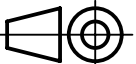

B



C



D

	All Dimensions in mm Original Size DIN A4		Scale 1:1	Free size tol.		Ref. Sub. TB 19 44 310 5421 f. 2011-06-08	
		All rights reserved	Created by RULLKOETTER	Inspected by GERB	Standardisation RUETERA	Date 2019-04-29	State Final Release
Department EL PD		Title Protect cover Han-INOX f hous. bulkhead				Doc-Key / ECM-Nr. 100197571/UGD/005/A 500000150906	
HARTING Electric GmbH & Co. KG D-32339 Espelkamp		Type TB	Number 19 44 310 5421			Rev. A	Page 1/1