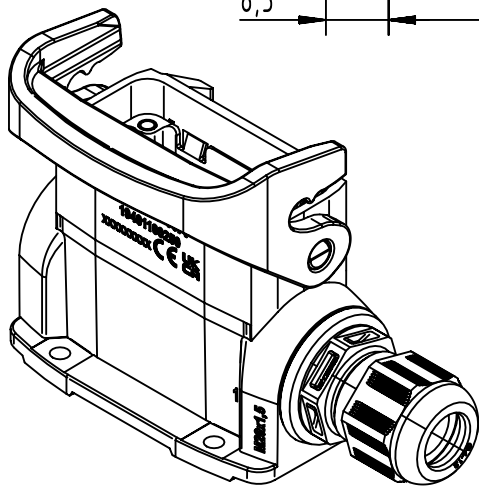


Han-Eco<sup>®</sup>10A  
19461100250  
XXXXXXXXXX CE UK

- ① tightening torque max. 4Nm
- ② tightening torque max. 3Nm



	All Dimensions in mm Original Size DIN A4		Scale 1:1	Free size tol.		Ref.	
			Created by MOELLERLI	Inspected by SCHNIEDER	Standardisation	Date 2023-07-25	State Final Release
All rights reserved Department EL PD		Title Han-Eco 10A-HSM1-M20 w. cable gl.				Doc-Key / ECM-Nr. 100602269/UGD/001/F 500000250449	
HARTING D-32339 Espelkamp		Type TB	Number 19 46 110 0250			Rev. F	Page 1/1