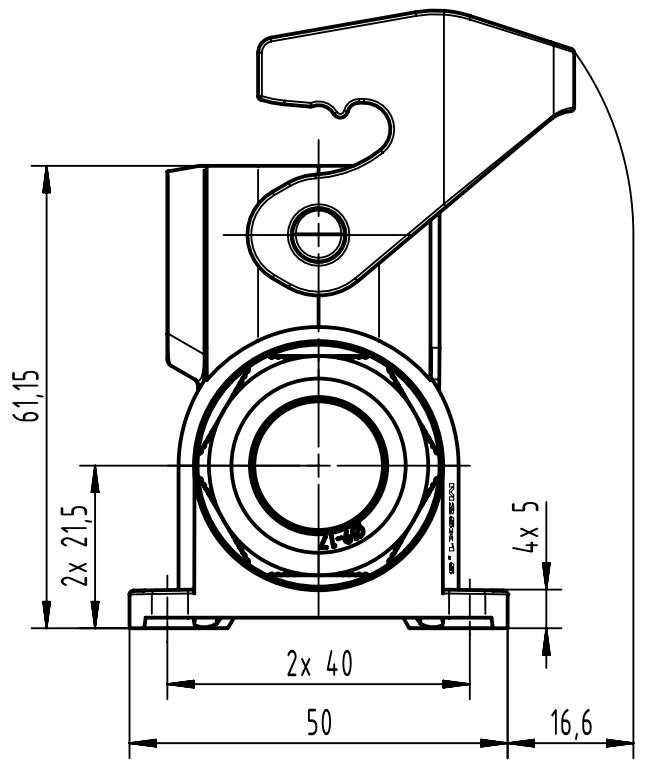
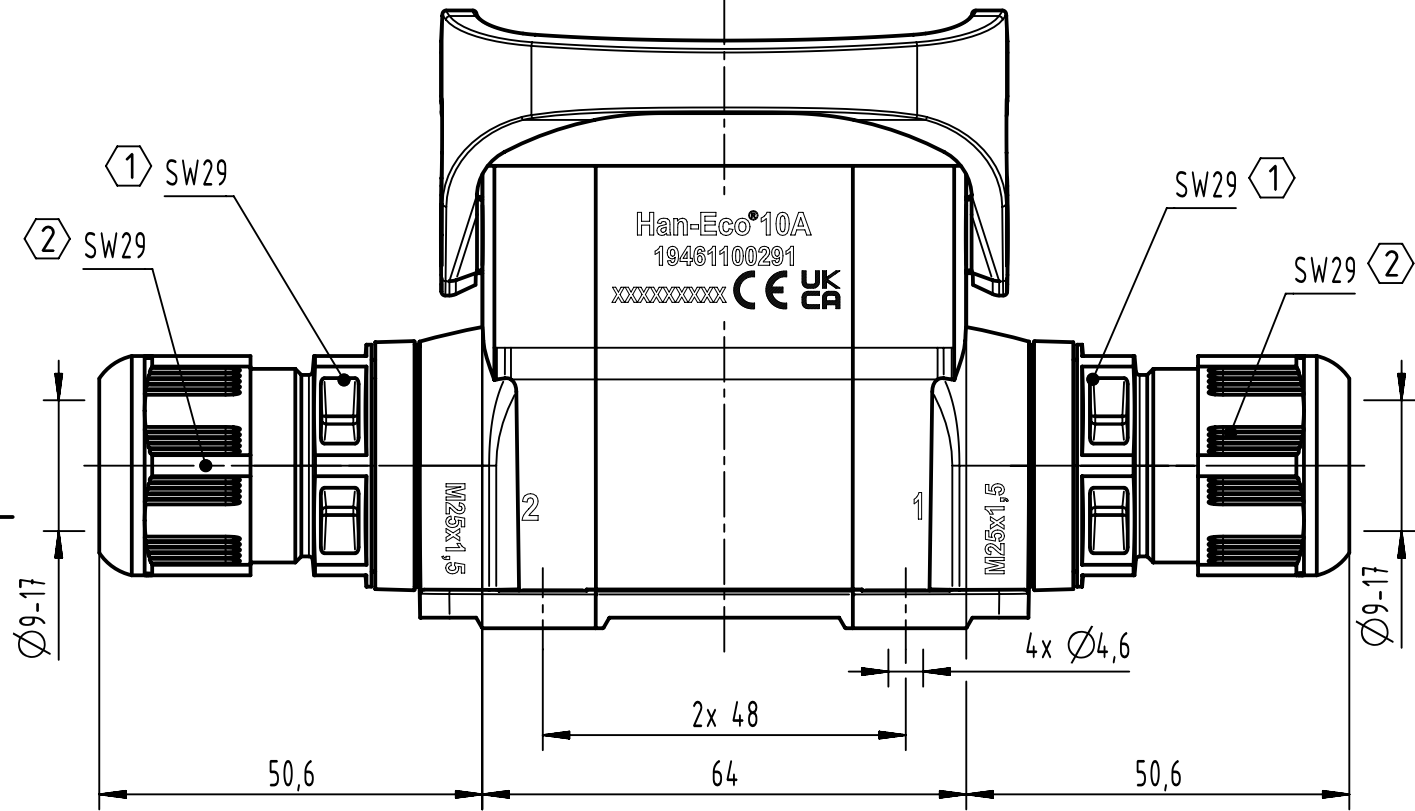
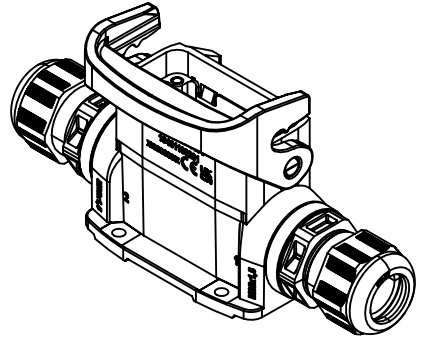

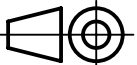



Han-Eco[®]10A
 19461100291
 xxxxxxxx **CE** **UK**



- ① tightening torque max. 10Nm
- ② tightening torque max. 4Nm



	All rights reserved		Created by MOELLERLI		Inspected by SCHNIEDER		Standardisation		Date 2023-07-25		State Final Release	
	Department EL PD		Title Han-Eco 10A-HSM2-M25 w. cable gl.		Number 19 46 110 0291		Doc-Key / ECM-Nr. 100602304 / UGD / 001 / G 500000250449		Rev. G		Page 1/1	
		All Dimensions in mm Original Size DIN A4		Scale 1:1		Free size tol.		Ref.		Sub.		
		D-32339 Espelkamp										