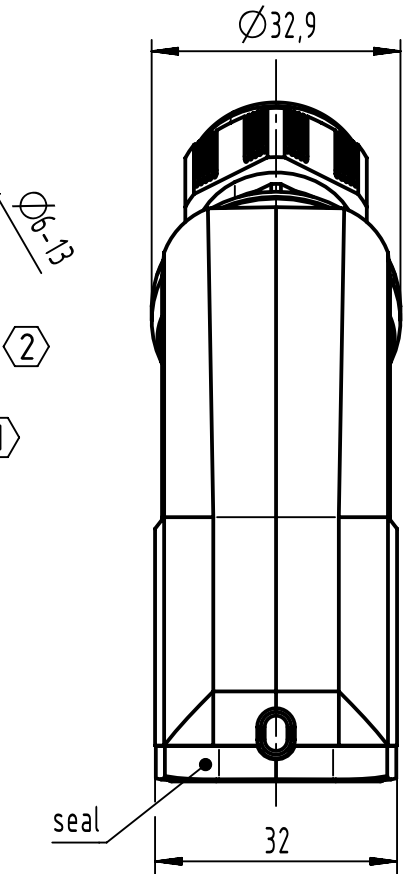


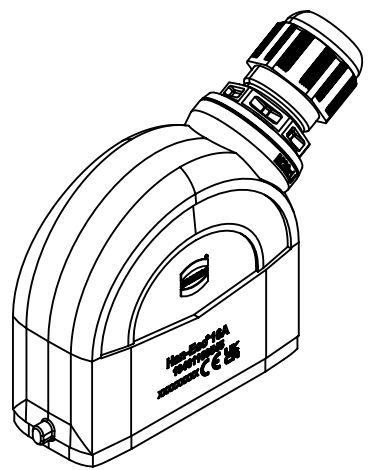
75,95

Han-Eco® 16A  
19461160545  
XXXXXXXXX CE UK

89,1



- ① tightening torque max. 4Nm
- ② tightening torque max. 3Nm



	All Dimensions in mm Original Size DIN A4		Scale 1:1	Free size tol.		Ref.
						Sub.
	All rights reserved		Created by MOELLERLI	Inspected by SCHNIEDER	Standardisation	Date 2023-07-24
	Department EL PD					State Final Release
HARTING D-32339 Espelkamp			Title Han-Eco 16A-HSE-M20 w. cable gl.			Doc-Key / ECM-Nr. 100602495/UGD/001/D 500000250469
			Type TB	Number 19 46 116 0545		Rev. D Page 1/1