

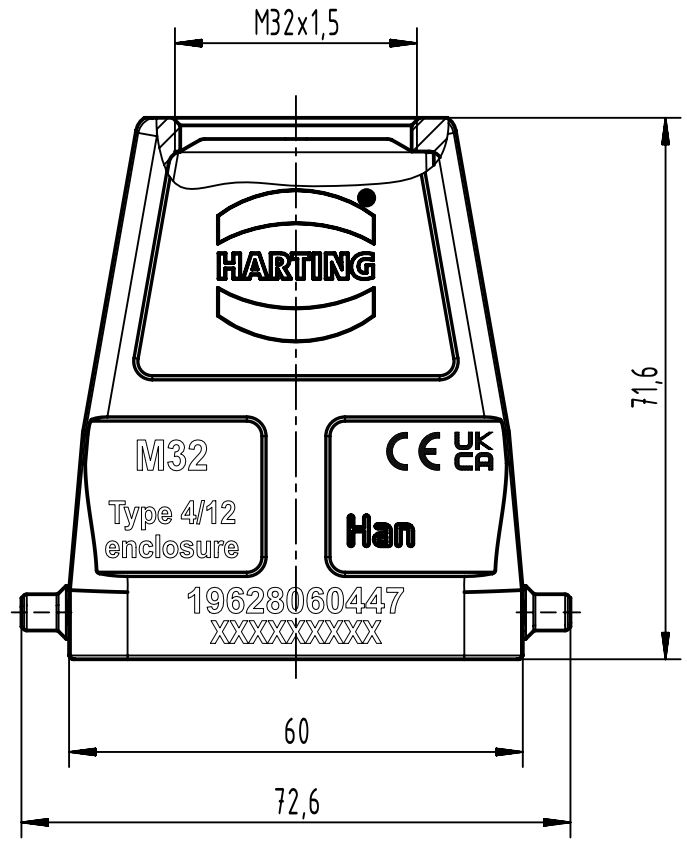
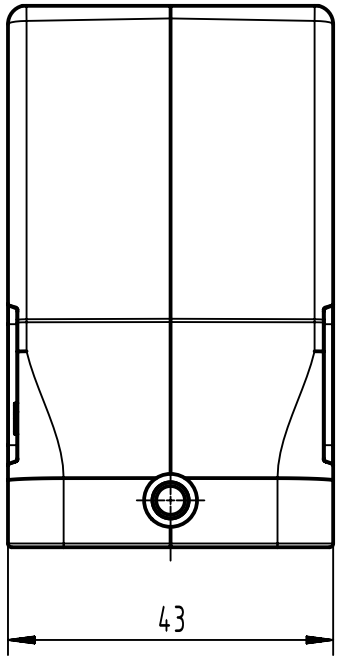
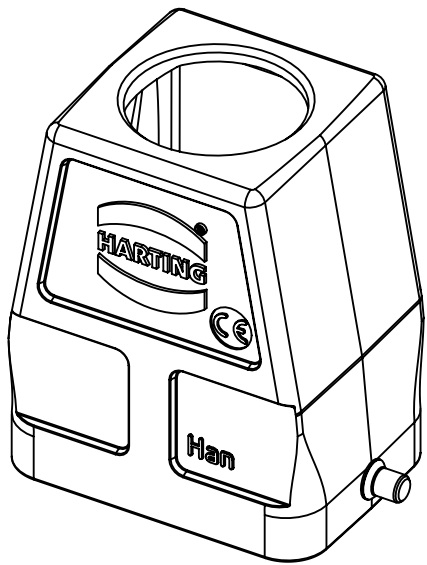
1 2 3 4 5 6

A

B

C

D



	All Dimensions in mm Original Size DIN A4		Scale 1:1	Free size tol.		Ref.
						Sub.
	All rights reserved		Created by SPRENB	Inspected by GERB	Standardisation	Date 2023-07-12
	Department EL PD					State Final Release
HARTING			Title Han 6EMC/B-HTE-M32 (HT)			Doc-Key / ECM-Nr. 10009214.0/UGD/005/F 50000024.9115
D-32339 Espelkamp			Type TB	Number 19 62 806 0447		
						Rev. F
						Page 1/1