

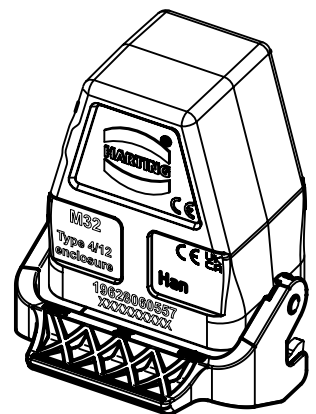
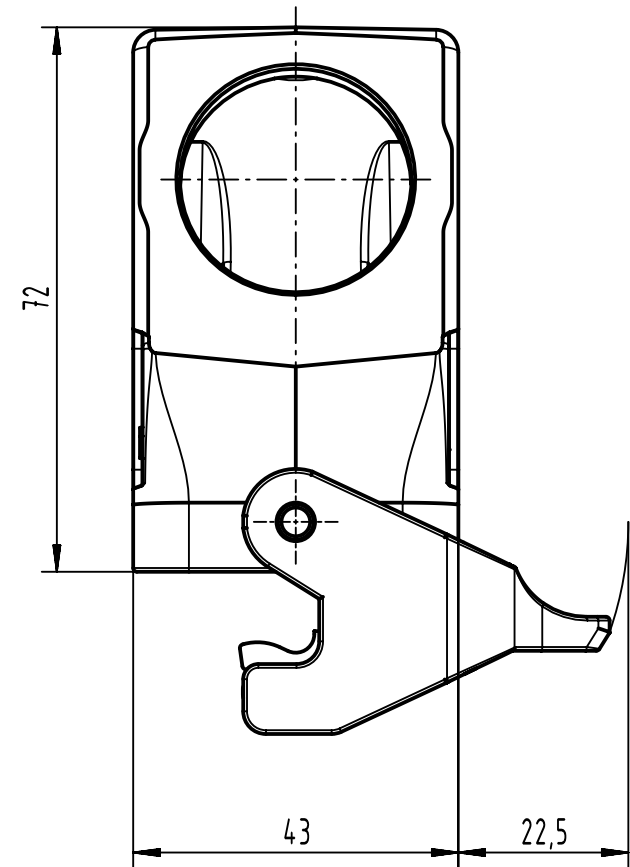
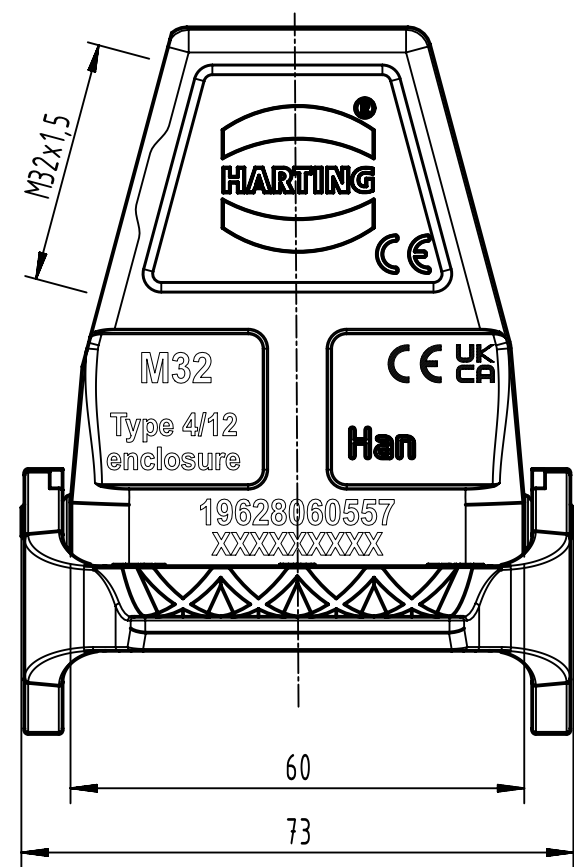
1 2 3 4 5 6

A

B

C

D



	All Dimensions in mm Original Size DIN A4		Scale 1:1	Free size tol.		Ref.
			Created by SPRENB	Inspected by GERB	Standardisation	Sub.
All rights reserved Department EL PD		Title Han 6EMC/B-HSE-M32-w. SL		Date 2023-08-08		State Final Release
HARTING D-32339 Espelkamp		Type TB		Number 19 62 806 0557		Doc-Key / ECM-Nr. 100773363/UGD/005/E 500000251169
					Rev. E	Page 1/1