

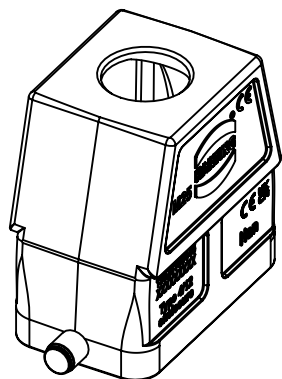
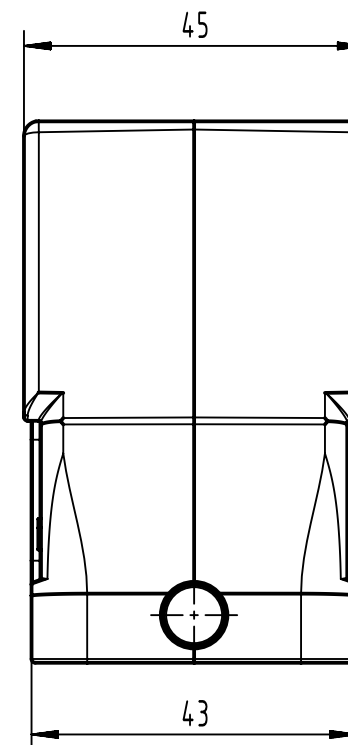
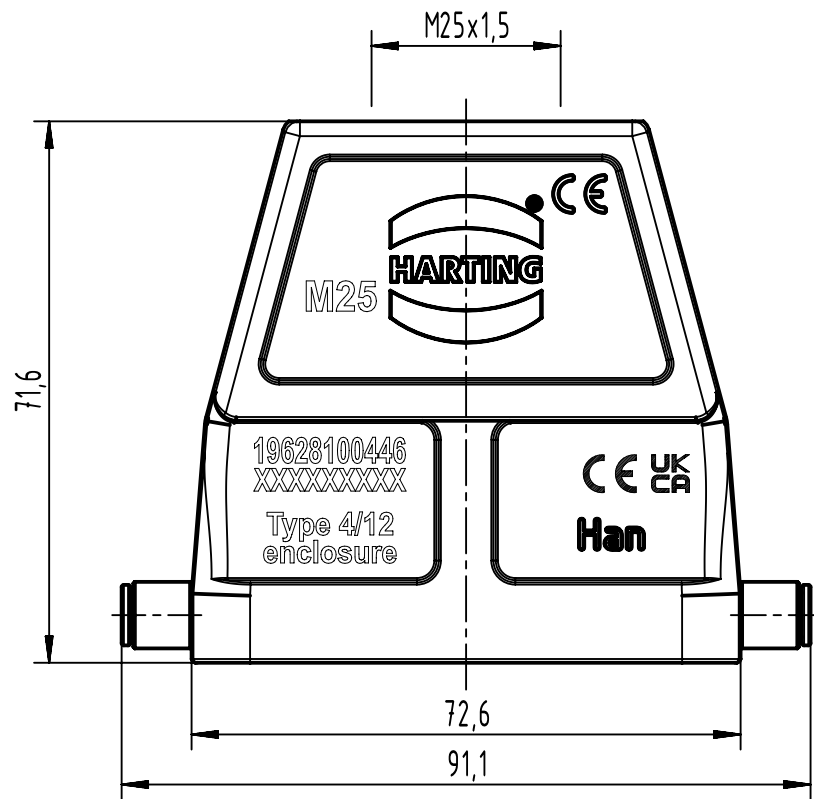
1 2 3 4 5 6

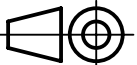

A

B

C

D



|   |  |  |                               |                          |                 |                    |  |             |
|---|--|--|-------------------------------|--------------------------|-----------------|--------------------|--|-------------|
|  | All Dimensions in mm<br>Original Size DIN A4 |  | Scale<br>1:1                  | Free size tol.           |                 | Ref.               |  |             |
|   |  |  |                               |                          |                 | Sub.               |  |             |
|  | All rights reserved                          |  | Created by<br>SPRENB          | Inspected by<br>GERB     | Standardisation | Date<br>2023-07-12 | State<br>Final Release                                   |             |
|   | Department EL PD                             |  | Title<br>Han 10EMV/B-gg-R-M25 |                          |                 |                    | Doc-Key / ECM-Nr.<br>100230078/UGD/002/F<br>500000248344 |             |
| HARTING<br>D-32339 Espelkamp  |  |  | Type<br>TB                    | Number<br>19 62 810 0446 |                 |                    | Rev.<br>F  | Page<br>1/1 |