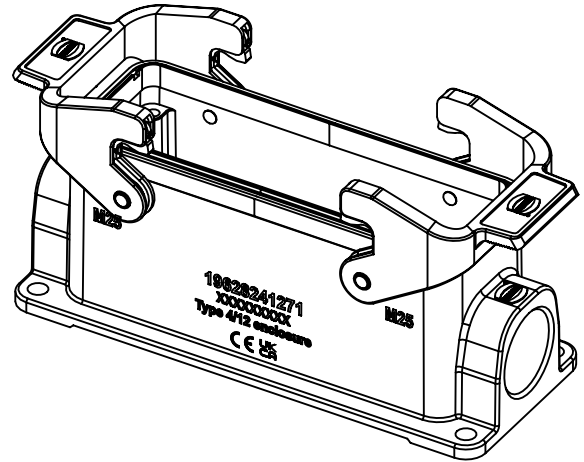


19628241271
XXXXXXXXXX
Type 4/12 enclosure



	All Dimensions in mm Original Size DIN A4		Scale 1:1	Free size tol.		Ref.
						Sub.
	All rights reserved		Created by SPRENB	Inspected by GERB	Standardisation	Date 2023-09-07
	Department EL PD					State Final Release
HARTING D-32339 Espelkamp			Title Han 24EMC/B-HSM-2xM25-DL			Doc-Key / ECM-Nr. 100126223/UGD/006/E 500000251416
			Type TB	Number 19 62 824 1271		Rev. E
						Page 1/1