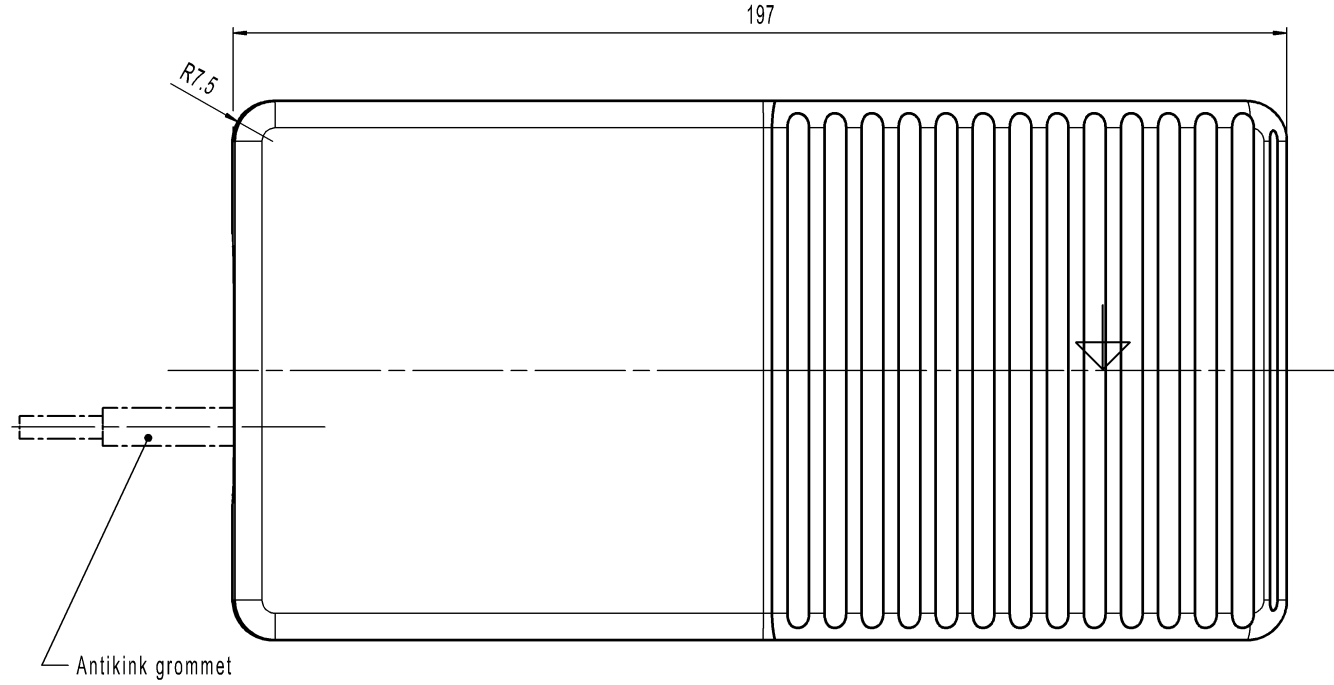
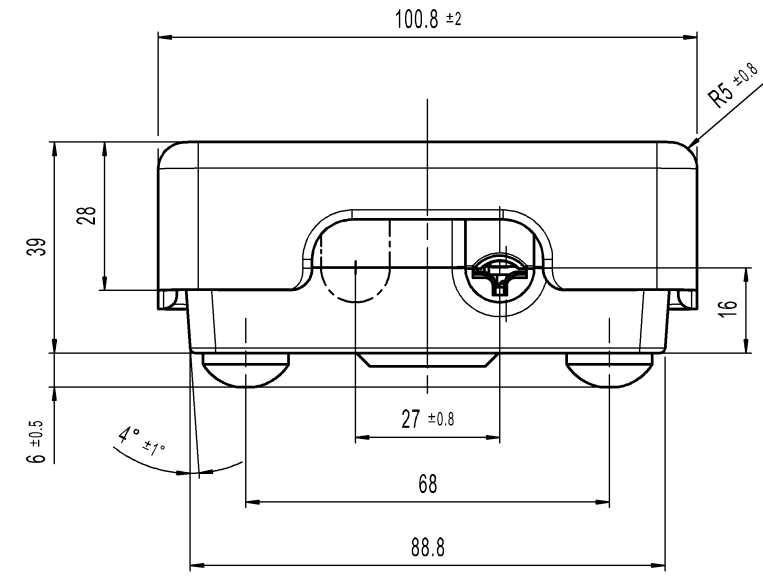
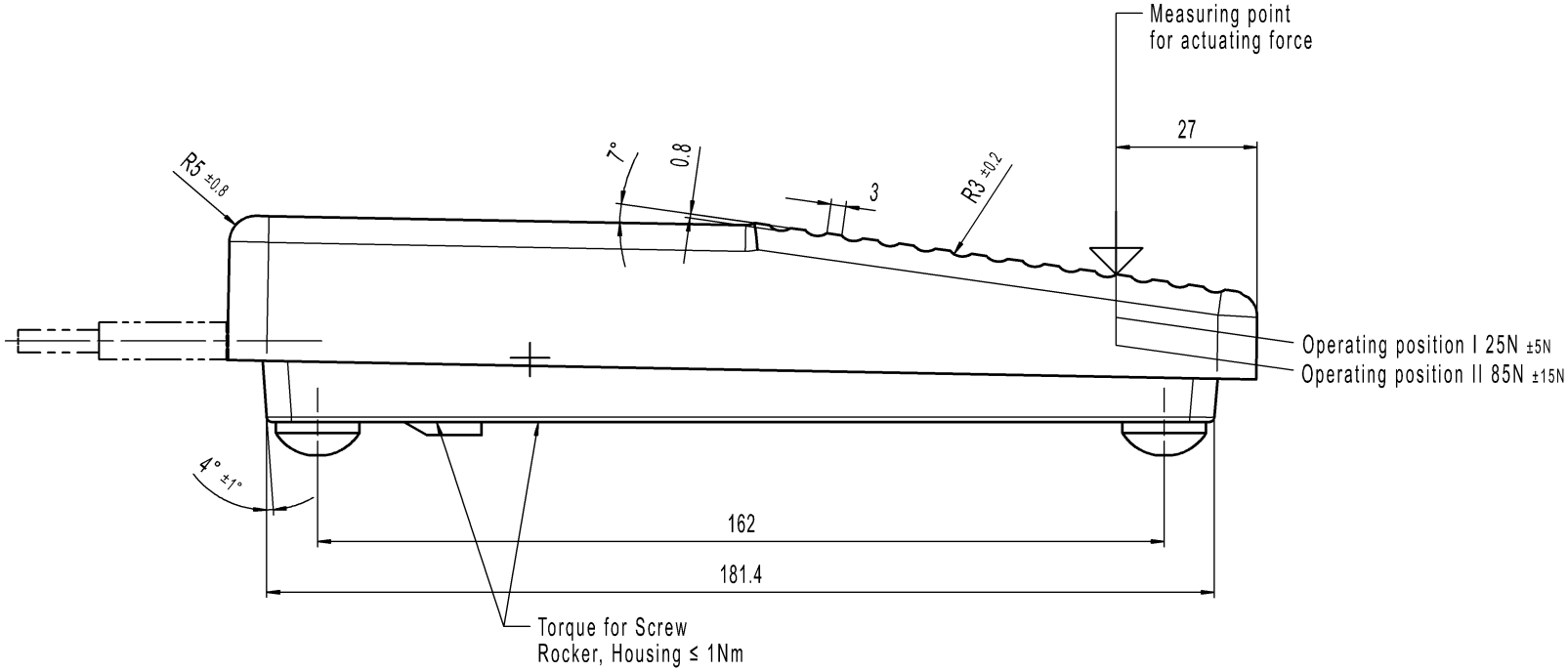


THIS DRAWING IS THE EXCLUSIVE PROPERTY OF MARQUARDT. REPRODUCTION WITHOUT THEIR CONSENT MAY NOT BE REPRODUCED OR GIVEN TO THIRD PARTIES.

CONFIDENTIAL

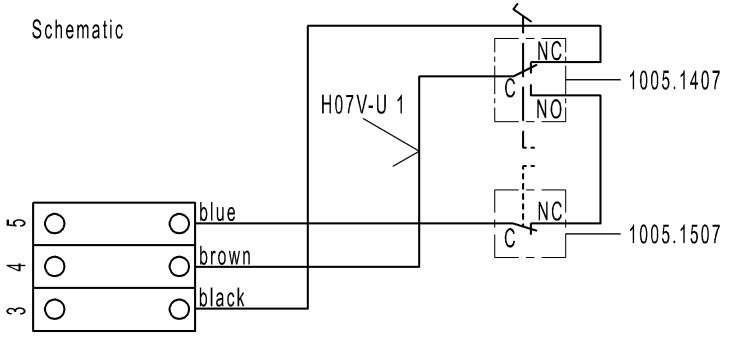
VERTRAULICH

Alle Rechte bei Marquardt, auch hier den Fall von Schutzrechtsverletzungen. Jede Veräußerung, Belegs, wie Kopier- und Weitergaberecht, bei uns.



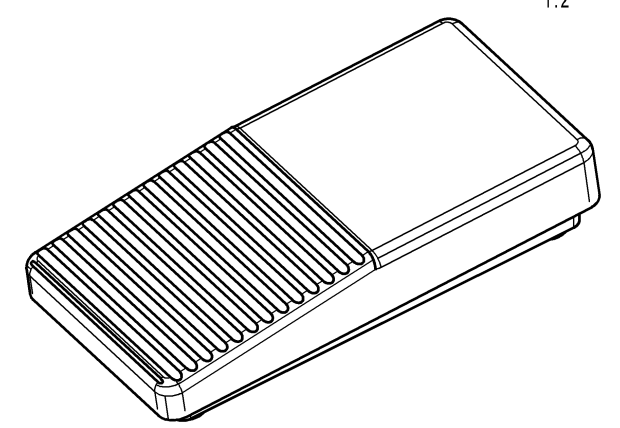
Upper part and bottom part
Material: Polyamide
Color: black, similar RAL 9011

Operating position I (Measured at start position) ≈ 2.3mm
Operating position II (Measured at start position) ≈ 8mm
Measured at outer edge of upper part



Single pole change-over
Single pole normally closed

Marking
© MARQUARDT
2410.0101 μ
6(2.5)/250-50E3



Schematic

-		-		2410.0101-XX	
Figure	Type	Customer No.	Art.No.-PI		
All dimensions are in millimetres	General tolerances				Sheet 01
	Shape and location	Angle	Edge tolerance	Length	Radii
⊙ ≡	± °	↙ ↘	0-6	± 0.15	±
			>6-15	± 0.1	±
			>15-30	± 0.1	±
			>30-70	± 0.15	±
			>70-120	± 0.2	±
			>120	± 0.25	±
k	131778	2020-11-05	THAKARES		
j	41282	2004-10-21	BZ		
i	30220	2000-09-27	PFU		
h	23889	1996-05-08	MOO		
Index	MEC-No.	Date (YYYY-MM-DD)	Edited by		
		System NX V11.0		Ident. K	Document number 24100101
		Replacement of Zg.gl.Nr.v.26.04.1994		Index k	
				Foot Pressure Switch	
				MARQUARDT	