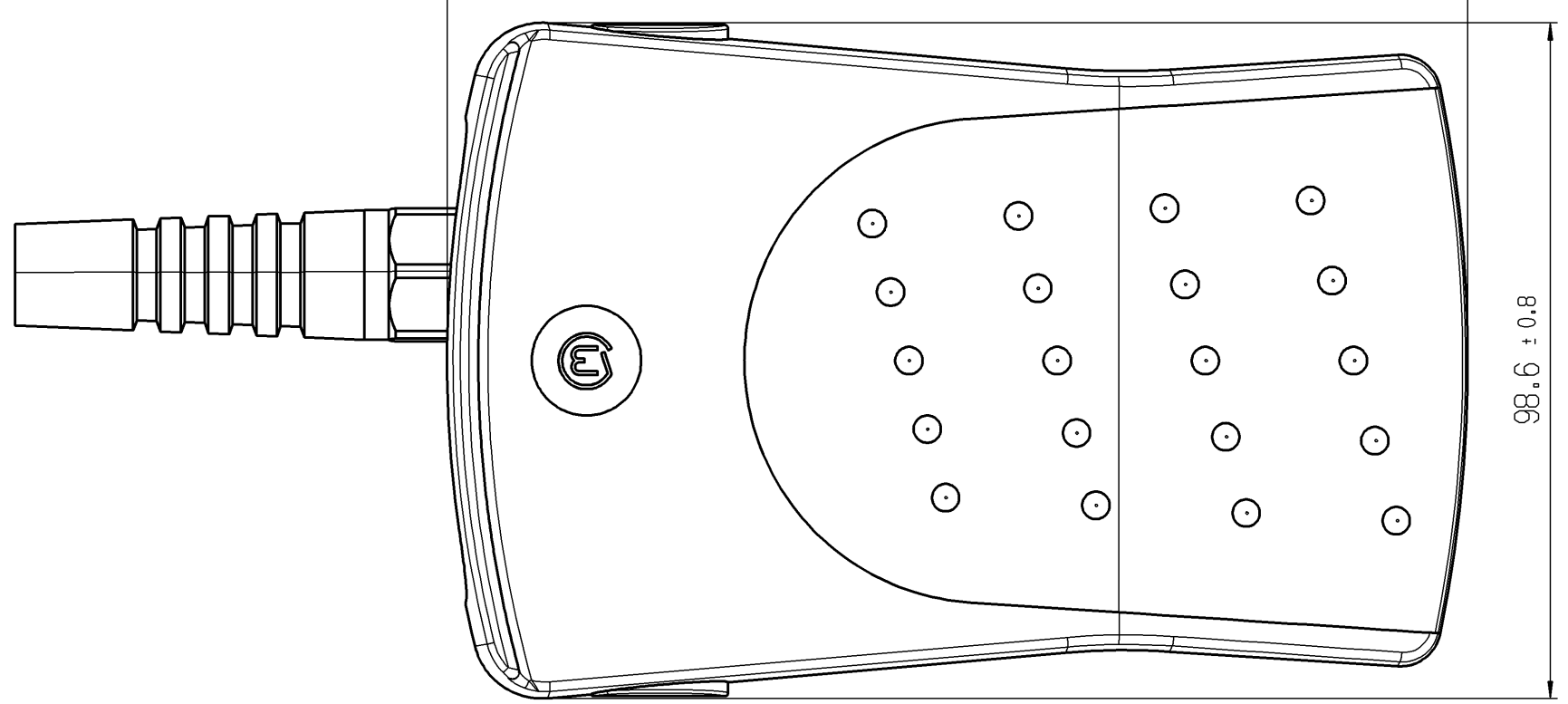
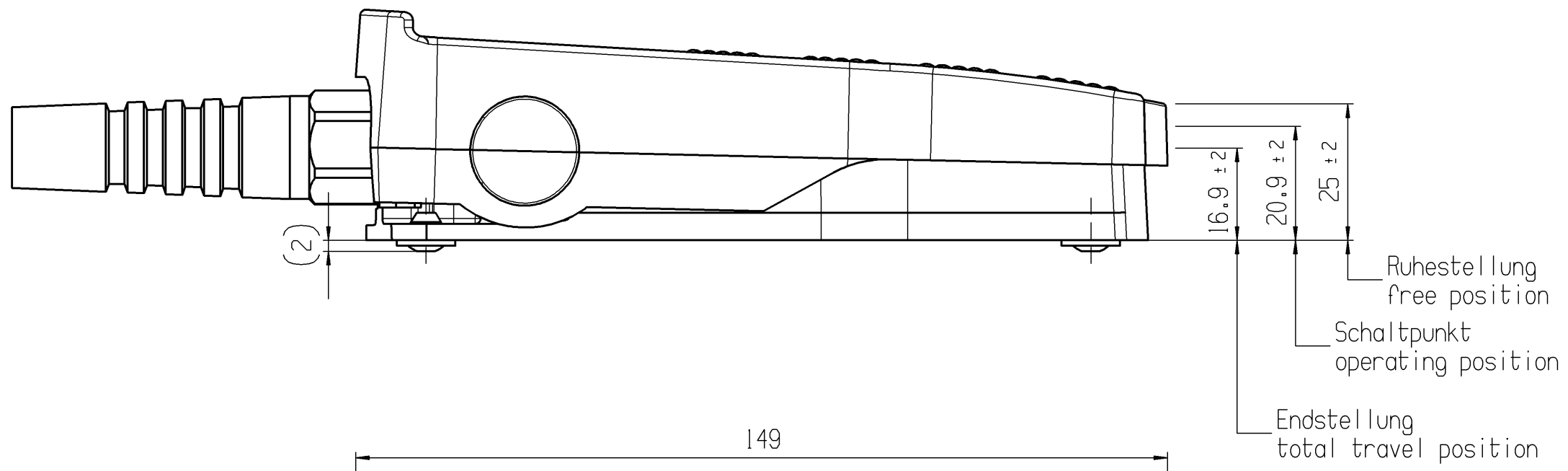


THIS DRAWING IS THE EXCLUSIVE PROPERTY OF MARQUARDT. WITHOUT THEIR CONSENT IT MAY NOT BE REPRODUCED OR GIVEN TO THIRD PARTIES.

CONFIDENTIAL

VERTRAULICH

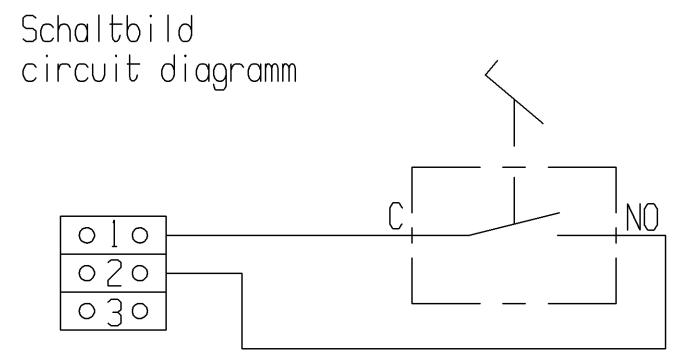
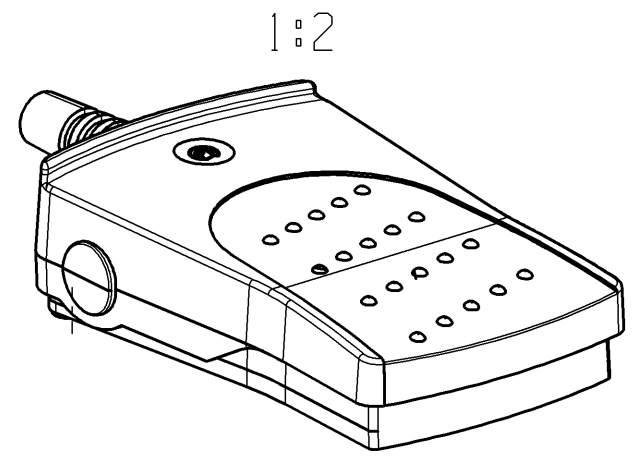
Alle Rechte bei Marquardt, auch fuer den Fall von Schutzrechtsanmeldungen. Jede Veruegungsbefugnis, wie Kopier- und Weitergaberecht, bei uns.



Aufschrift:
Marking:
 Ⓜ 2420.0101
 14(4) / 250 ~ μ 50E3
 10
 Herstellungsdatum:
 Hersteller/ -jahr/ -woche/ -tag
 nach Marquardt Standard
 Date code of manufacture:
 plant / year / week / day
 acc. to Marquardt standard

Kraft in Ruhstellung
force in free position 24 N ± 10 N
 Kraft an Schaltpunkt
force at operating position 30 N ± 10 N
 Kraft in Endstellung
force at total travel position 35 N ± 10 N

Beigelegte Bedienungsanleitung beachten
Please observe user manual for further information



-		-		-		2420.0101-XX				
Figure	Type					Customer No.	Art.No.-PI			
All dimensions are in millimetres	Shape and location	Angle	Edge tolerance	Length	Radii	Sheet 01	Ident. K	Document number 24200101	Index d	
				0-6	± 0.15					± 0.2
				>6-15	± 0.2					± 0.3
				>15-30	± 0.25					± 0.5
				>30-70	± 0.4					
>70-120	± 0.6	± 10%								
>120	± 0.8					Format DIN A3	Projection	Scale 1:1	Foot switch	
d	123519	2019-06-12	TRIGUIK		System NX V11.0					
c	74959	2011-08-25	FRT							
b	73342	2011-04-19	HHE							
a	71861	2011-02-01	FRT							
Index	MEC-No.	Date (YYYY-MM-DD)	Edited by		Replacement of V09111350					