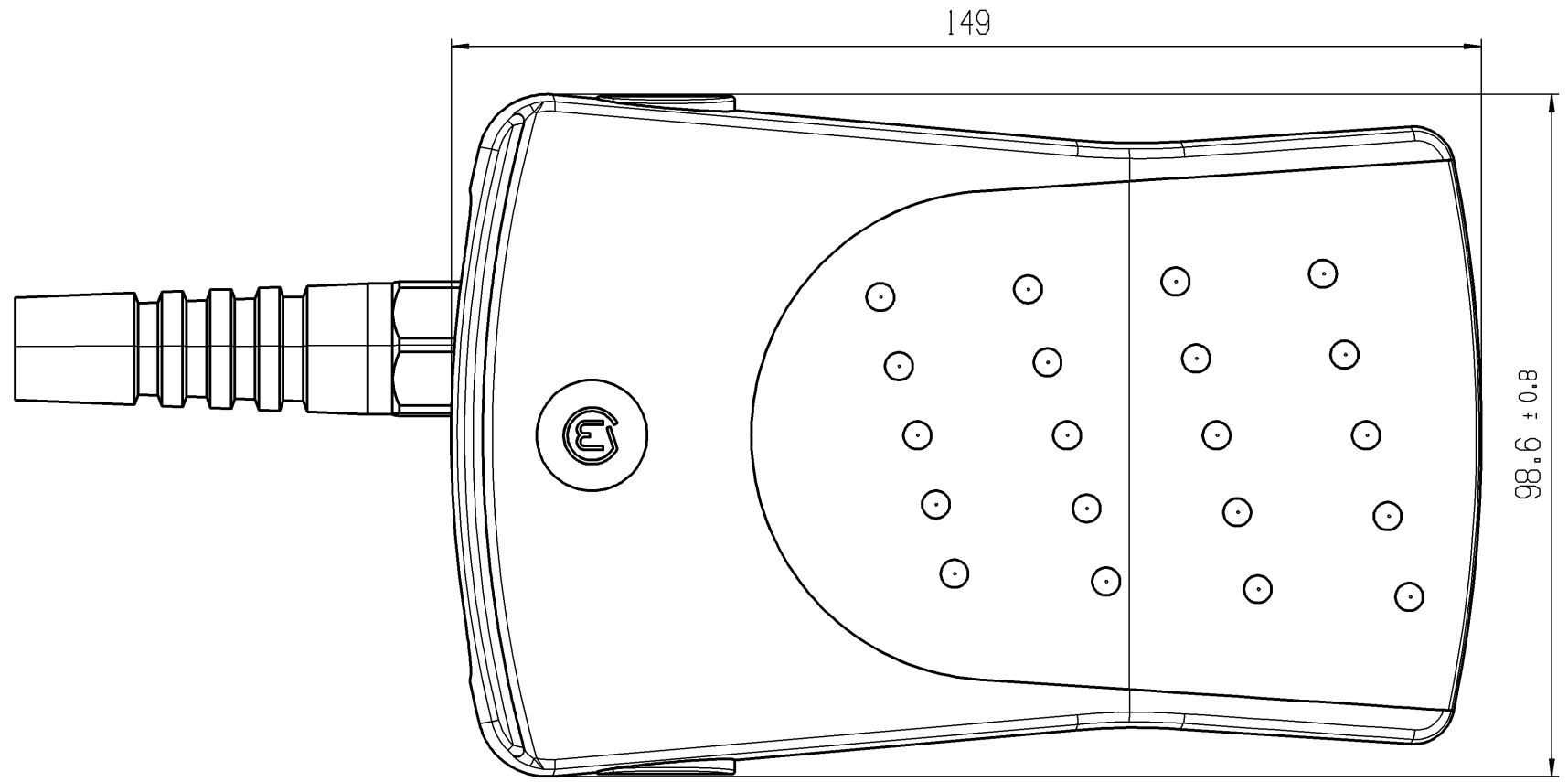
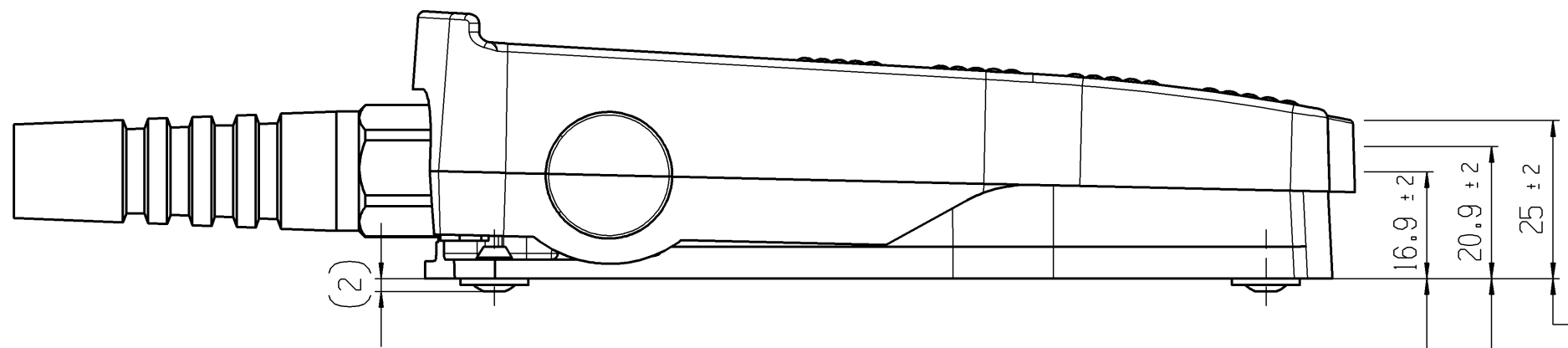


THIS DRAWING IS THE EXCLUSIVE PROPERTY OF MARQUARDT. WITHOUT THEIR CONSENT IT MAY NOT BE REPRODUCED OR GIVEN TO THIRD PARTIES.

CONFIDENTIAL

VERTRAULICH

Alle Rechte bei Marquardt, auch fuer den Fall von Schutzrechtsanmeldungen. Jede Veruegungsbefugnis, wie Kopier- und Weitergaberecht, bei uns.



Aufschrift:
Marking:

Ⓜ 2420.0102

14(4) / 250 ~ μ 50E3



Hersteldatum:
Herstellort/ -jahr/ -woche/ -tag
nach Marquardt Standard

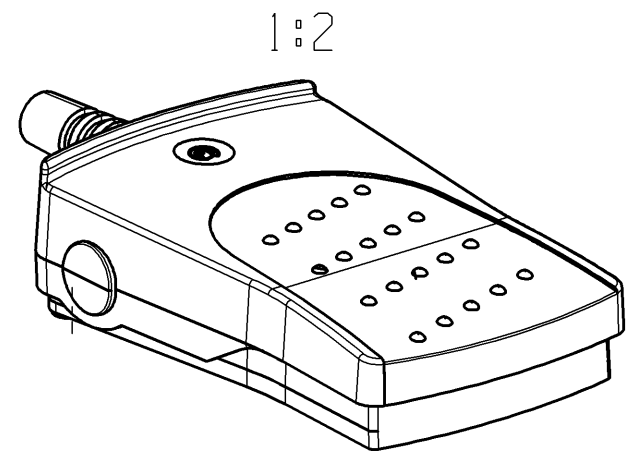
Date code of manufacture:
plant / year / week / day
acc. to Marquardt standard

Kraft in Ruhestellung
force in free position 24 N ± 10 N

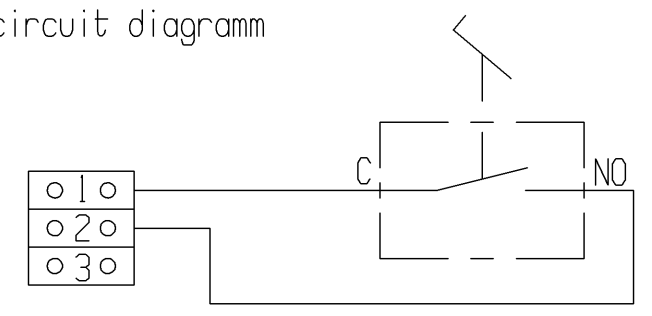
Kraft an Schaltpunkt
force at operating position 30 N ± 10 N

Kraft in Endstellung
force at total travel position 35 N ± 10 N

Beigelegte Bedienungsanleitung beachten
Please observe user manual for further information



Schaltbild
circuit diagramm



-		-		-		2420.0102-XX		
Figure	Type			Customer No.	Art.No.-PI			
All dimensions are in millimetres	Shape and location	Angle	Edge tolerance	General tolerances		Sheet 01		
				Length	Radii	Format DIN A3	Projection	Scale 1:1
				0-6 ± 0.15 ± 0.2	>6-15 ± 0.2 ± 0.3			
				>15-30 ± 0.25 ± 0.5	>30-70 ± 0.4 ± 0.5	System NX V11.0	Replacement of V09111320	
				>70-120 ± 0.6 ± 0.6	>120 ± 0.8 ± 10%			
Index	MEC-No.	Date (YYYY-MM-DD)	Edited by	Foot switch				
d	123519	2019-06-12	TRIGUIK	Ident. K		Document number 24200102		Index d
c	74959	2011-08-25	FRT	MARQUARDT				
b	73342	2011-04-19	HHE					
a	71861	2011-02-01	FRT					