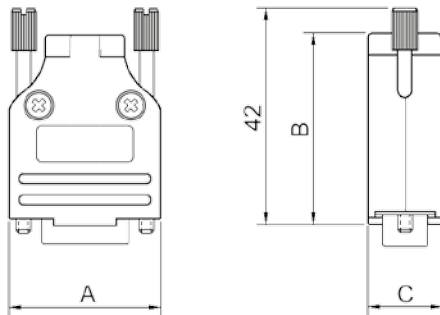
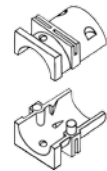
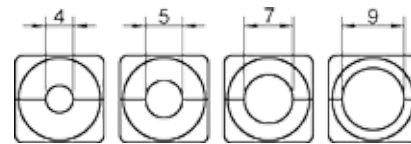


TECHNICAL SPECIFICATIONS

Material:	UL 94 V-0 Plastic Material
Plating:	Nickel over Copper
Operating Temperature:	-55°C to +110°C
Cable Entry:	Top Entry
Thumbscrews:	UNC 4-40 (Standard) M2,5 or M3 on request
Cable O.D.:	Up to 13mm
Accessories:	See page 186-190
Assembly Instruction:	See page 195



Grommet Sizes MHDTPK 9-37:



Size MHDTPK	Dim A	Dim B	Dim C
9-way	31,2	39,9	15,0
15-way	39,5	41,5	15,0
25-way	53,4	48,6	15,0
37-way	69,7	53,6	15,0

Features:

- Available in sizes 9-15-25-37
- Suitable for any common Sub-D Connector
- Strain relief inserts ensure a secure termination
- Re-openable
- Company logo available upon request
- Also available in Unshielded Version, See page 9
- Recyclable

Ordering information:

Size:	P/N - Kitted:	Product Code:
9-way	6560-0145-01	MHDTPK-9-K
15-way	6560-0145-02	MHDTPK-15-K
25-way	6560-0145-03	MHDTPK-25-K
37-way	6560-0145-04	MHDTPK-37-K

Size:	P/N - BULK:	Product Code:
9-way	6561-0145-01	MHDTPK-9
15-way	6561-0145-02	MHDTPK-15
25-way	6561-0145-03	MHDTPK-25
37-way	6561-0145-04	MHDTPK-37