

Product data sheet

Automation technology - Voltage and Power Supply



Product description **M12 Male cable connector, Contacts: 4+FE, 8.0-13.0 mm, unshielded, screw clamp, IP67, M12x1.0, stainless steel**

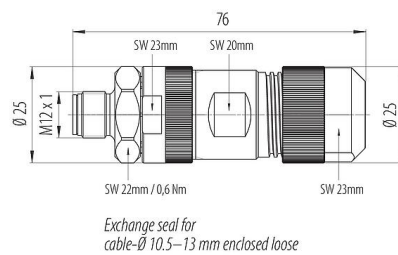
Area **series 823**

Part no. **99 0639 39 05**

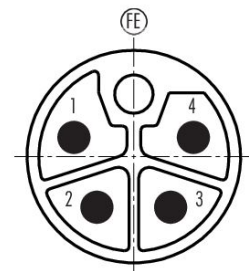
Illustration



Scale drawing



Contact arrangement (Plug-in side)



You can find the assembly instructions on the next page.

Technical data

General features

Part no.	99 0639 39 05
Connector design	Male cable connector
Version	Connector pin straight
Connector locking system	screw
Termination	screw clamp
Degree of protection	IP67
Cross-sectional area	max. 1.50 mm ² with ferrule / max. 2.50 mm ² without ferrule / AWG 16 with wire-end ferrule / AWG 14 without wire-end ferrule
Cable outlet	8.0-13.0 mm
Temperature range from/to	-40 °C / 105 °C
Mechanical operation	> 100 Mating cycles
Additional information	stainless steel
Weight (g)	43.27
Customs tariff number	85369010
Country of Origin	DE

Electrical parameters

Rated voltage	63 V
Rated impulse voltage	1500 V
Rated current	12A 1.5 AWG/16A 2.5 AWG14
Insulation resistance	> 10 ¹⁰ Ω
Pollution degree	3
Overvoltage category	III

Product data sheet

Automation technology - Voltage and Power Supply



Product description	M12 Male cable connector, Contacts: 4+FE, 8.0-13.0 mm, unshielded, screw clamp, IP67, M12x1.0, stainless steel
Area	series 823
Part no.	99 0639 39 05

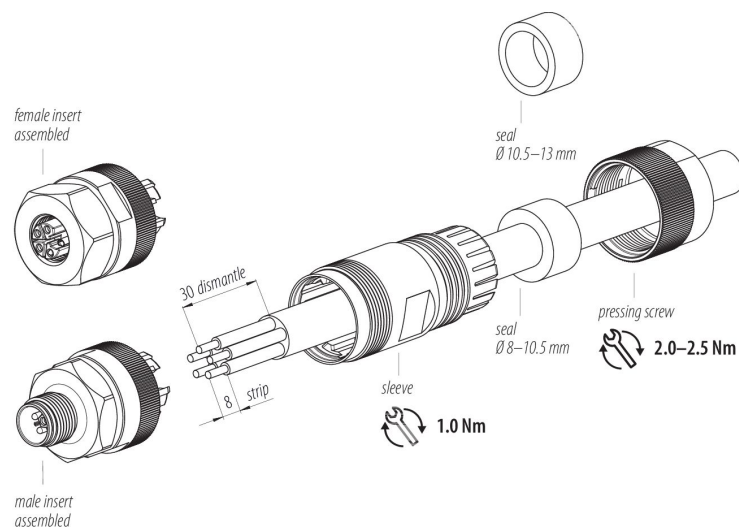
Insulating material group	II
EMC compliance	unshielded

Material

Housing material	PA
Contact body material	PA (UL94 V-0)
Contact material	CuZn (brass)
Contact plating	Au (gold)
Locking material	Stainless steel
REACH SVHC	CAS 7439-92-1 (Lead)
SCIP number	a775943c-1602-4293-9ddb-bda59a62597f

Assembly instructions

1. Clamp out screws until bores for single wires are completely free.
 2. **Attention:** Change pre-mounted sealing ring against the alternative sealing ring when cable diameter is bigger than 10.5 mm.
 3. Push sleeve with cable clamp onto the cable.
 4. Dismantle cable.
 5. Strip single cores and twist single wires.
 6. Insert single wires into the holes and tighten clamping screws (0.4 Nm).
 7. Screw contact insert onto the sleeve.
- Recommendation:** Secure contact insert against unintentional unmating as required and necessary.
8. Screw and tighten pressing screw (2.0–2.5 Nm).



Product description	M12 Male cable connector, Contacts: 4+FE, 8.0-13.0 mm, unshielded, screw clamp, IP67, M12x1.0, stainless steel
Area	series 823
Part no.	99 0639 39 05

Security notices

The connector must not be plugged or unplugged under load. Non-observance and improper use can result in personal injury.

The connectors have been developed for applications in plant engineering, control and electrical equipment construction. The user is responsible for checking whether the connectors can also be used in other areas of application.

To protect against unintentional opening of the connector, the thread between the housing and the connector head must be secured with a suitable cyanoacrylate adhesive when used in circuits with voltages dangerous to the touch. This does not apply to connectors used in SELV and PELV circuits according to IEC 61140 (EN 61140, VDE 0140-1).

Connectors which are used in circuits with voltages dangerous to the touch may only be installed and used by, or under the supervision of, persons with electrical engineering training, taking into account the applicable regulations and standards.

The user must take suitable safety precautions to ensure that the connector cannot be accidentally disconnected.

Plug connectors with enclosure protection IP67 and IP68 are not suitable for use under water. When used outdoors, the plug connectors must be protected separately against corrosion. For further information on the IP protection classes, please refer to the "Technical Information" download centre.

The plug connector is not suitable for mains voltages. Please observe the pollution degree and the overvoltage category. For further information, please refer to the download center "Technical Information".

To lock the cable connector with the device connector, the threaded ring is tightened "hand-tight" (approx. 60 cNm).