

# ARCA 505021W



Sample image

**Order symbol :** ARCA 505021W

**Product nr :** 8120152

**Description :** Cabinet, PC

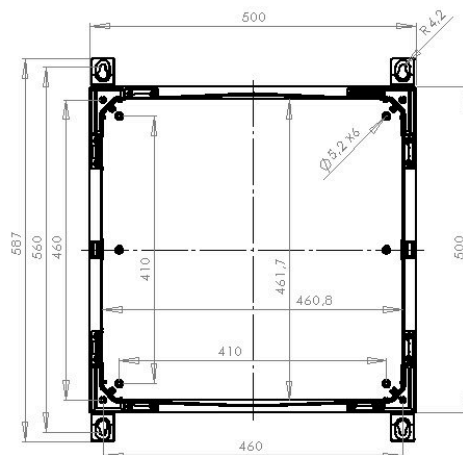
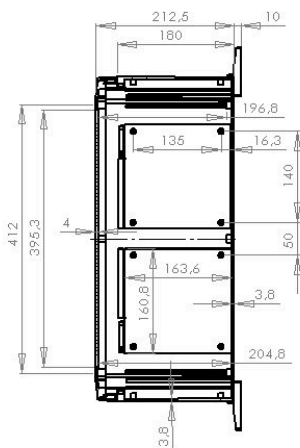
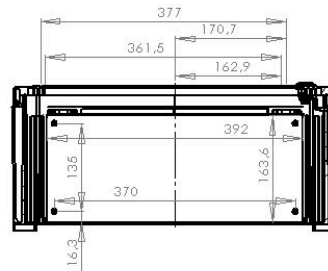
**Remarks :** Grey cover with window. 2-point locking.

**EAN :** 6418074314680

**El. number :**

- Finland : 3424436
- Denmark : 8212097696
- Sweden : 2506479

**Including :** Cabinet base. door with PUR gasket. mounting plate. screws for mounting plate. 3mm double bit lock(s) with key. S versions with swinghandle 2-point locking system. Door guide included.



<b>Dimensions :</b>	<b>Height</b>	<b>Width</b>	<b>Depth</b>
mm :	500	500	210
inch :	19.69	19.69	8.27

#### **Materials :**

Material :	Polycarbonate
Base colour :	RAL_7035
Cover colour :	Clear transparent
Gasket material :	Polyurethane

#### **Temperatures :**

Temperature °C (continuous) :	-40 ... 80
Temperature °F (continuous) :	-40 ... 175

#### **Accessories :**

MPMP ARCA 5050	Mounting plate multiperforated (450x450x2 mm - $\varnothing$ 3.6 mm) (450 x 450 x 1.5)
MPX ARCA 5050	Mounting plate (450x450 mm) (450 x 450 x 15)
MPS ARCA 5050	Mounting plate (450x450x2 mm) (450 x 450 x 2)
DRS ARCA 505021	DIN rail frame set (480 x 480 x 30)
RCS ARCA 5050	Rain canopy set for size 5050 (30 x 500 x 20)
IDS ARCA 5050	Inner door set (480 x 480 x 30)
MPP ARCA 5050	Mounting plate perforated (450x450x2 mm - 26x11 mm) (450 x 450 x 2)
PMK ARCA 50	PoleMounting kit, for pole $\varnothing$ 100-300mm (485 x 385 x 35)

#### **Ratings :**

Ingress protection (EN 60529):	IP65;
Impact Resistance (EN 62262):	IK08;
electrical_insulation :	Totally insulated
Halogen free (DIN/VDE 0472, Part 815) :	Yes
UV resistance :	UL 746C
Flammability Rating :	UL 94 5VA
Glow Wire Test (IEC 695-2-1) °C :	960C