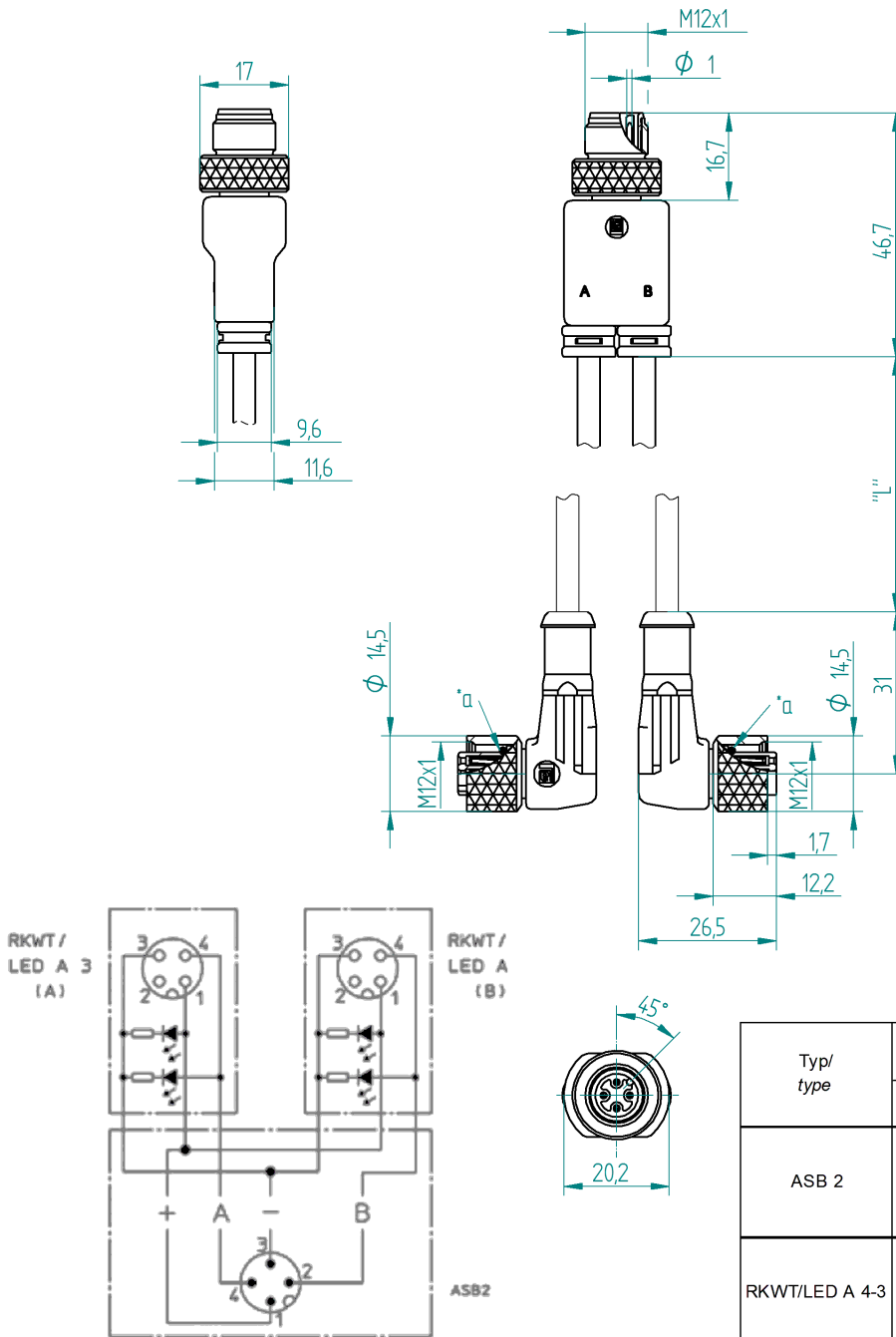


RoHS ✓

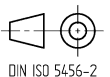


Typ/ type	Kontaktbelegung/ contact assignment	
	Polzahl/ number of poles	Farbkennung/ colour code
ASB 2	4	1 = braun / brown A+B
		2 = weiß / white B
		3 = blau / blue A+B
		4 = schwarz / black A
RKWT/LED A 4-3	4/3	1 = braun / brown
		2 = n.c.
		3 = blau / blue
		4 = schwarz / black

Legende/ cutline

- *a O-Ring/ o-ring
- "L" Standardlänge der Steuerleitung
standard length of cable

The information/details in this datasheet merely contain general descriptions or performance factors which, when applied in an actual situation, do not always correspond with the described form, and may be amended by way of the further development of products. The desired performance factors shall only be binding if these are expressly agreed on conclusion of the contract.



Product description

Description	Actuator/sensor cordset, double-ended -M12 Duo male con. And two M12 female right angle con. - with self-locking threaded joint -female con. With LED operation and function indicator (PNP)
Type	ASB 2-RKWT/LED A 4-3-224/...M, see page 4
Order No	see page 4
Type of contacts	ASB 2: male RKWT: female
Standard	IEC 61076-2-101
Construction type	ASB 2: LM RKWT: MF

Technical data

Rated voltage	32 V
Rated current *	4 A per cable / 4 A max.
Pollution degree	3 acc. to DIN EN 60664-1 (VDE 0110-1)
Contact resistance	≤ 5 mOhm
Insulation resistance	> 10 ⁹ Ohm

* Notice derating

Materials

over molding	ASB 2: TPU, orange RKWT: TPU, translucent
Contact bearer	ASB 2: TPU, orange RKWT: TPU, black
Contact	ASB 2: CuZn RWKT: CuSn
Contact plating	Ni/Au
Gasket(s)	FKM , only RKWT
Knurled screw	ASB 2: CuZn, nickel-plated
Knurled nut	RKWT: CuZn, nickel-plated

Environmental conditions

Protection class (IEC 60529) *	IP67
Temperature range (connector)	-25 °C to +80 °C, notice Derating **

* only if mounted and locked in combination with Hirschmann / Lumberg connector.

** Temperature resistance of the cable considered separately

Cable-data

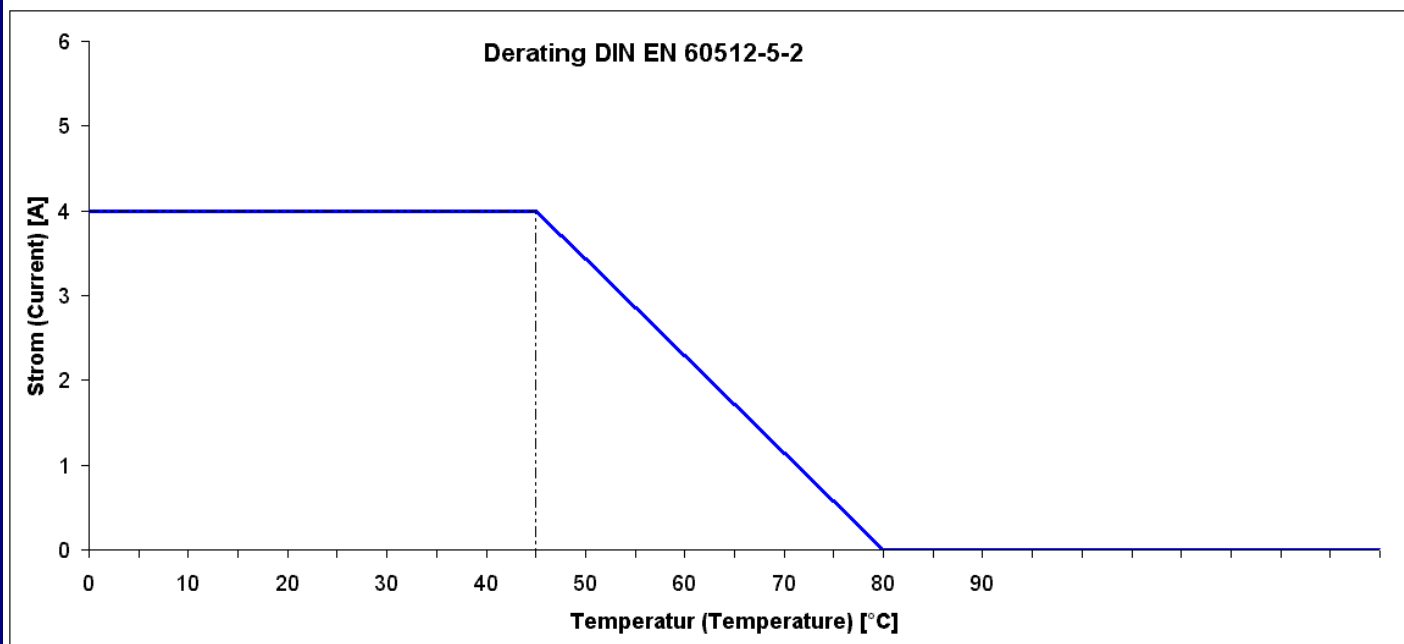
Cabletype	STL 224
Cable material	PUR
Wire-colors, pin-assignment	see page 1
Number of wires	3

Further types on request.

Further technical information on control line see 909224

Notes

Do not connect / disconnect under load.



product overview

Article-No.	Type
000-006-439	ASB 2-RKWT/LED A 4-3-224/15 M
000-006-721	ASB 2-RKWT/LED A 4-3-224/20 M
000-011-239	ASB 2-RKWT/LED A 4-3-224/4 M
000-017-999	ASB 2-RKWT/LED A 4-3-224/2 M
000-043-561	ASB 2-RKWT/LED A 4-3-224/0,3 M
000-043-580	ASB 2-RKWT/LED A 4-3-224/0,6 M
000-043-584	ASB 2-RKWT/LED A 4-3-224/1 M
000-043-589	ASB 2-RKWT/LED A 4-3-224/1,5 M
000-044-138	ASB 2-RKWT/LED A 4-3-224/5 M
000-044-378	ASB 2-RKWT/LED A 4-3-224/3 M
000-045-178	ASB 2-RKWT/LED A 4-3-224/2,5 M
000-048-272	ASB 2-RKWT/LED A 4-3-224/7,5 M
000-052-257	ASB 2-RKWT/LED A 4-3-224/10 M
000-091-942	ASB 2-RKWT/LED A 4-3-224/3,5 M