


Drawing No.	Rev.	Page
EDLR-302F-E-W18	E	1/4

SPECIFICATIONS

[1.General Specifications]

Product Name		Explosion-proof Signal Tower	
Model		EDLR-302F	EDLR-3M2F
Rated Voltage		24V DC	100-240V AC (50/60Hz)
Operating Voltage Range		Rated Voltage $\pm 10\%$	
Rated Current Consumption *1	Max.	0.14A	0.09A
Rated Power Consumption *1	Max.	3.9W	4.0W
Operating Ambient Temperature		-20°C to +50°C	
Operating Ambient Humidity		Less than 90% (No condensation)	
Storage Ambient Temperature		-30°C to +60°C	
Storage Ambient Humidity		Less than 90% (No condensation)	
Mounting Location		Indoor & Outdoor	
Mounting Direction		Upright	
Protection Rating		IP66 (IEC 60529) *2	
Environmental Condition		Upright	
Vibration Resistance		10m/s ² (JIS C 60068-2-6 : 2010)	
Environmental Condition		Upright	
Insulation Resistance		More than 1M Ω at 500V DC between live part and non-current carrying metallic part	
Withstand Voltage		VAC applied for 1min between live part and non-current carrying metallic part without breaking insulation	
		500V AC	1500V AC
Flashing Rate		60 ± 2 flashes per minute	
Mass (Tolerance $\pm 10\%$)		9kg	
Outer Dimensions		Refer to [3.Outer Drawing]	
Conformity Standards		IEC 60079-0 : 2017 (Ed.7) and IEC 60079-1 : 2014 (Ed.7) EN IEC 60079-0 and EN IEC 60079-1 RoHS Directive (EN50581), ATEX Directive 2014/34/EU	
Explosion-proof Specifications	Ex mark	IECEX - Ex db II B+H ₂ T6 Gb ATEX -  II 2 G Ex db II B+H ₂ T6 Gb	
	Explosion-proof Zone	Zone 1 (Class I hazardous locations) Zone 2 (Class II hazardous locations)	
Remarks		*1 Characteristics may vary from specifications. *2 Protection Rating based on in-house evaluation, not IECEX/ATEX certified. There are no contents of controlled substances exceeding the threshold for the RoHS Directive.	

[2.Model]

Model Number Configuration

E D L R - 3 0 2 F - R Y G - E

■ Rated Voltage

02: 24V DC

M2: 100-240V AC

■ LED Uint Color

R: Red

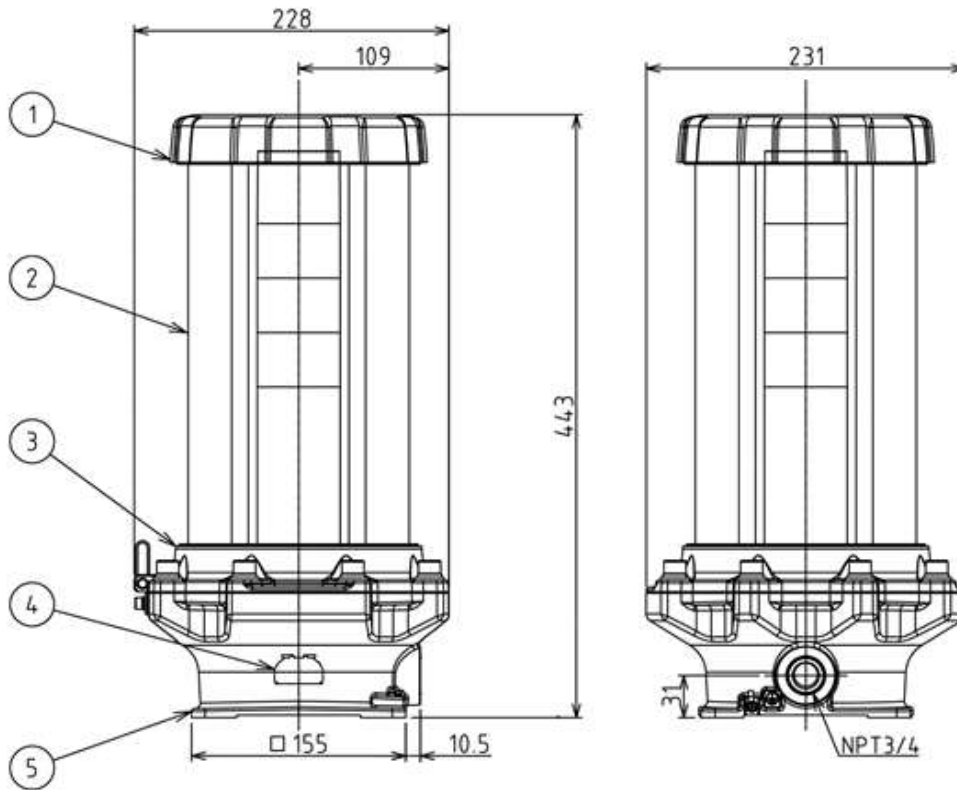
Y: Amber

G: Green

[3.Outer Drawing]

3.1 Outer Dimension Drawing

[mm]

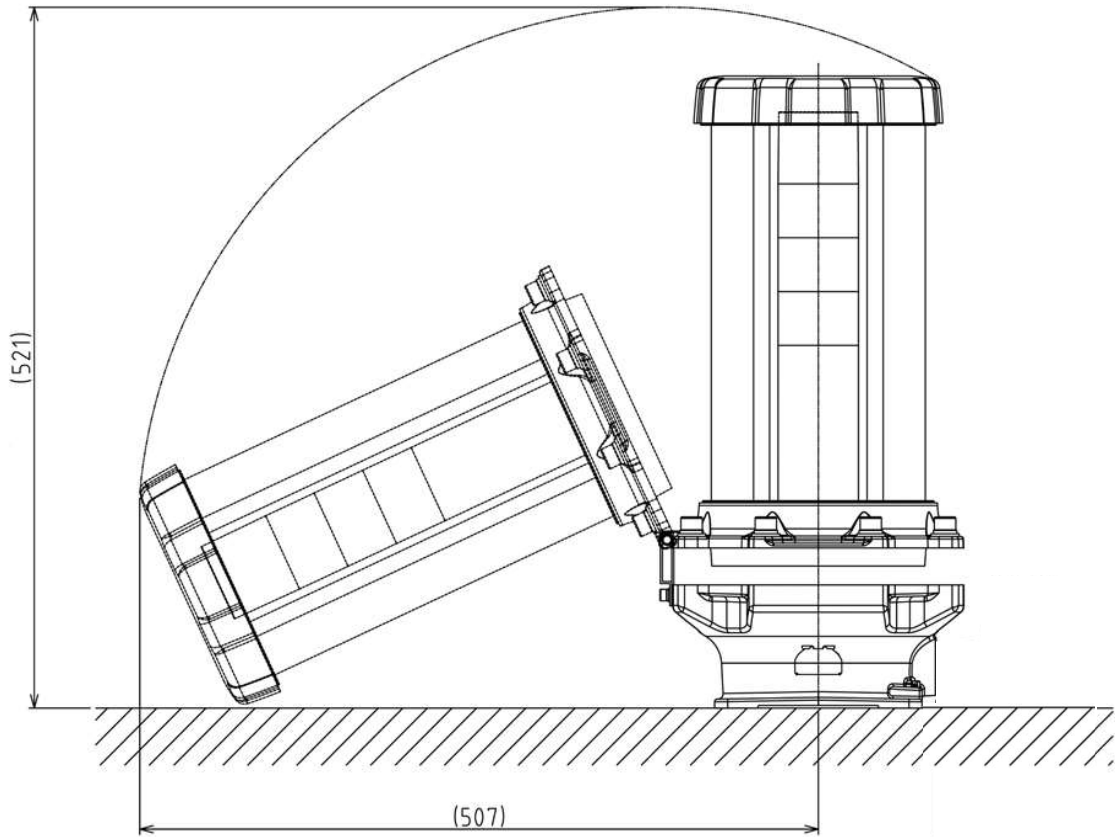


No.	Name	Material
1	Head Cover	ADC12
2	Glass Globe	Hard glass
3	Body A	ADC12
4	Screwless Terminal	-
5	Body B	ADC12

Drawing No.	Rev.	Page
EDLR-302F-E-W18	E	3/4

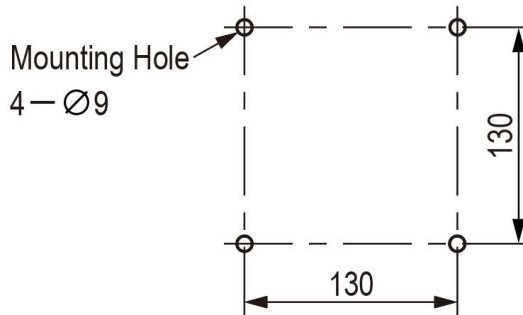
3.2 Required Space Drawing when Wiring

[mm]



[4.Mounting Dimensional Drawing]

[mm]

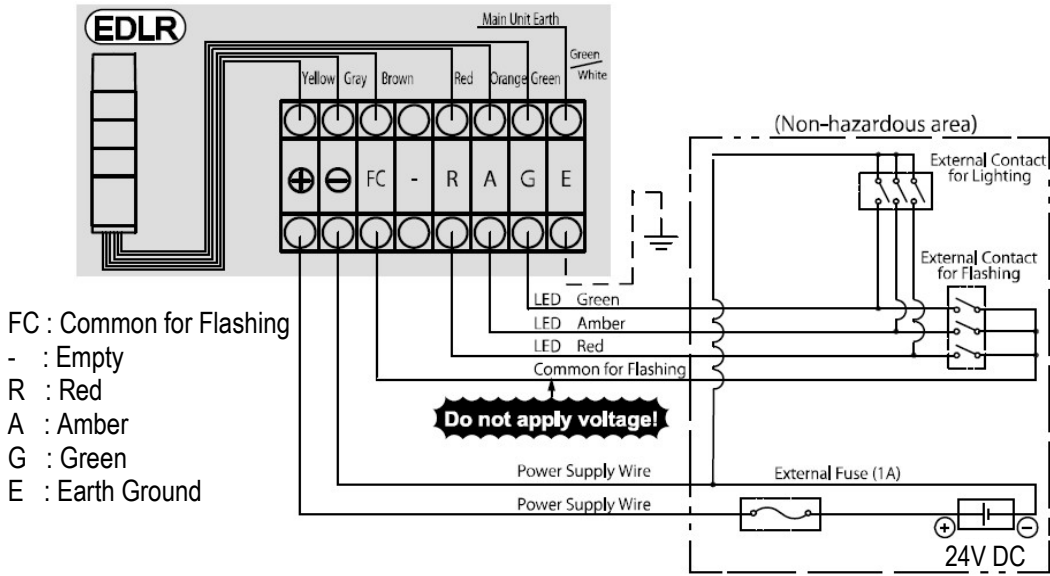


Bolt/Nut
M8 × 4 places
※Bolt/Nut not included.

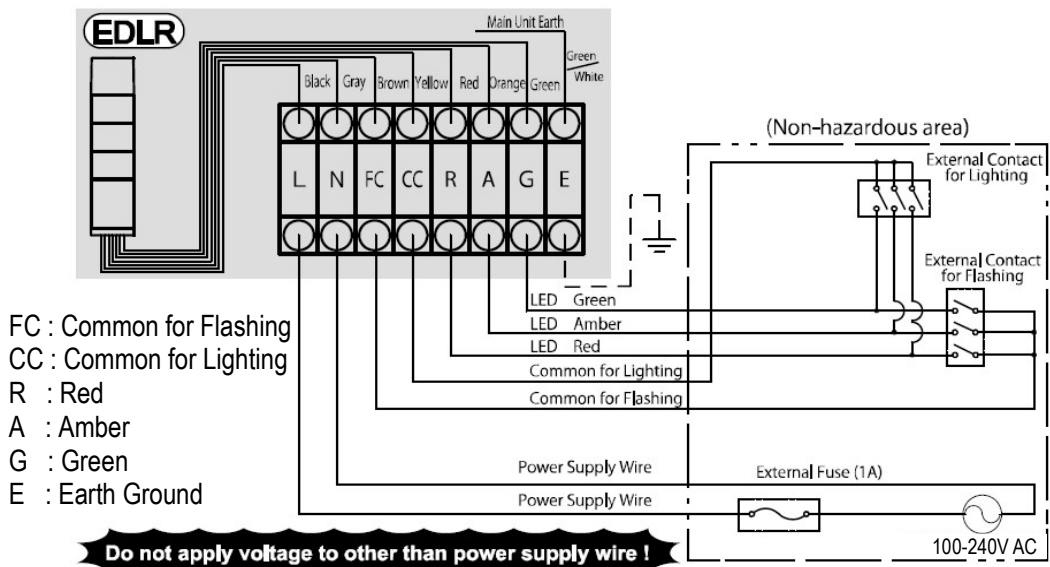
Recommended Tightening Torque
12.3N·m

[5.Wiring Drawing]

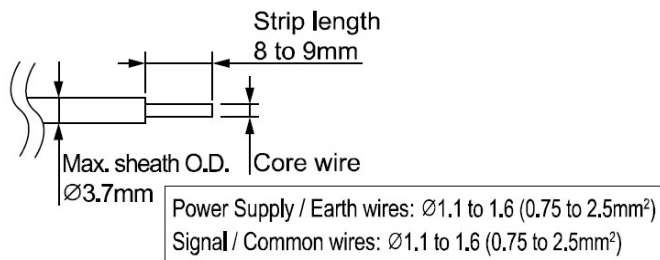
■ EDLR-302F



■ EDLR-3M2F



■ Terminal Conformity Cable



※For stranded wires, twist them firmly to prevent fraying or bending.

■ Cable gland

Certified Ex cable gland (Marking: Ex db II C Gb) shall be used to equipment and installed in accordance with EN/IEC 60079-14.