

Fan filters

Snap-in mounting

60 x 60

Series GKV, Manufacturer EVG

Special solutions possible

Filter housing: Type of material ABS, according to UL 94 V-0, RAL 7035 (other colours from 100 pieces on request), casted gasket

Filtering class: G3, 80 up to 90 % average arrestance and 200 g/m² dust holding capacity, washable (regular filter media change required!)

Fan: Axial fan, ball bearing (with approvals CE, CSA, UL, VDE)

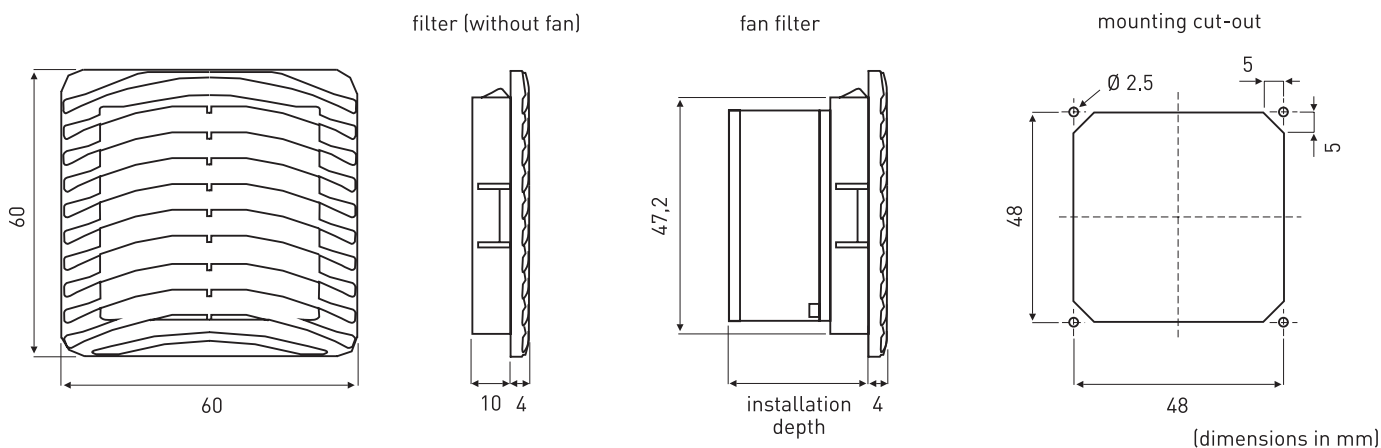
Airflow direction: into the electrical cabinet / "R" - reverse airflow direction out of the electrical cabinet - available on request

Wall thickness: 0.8 up to 1.5 mm

Degree of Protection: IP 54

Electrical connection: stranded wires, length 200 mm

Note: EMC-version on request / Screw mounting possible / small compact thermostats for controlling fan filters see chapter regulators / information for calculating the heating and cooling capacity see "Knowledge" on www.evg.de



Fan filters	voltage V DC (*)	air volume free flow m ³ /h	rated current mA	rated power W	installation depth mm	motor lifetime L ₁₀ /40 °C h	rated temp. range °C	weight g
GKV0600209.01	5 (4.5-5.5)	5	280	1.4	35.0	70,000	-10 up to +70	55.0
GKV0600210.01	12 (10.8-13.2)	5	100	1.2	35.0	70,000	-10 up to +70	55.0
GKV0600211.01	24 (21.6-26.4)	5	80	1.92	35.0	70,000	-10 up to +70	55.0
GKF06.01	filter (without fan)				10.0			16.0
M42	filter media (replacement)							

* permitted voltage range