



## Fan filters

### Snap-in mounting

80 x 80

### Series GKV, Manufacturer EVG

**Filter housing:** Type of material ABS, according to UL 94 V-0, RAL 7035 (other colours from 100 pieces on request), casted gasket

**Filtering class:** G3, 80 up to 90 % average arrestance and 200 g/m<sup>2</sup> dust holding capacity, washable (regular filter media change required!)

**Fan:** Axial fan, ball bearing (with approvals CE, CSA, UL, VDE)

**Airflow direction:** into the electrical cabinet / "-R"- reverse airflow direction out of the electrical cabinet - available on request

**Wall thickness:** 0.8 up to 2 mm

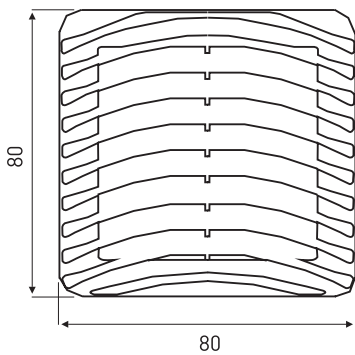
**Degree of Protection:** IP 54

Special solutions possible

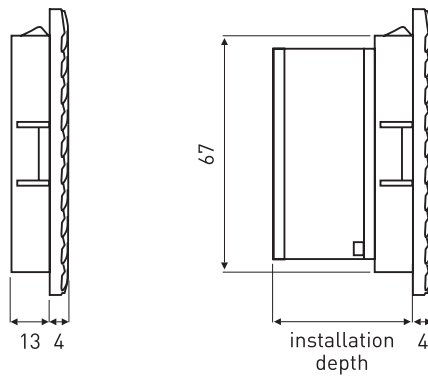
**Electrical connection:** stranded wires, length 200 mm

**Note:** EMC-version on request / Screw mounting possible / small compact thermostats for controlling fan filters see chapter regulators / information for calculating the heating and cooling capacity see "Knowledge" on [www.evg.de](http://www.evg.de)

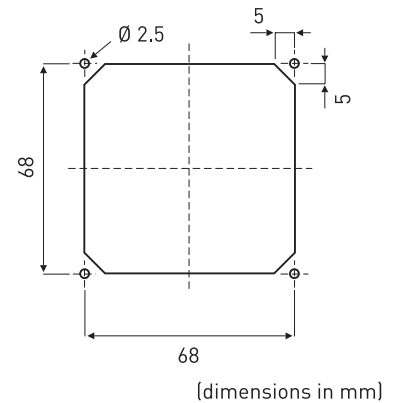
filter (without fan)



fan filter



mounting cut-out



(dimensions in mm)

| Fan filters   | voltage<br>V / Hz          | air volume<br>free flow<br>m <sup>3</sup> /h | rated<br>current<br>mA | rated<br>power<br>W | installation<br>depth<br>mm | motor lifetime<br>L <sub>10</sub> /40 °C<br>h | rated<br>temp. range<br>°C | weight<br>g |
|---------------|----------------------------|--|------------------------|---------------------|-----------------------------|---|----------------------------|-------------|
| GKV0800220.01 | 230 AC / 50                | 10   | 22                     | 4.0                 | 38.0                        | 40,000  | -10 up to +50              | 200.0       |
| GKV0800222.01 | 115 AC / 50                | 12   | 35                     | 5.0                 | 38.0                        | 40,000  | -10 up to +50              | 200.0       |
| GKV0800210.01 | 12 DC                      | 14   | 300                    | 3.6                 | 38.0                        | 70,000  | -10 up to +50              | 165.0       |
| GKV0800211.01 | 24 DC                      | 14   | 130                    | 3.1                 | 38.0                        | 70,000  | -10 up to +50              | 165.0       |
| GKF08.01      | filter (without fan)       |  |                        |                     | 13.0                        |   |                            | 30.0        |
| M63           | filter media (replacement) |  |                        |                     |                             |   |                            |             |