

Machine handles
Series MG-x-T2



Elegant
design

Button "ON"
with green
signaling LED

Switching
capacity
2x 0.8 A

Machine handles Series MG-x-T2

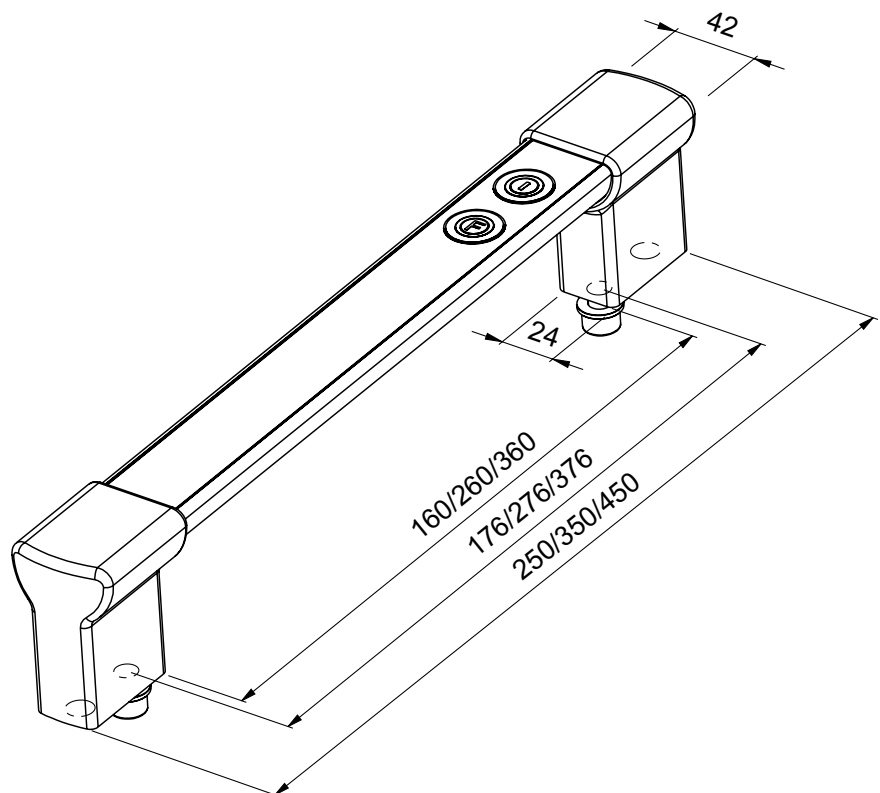
The machine handles **MG-x-T2** are made of natural-colored anodized aluminum and the handle legs are made of powder-coated aluminium. The profile was specially designed to integrate additional functions in the installation of electronic assemblies.



The MG-x-T2 series is equipped with two integrated electronic buttons with short-circuit-proof output drivers and a green feedback LED. Contactors can be operated with the integrated semiconductor power drivers without a coupling relay. The buttons are debounced via software and have a minimum duty cycle of 200 ms. The connection to the power voltage (24 V DC) is made via a 5 m cable with an M8 connector or with an open end.

The machine handles are available in different lengths and switching functions (switches or buttons).

TECHNICAL DATA

- Operating voltage 21–27 V DC
- Operating temperature max. 50° C
- Fastening via 2x cylinder screws, hexagonal socket M8 x 55 / DIN ISO 4762
- Integrated overcurrent protection
- Integrated reverse polarity protection
- Two outputs 0.8 A / short-circuit proof
- Controllable green signalling LED button "ON".
- IP 65 protection class
- Available with switch / button function



Type	Part no.	Operating voltage (V DC)	Symbols S = Switch function T = Button function	Dimensions L x W x H (mm)	GTIN / EAN
Version with M8 connector 					
MG-1-T2F M8	11600	24	⊙ T / T ⊙	250 x 41.5 x 65	4262388142307
MG-2-T2F M8	11604	24	⊙ T / T ⊙	350 x 41.5 x 65	4262388142345
MG-3-T2F M8	11608	24	⊙ T / T ⊙	450 x 41.5 x 65	4262388142383
Version with 5 m PVC / PVC cable 					
MG-1-T2F LC	11601	24	⊙ T / T ⊙	250 x 41.5 x 65	4262388142314
MG-2-T2F LC	11605	24	⊙ T / T ⊙	350 x 41.5 x 65	4262388142352
MG-3-T2F LC	11609	24	⊙ T / T ⊙	450 x 41.5 x 65	4262388142390