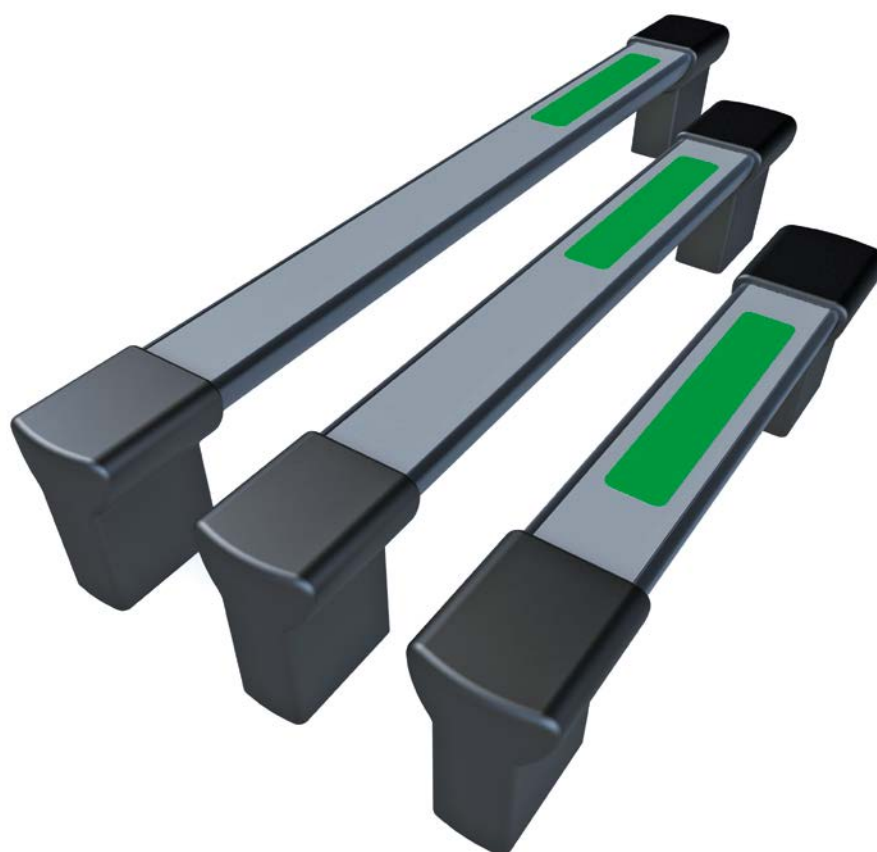


Machine handles
Series MG-x-Trio



Elegant
design

Multicolor



Machine handles Series MG-x-Trio

Machine handles of the **MG-x-TRIO** series are made of natural-colored anodized aluminium and handle legs made of powder-coated aluminium. The profile has been specially designed for the installation of electronic modules for the integration of additional functions.

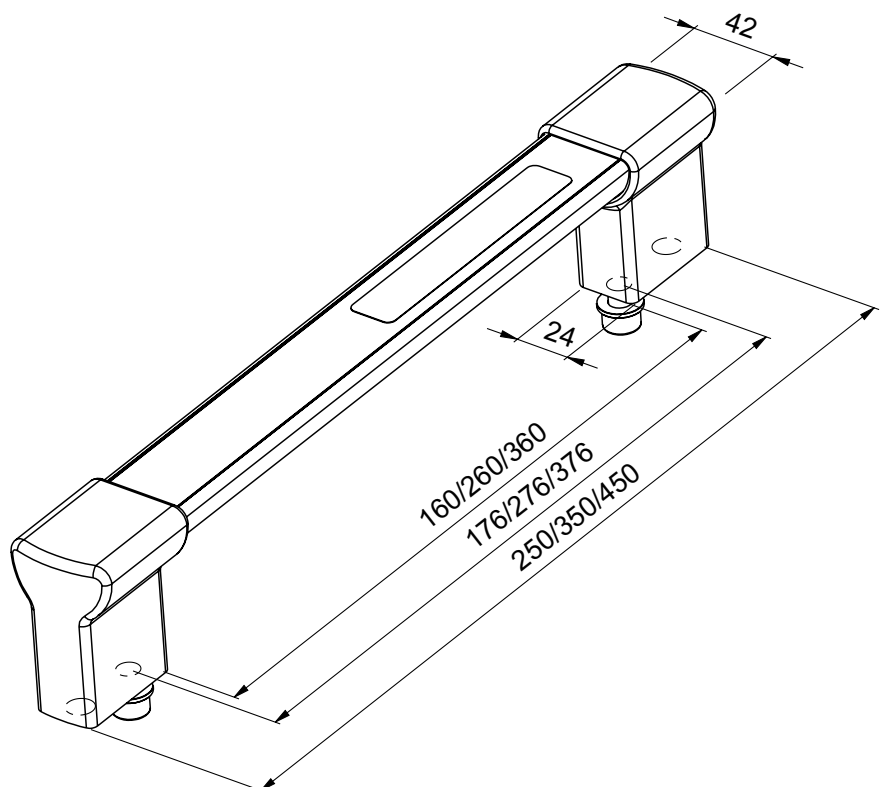
The polycarbonate diffuser, specially developed for LED applications, ensures a **homogeneous luminous surface** with high efficiency.



The connection to the power (24 V DC) is made at the rear side via a 5 m PVC / PVC cable with M8 connector or with open end.

The machine handles are available in different lengths.

TECHNICAL DATA

- Operating voltage 21–27 V DC
- Operating temperature max. 50° C
- Four signal colors in one device: Red / Yellow / Green / Blue
- Resistant to shock or vibration
- Connection via 5 m PVC cable 4-pole, or plug connector M8
- Fastening via 2x cylinder screws, hexagonal socket M8 x 55 / DIN ISO 4762
- Integrated overcurrent protection
- Integrated reverse polarity protection
- Protection class IP 65 in mounted state



| Type | Part no. | Operating voltage (V DC) | Dimensions L x W x H (mm) | GTIN / EAN |
|--|----------|--------------------------|---------------------------|---------------|
| Version with M8 connector  | | | | |
| MG-1-TRIO M8 | 11556 | 24 | 250 x 41.5 x 65 | 4262388142185 |
| MG-2-TRIO M8 | 11560 | 24 | 350 x 41.5 x 65 | 4262388142192 |
| MG-3-TRIO M8 | 11561 | 24 | 450 x 41.5 x 65 | 4262388142208 |
| Version with 5 m PVC / PVC cable  | | | | |
| MG-1-TRIO LC | 11565 | 24 | 250 x 41.5 x 65 | 4262388142215 |
| MG-2-TRIO LC | 11566 | 24 | 350 x 41.5 x 65 | 4262388142222 |
| MG-3-TRIO LC | 11567 | 24 | 450 x 41.5 x 65 | 4262388142239 |