

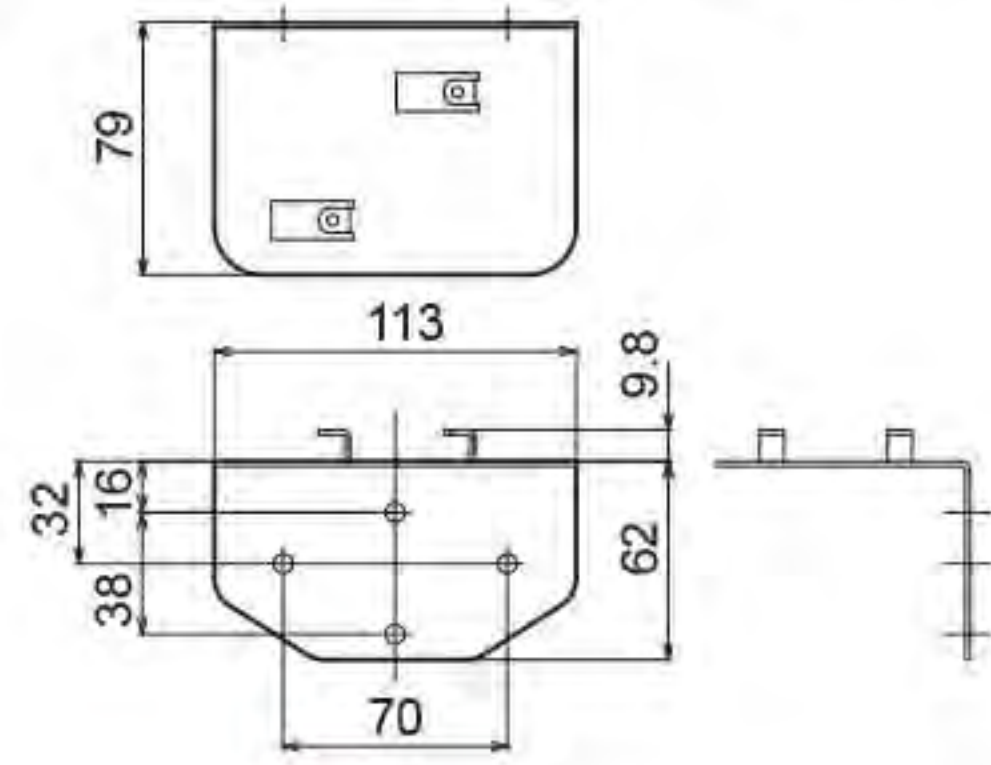
Wall Mounting

Wall Mount Bracket (Exposed wiring type)

NH-WST

Compatible products
NH-FB

Mounting dimensions (Units:mm)



Material: SECC

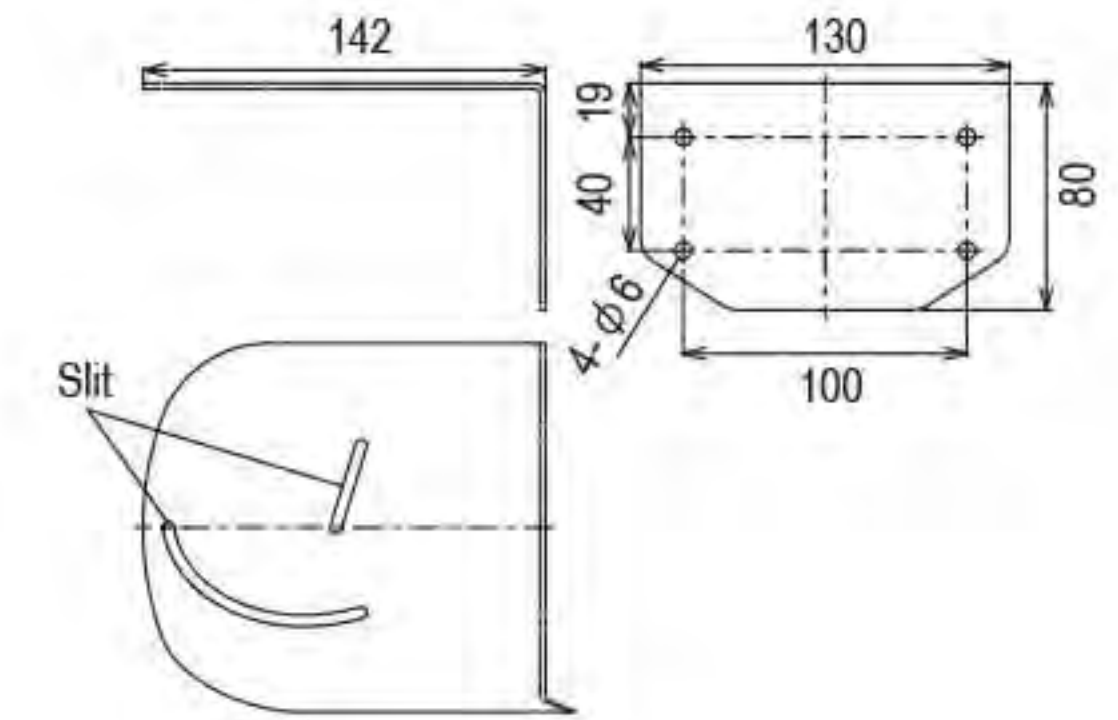
RoHS 10

Wall Mount Bracket (Exposed wiring type)

NH-WST2

Compatible products
NH-FV, LA6-POE

Mounting dimensions (Units:mm)



Material: SECC

RoHS 10

For T-type Aluminum Pole

L-bracket SZL-001

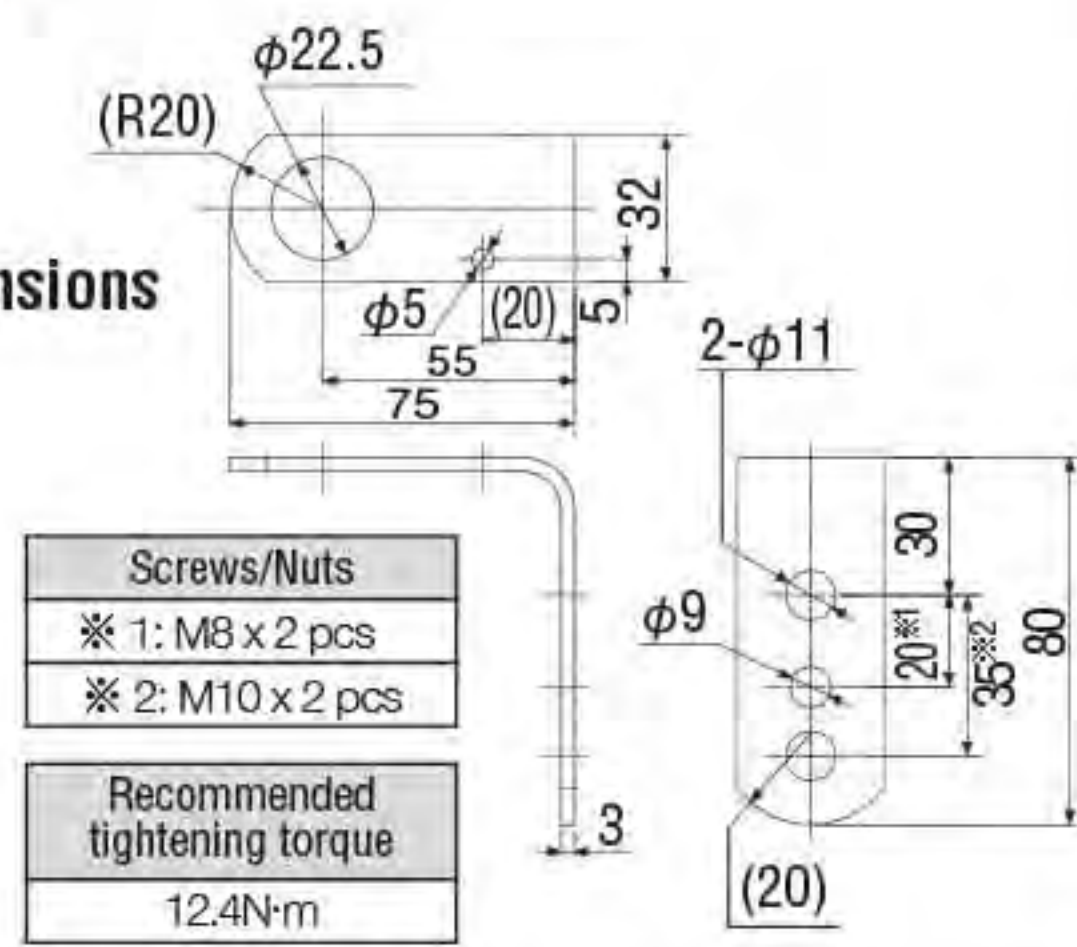
Compatible products
LR Series

Corresponding pole
POLE22-AT

Material: SPHC-P

RoHS 10

Mounting dimensions (Units:mm)



For N-type Aluminum Pole

Circular Multi-mount Bracket SZP-001W/U/K

Compatible products
LR series

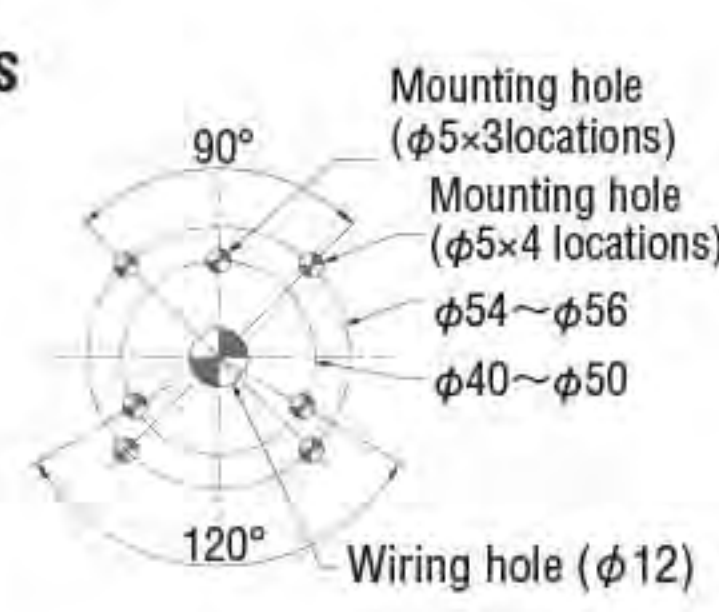
Corresponding pole
POLE22-AN

Material: PC

RoHS 10

Mounting dimensions (Units:mm)

M4 Screws
Recommended
tightening torque
0.6 N·m



Circular Bracket SZP-002U

Compatible products
LR series

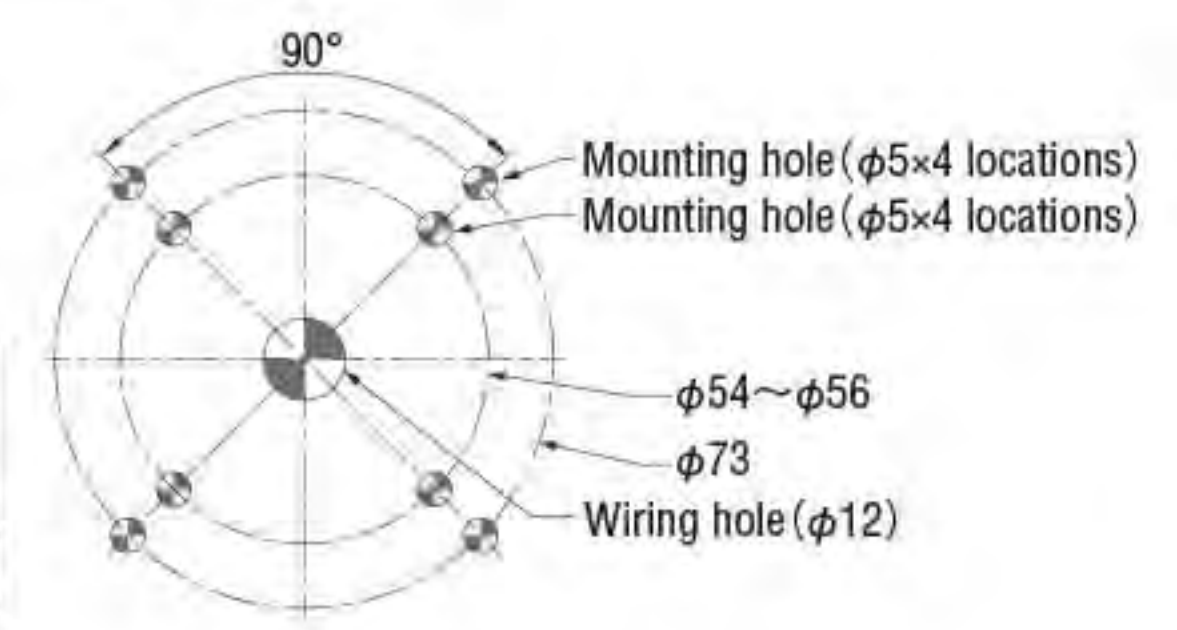
Corresponding pole
POLE22-AN

Material: ADC12

RoHS 10

Mounting dimensions (Units:mm)

M4 Screws
Recommended
tightening torque
0.6 N·m



For N/T-type

Wall Mount Bracket SZK-001U

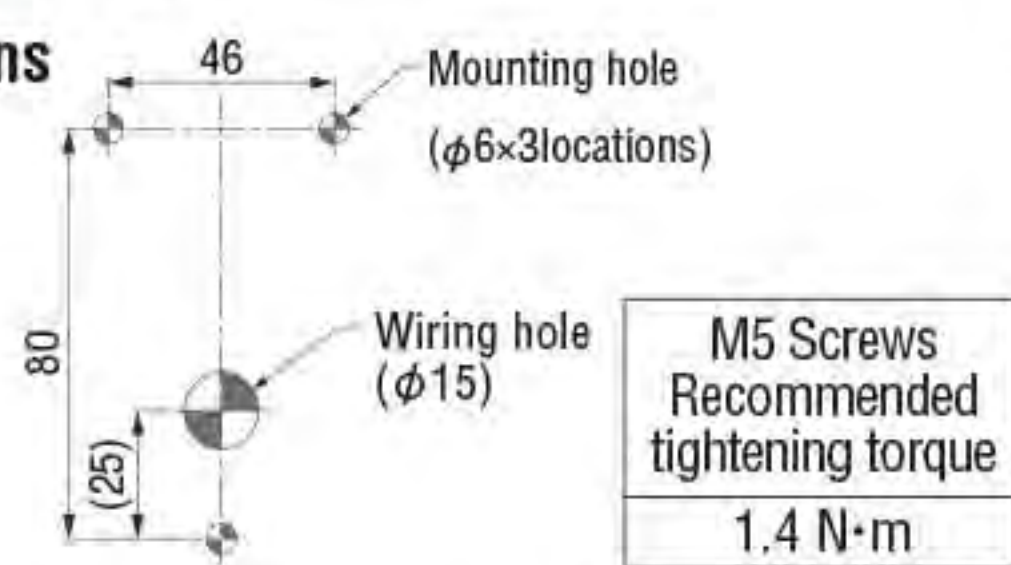
Compatible products
LR series

Corresponding pole
POLE22-AN
POLE22-AT

Material: ADC12

RoHS 10

Mounting dimensions (Units:mm)



Circular Bracket SZP-003W/U/K

Compatible products
LR series

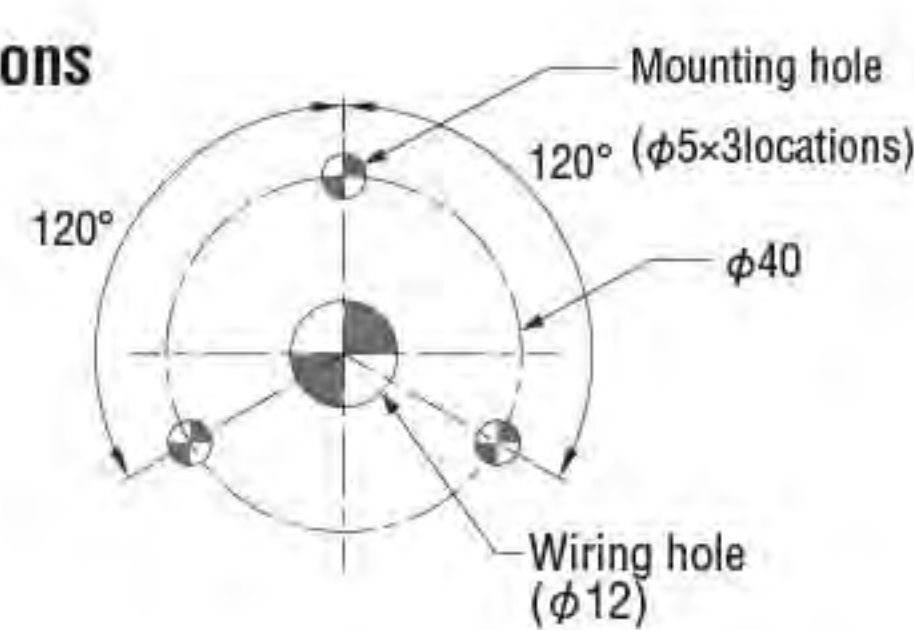
Corresponding pole
POLE22-AN

Material: PC

RoHS 10

Mounting dimensions (Units:mm)

M4 Screws
Recommended
tightening torque
0.6 N·m



Folding Bracket SZQ-001W

Compatible products
LR series

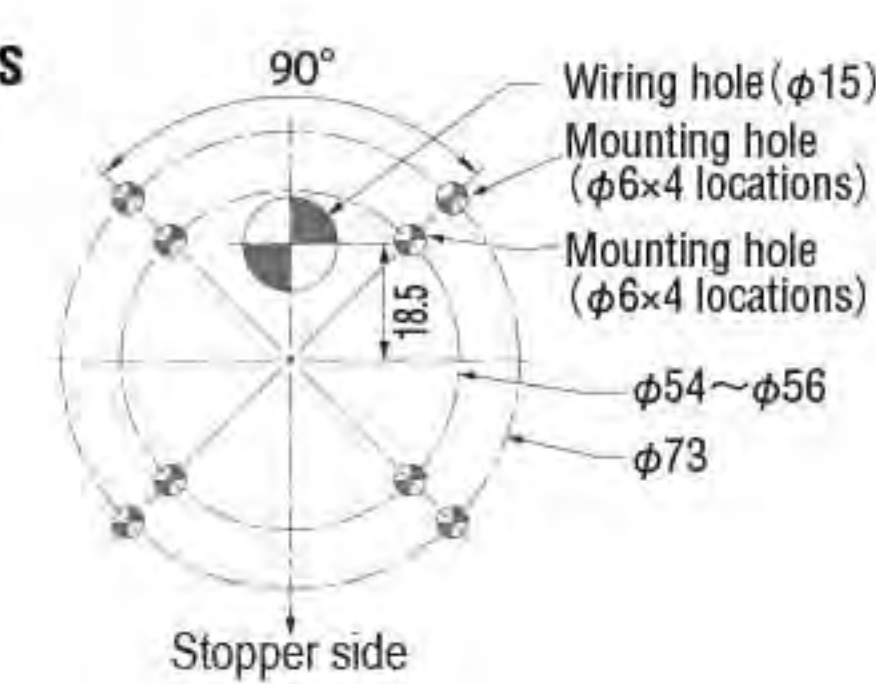
Corresponding pole
POLE22-AN

Material: PC

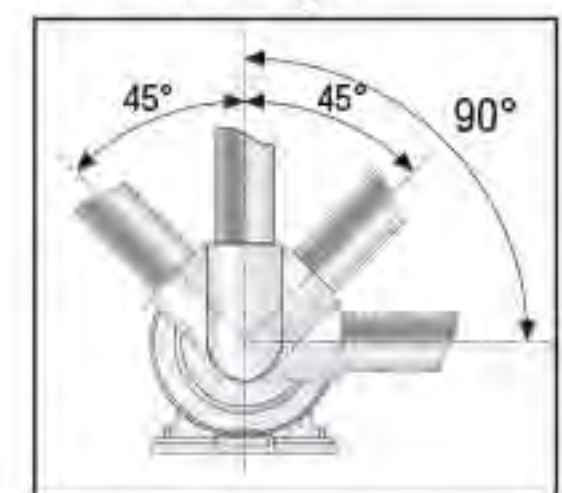
RoHS 10

Mounting dimensions (Units:mm)

M5 Screws
Recommended
tightening torque
1.4 N·m



Tiltable range



Watch the video

Pole Mounting

Upper Bracket SZP-101

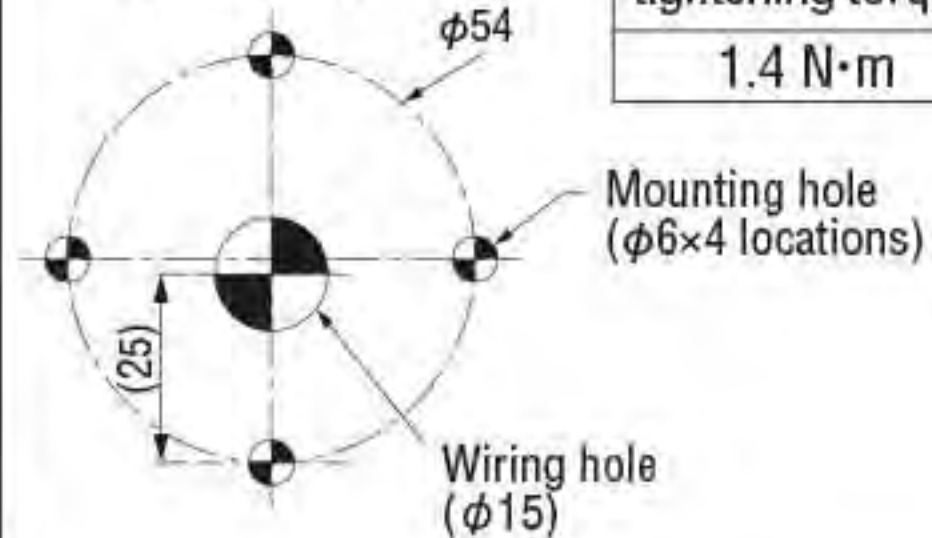
Compatible products
SKH / SF10 / SL10

Corresponding pole
POLE22-AN
POLE22-AT

Material: PC

RoHS 10

Mounting dimensions (Units:mm)



M5 Screws
Recommended
tightening torque
1.4 N·m

NPT Bracket SZP-102

Compatible products
SKS / SF08 / SL08

Material: AL

RoHS 10

NPT Bracket SZP-103

Compatible products
SKH / SF10 / SL10

Material: AL

RoHS 10

NPT Bracket SZP-104

Compatible products
SKP / SL15

Material: AL

RoHS 10

NPT Bracket SZP-090U

Compatible products
LR4-WJ / LR5-WJ / LR5-WT / LR5-KT

Material: AL

RoHS 10

NPT Bracket SZP-091U

Compatible products
LR6-WJ / LR7-WJ / LR7-WT / LR7-KT

Material: AL

RoHS 10

* Use mounting rubber gasket when installing 3-screw mounting type units.
Bracket does not support AC cord with plug.

Optional Parts

LAN/USB/PoE/Wireless

Signal Tower

Beacons

Cube Tower

Audible Alarms and MP3 Voice Annunciators

Hybrid Signaling Devices

LED Illumination

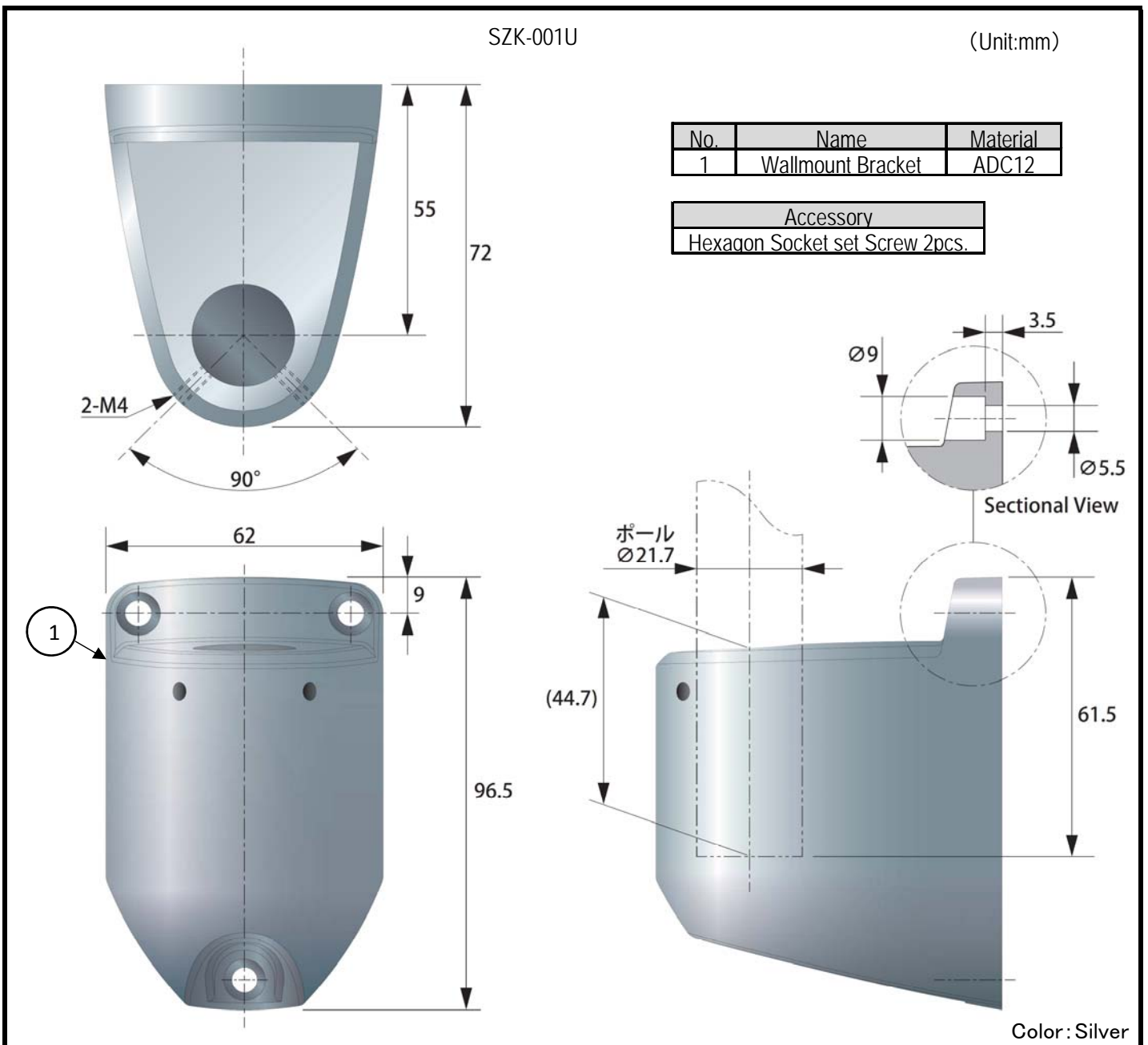
Optional Parts

SPECIFICATIONS

1.General Specifications

Model	SZK-001U
Applicable Models	List in the website http://www.patlite.com/
Applicable Pole	
Mounting Location	Indoor Only
Protection Rating	IP20(Product Mounting)
Mass (Tolerance ±10%)	0.19kg(Accessory Remove)
Outer Dimensions	Refer to the 2.Outer Dimensions
Remarks	There are no contents of controlled substances exceeding the threshold for the RoHS

2.Outer Dimensions



SZK-001-W18B-1_2

PATLITE Corporation

3.Mounting Dimensional Drawing

