

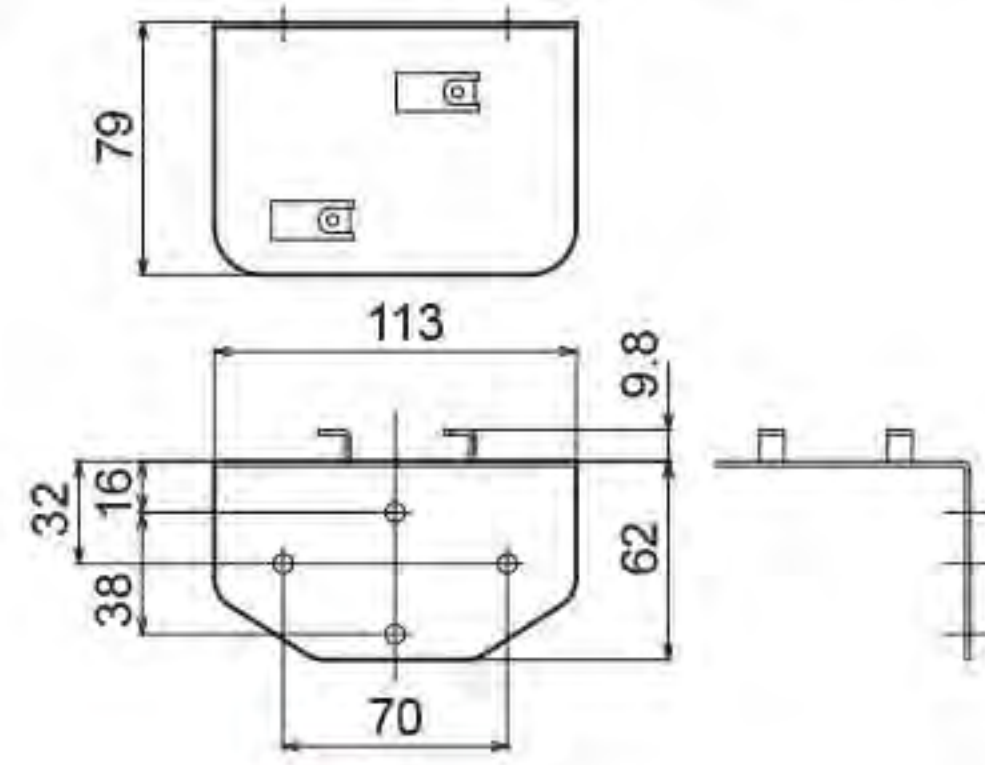
Wall Mounting

Wall Mount Bracket (Exposed wiring type)

NH-WST

Compatible products
NH-FB

Mounting dimensions (Units:mm)

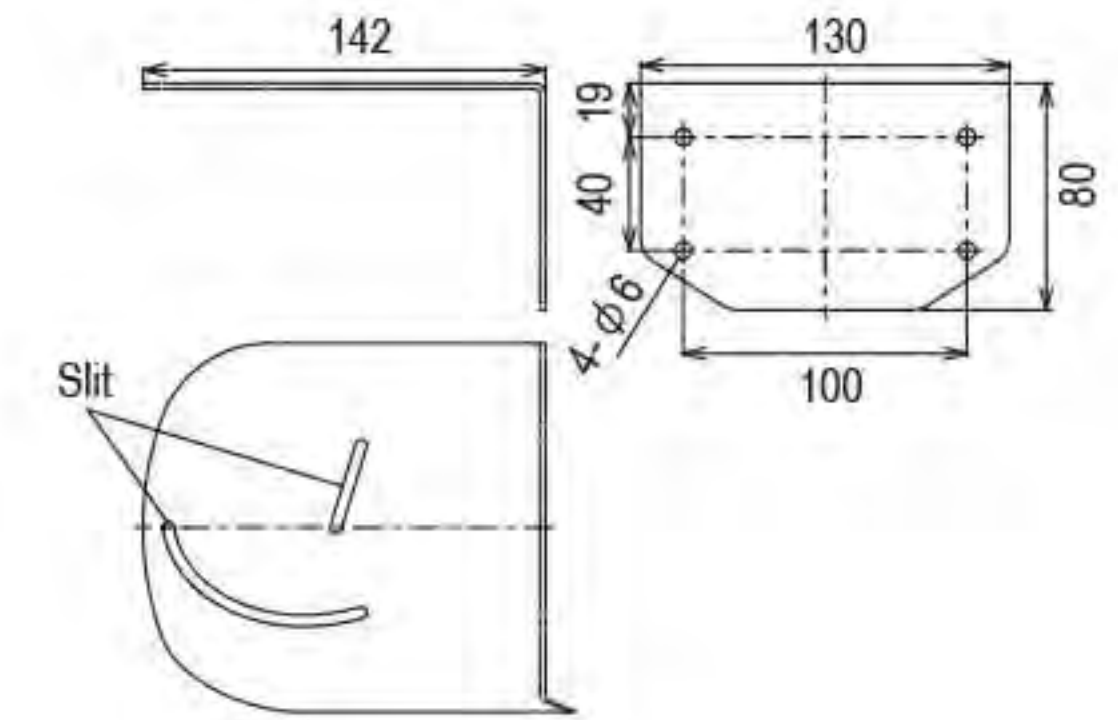


Wall Mount Bracket (Exposed wiring type)

NH-WST2

Compatible products
NH-FV, LA6-POE

Mounting dimensions (Units:mm)



For T-type Aluminum Pole

L-bracket SZL-001

Compatible products
LR Series

Corresponding pole
POLE22-AT

Circular Multi-mount Bracket SZP-001W/U/K

Compatible products
LR series

Corresponding pole
POLE22-AN

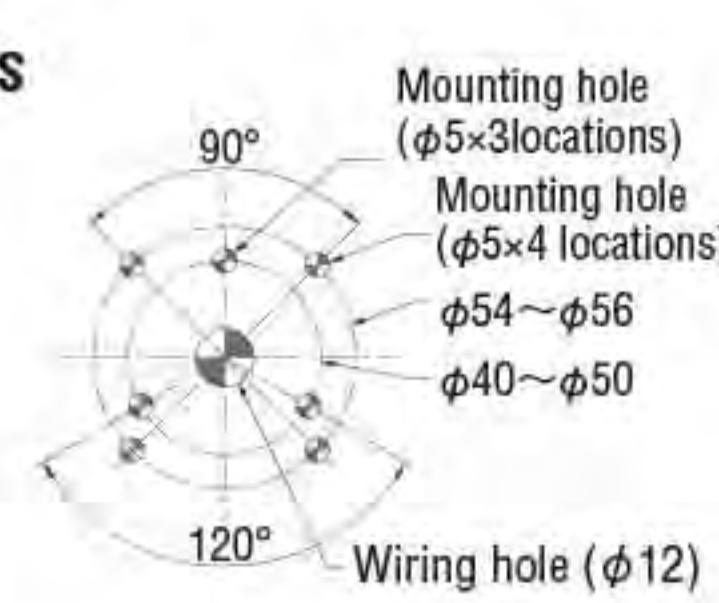
Circular Bracket SZP-002U

Compatible products
LR series

Corresponding pole
POLE22-AN

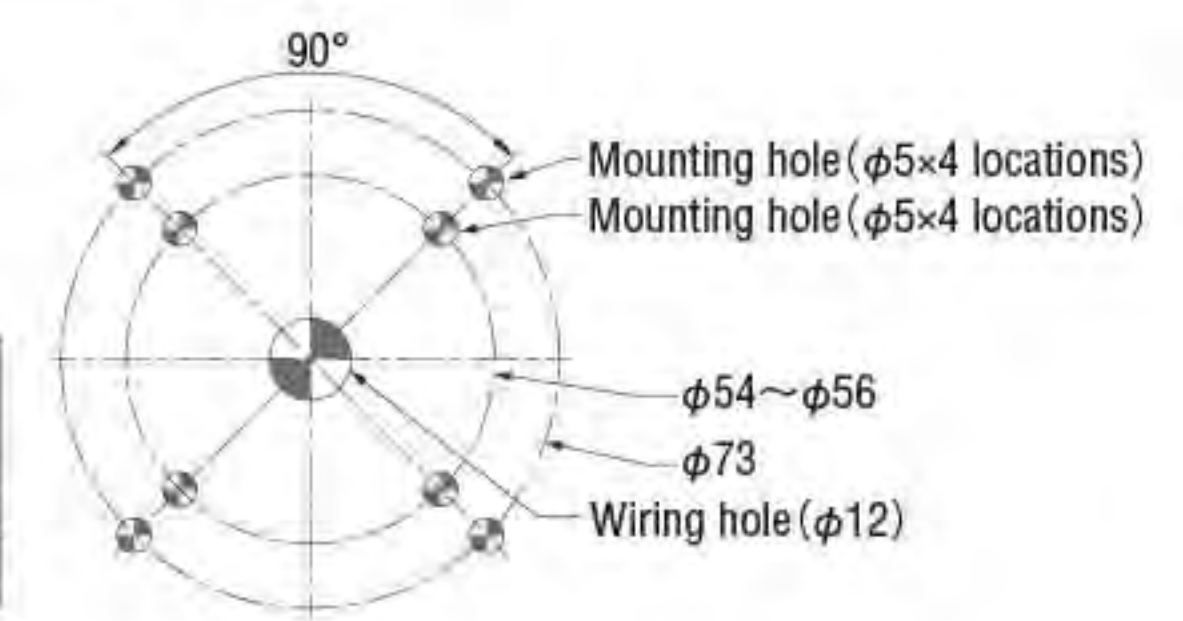
Mounting dimensions (Units:mm)

M4 Screws
Recommended
tightening torque
0.6 N·m



Mounting dimensions (Units:mm)

M4 Screws
Recommended
tightening torque
0.6 N·m



For N/T-type

Wall Mount Bracket SZK-001U

Compatible products
LR series

Corresponding pole
POLE22-AN
POLE22-AT

Circular Bracket SZP-003W/U/K

Compatible products
LR series

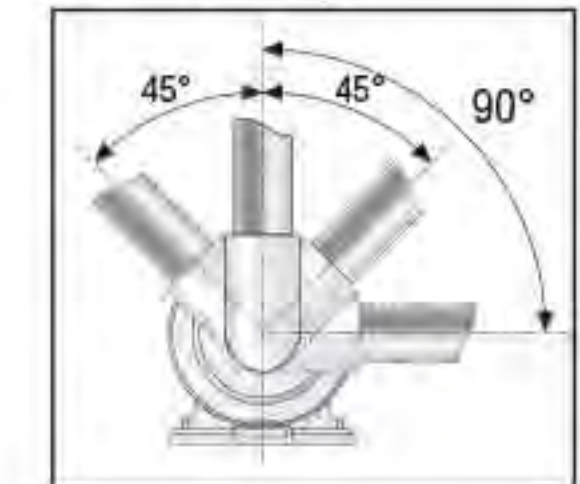
Corresponding pole
POLE22-AN

Folding Bracket SZQ-001W

Compatible products
LR series

Corresponding pole
POLE22-AN

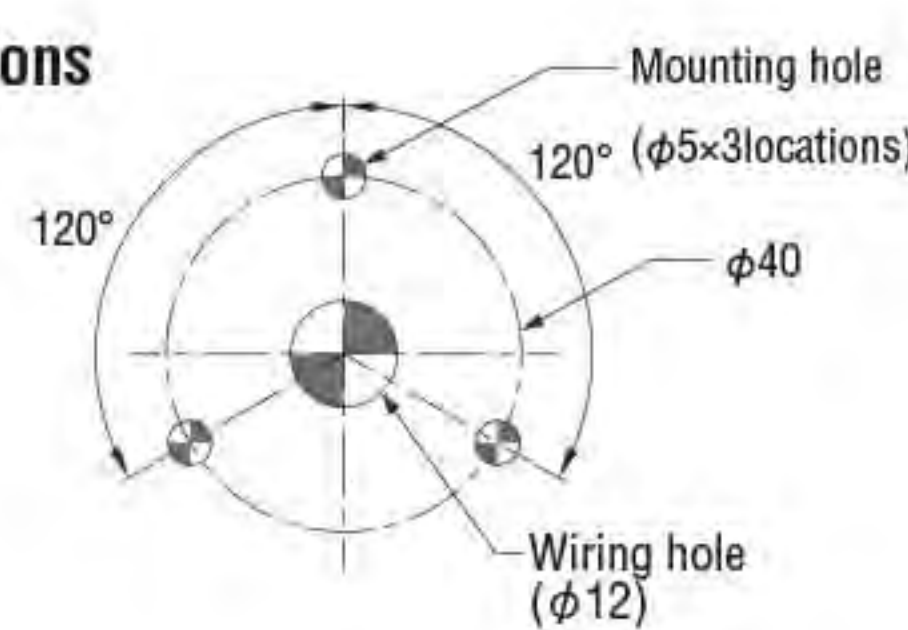
Tiltable range



Watch the video

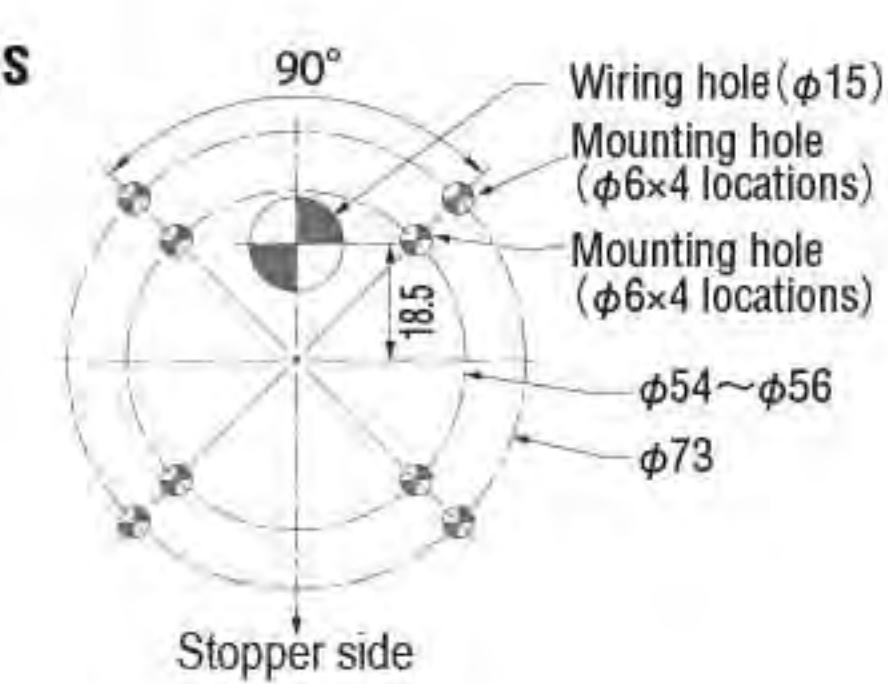
Mounting dimensions (Units:mm)

M4 Screws
Recommended
tightening torque
0.6 N·m



Mounting dimensions (Units:mm)

M5 Screws
Recommended
tightening torque
1.4 N·m



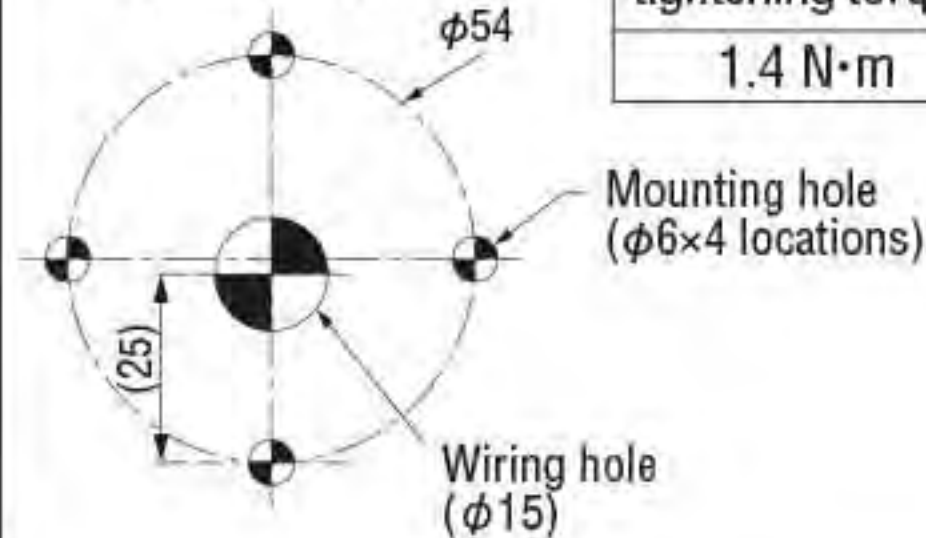
Pole Mounting

Upper Bracket SZP-101

Compatible products
SKH / SF10 / SL10

Corresponding pole
POLE22-AN
POLE22-AT

Mounting dimensions (Units:mm)



M5 Screws
Recommended
tightening torque
1.4 N·m

NPT Bracket SZP-102

Compatible products
SKS / SF08 / SL08

NPT Bracket SZP-103

Compatible products
SKH / SF10 / SL10

NPT Bracket SZP-104

Compatible products
SKP / SL15

NPT Bracket SZP-090U

Compatible products
LR4-WJ / LR5-WJ / LR5-WT / LR5-KT

NPT Bracket SZP-091U

Compatible products
LR6-WJ / LR7-WJ / LR7-WT / LR7-KT

* Use mounting rubber gasket when installing 3-screw mounting type units.
Bracket does not support AC cord with plug.

Optional Parts

LAN/USB/PoE/Wireless

Signal Tower

Beacons

Cube Tower

Audible Alarms and MP3 Voice Annunciators

Hybrid Signaling Devices

LED Illumination

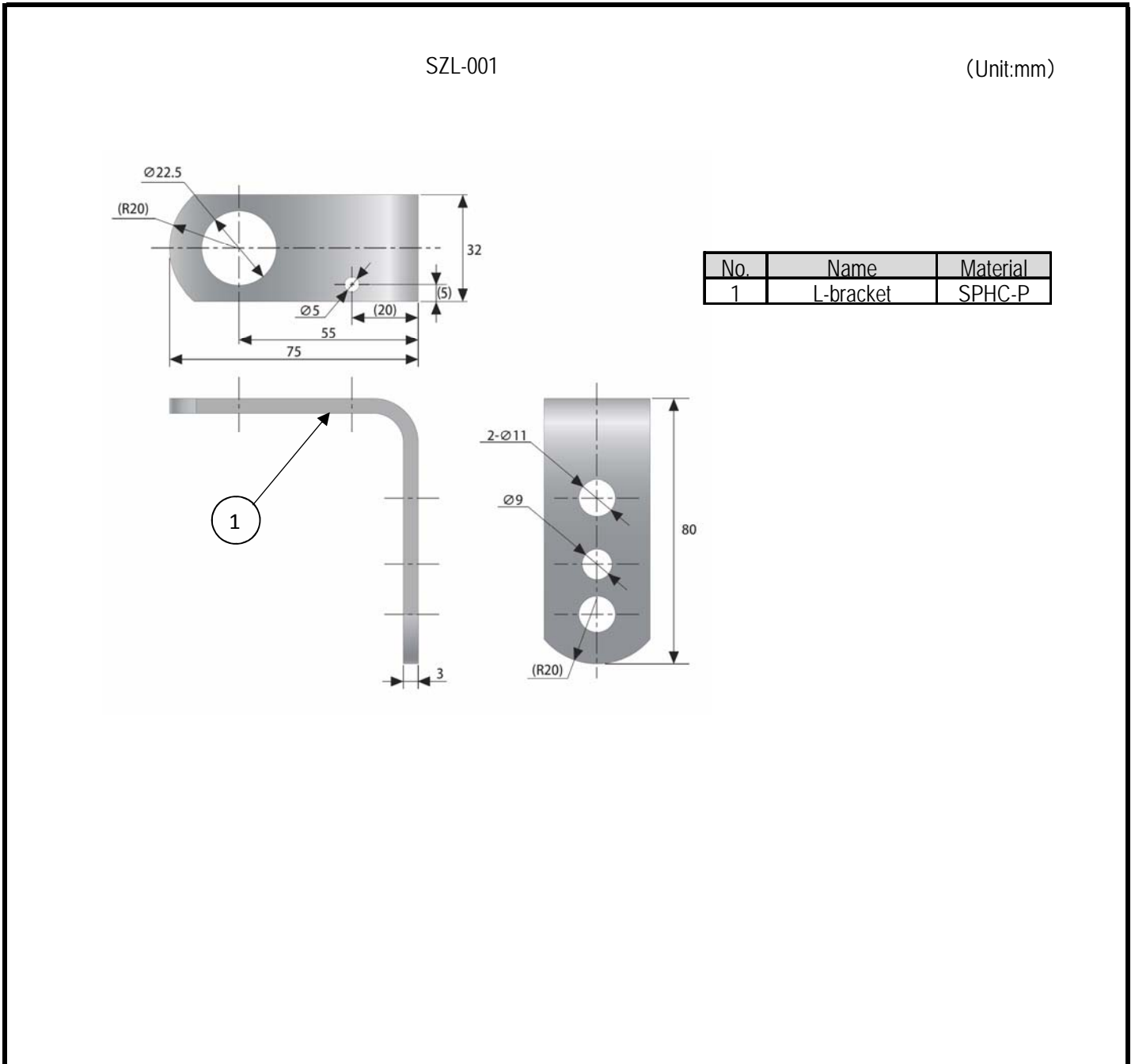
Optional Parts

SPECIFICATIONS

1.General Specifications

| | |
|------------------------------|---|
| Model | SZL-001 |
| Applicable Models | List in the website http://www.patlite.com/ |
| Applicable Pole | |
| Mounting Location | Indoor Only |
| Mass (Tolerance $\pm 10\%$) | 0.09kg |
| Outer Dimensions | Refer to the 2.Outer Dimensions |
| Remarks | There are no contents of controlled substances exceeding the threshold for the RoHS |

2.Outer Dimensions



SZL-001-W18B-1_2

PATLITE Corporation

3.Mounting Dimensional Drawing

