

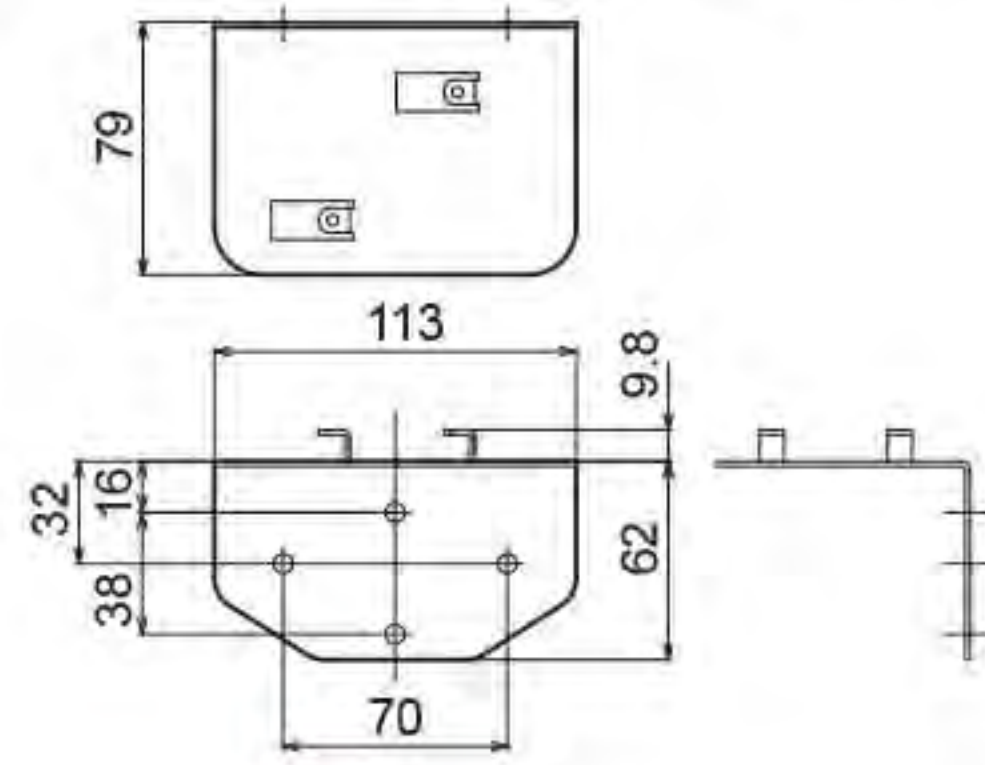
## Wall Mounting

### Wall Mount Bracket (Exposed wiring type)

NH-WST

Compatible products  
NH-FB

### Mounting dimensions (Units:mm)



Material: SECC

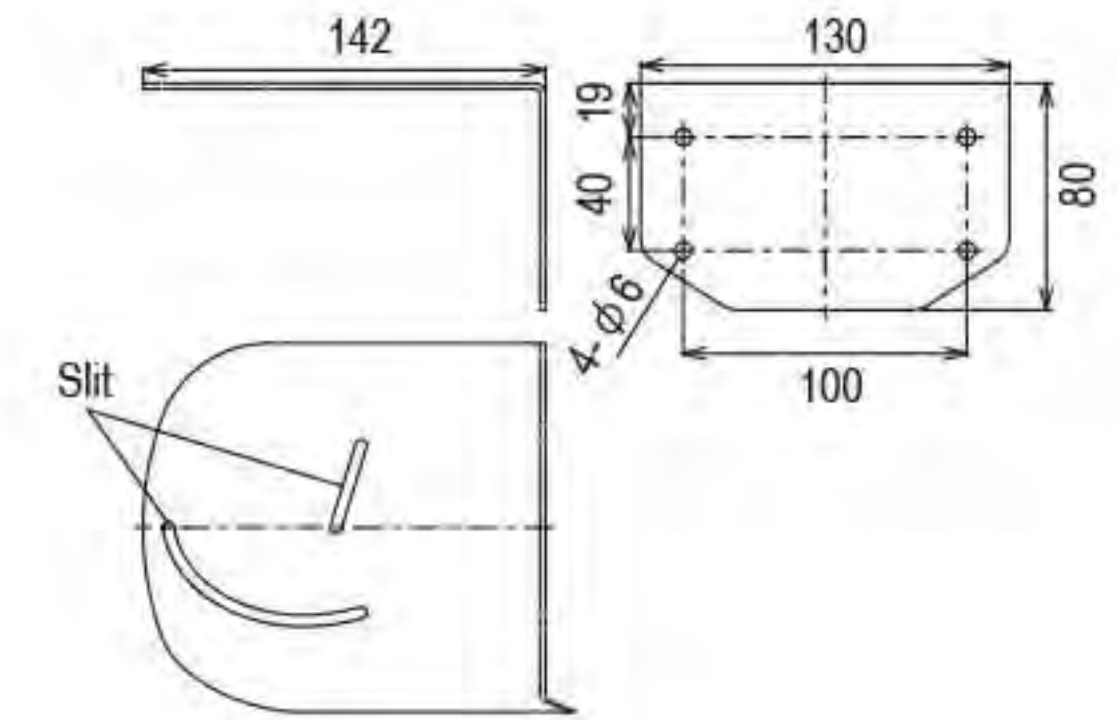
RoHS 10

### Wall Mount Bracket (Exposed wiring type)

NH-WST2

Compatible products  
NH-FV, LA6-POE

### Mounting dimensions (Units:mm)



Material: SECC

RoHS 10

## For T-type Aluminum Pole

### L-bracket SZL-001

Compatible products  
LR Series

Corresponding pole  
POLE22-AT

### Circular Multi-mount Bracket SZP-001W/U/K

Compatible products  
LR series

Corresponding pole  
POLE22-AN

### Circular Bracket SZP-002U

Compatible products  
LR series

Corresponding pole  
POLE22-AN



Material: PC

RoHS 10



Material: ADC12

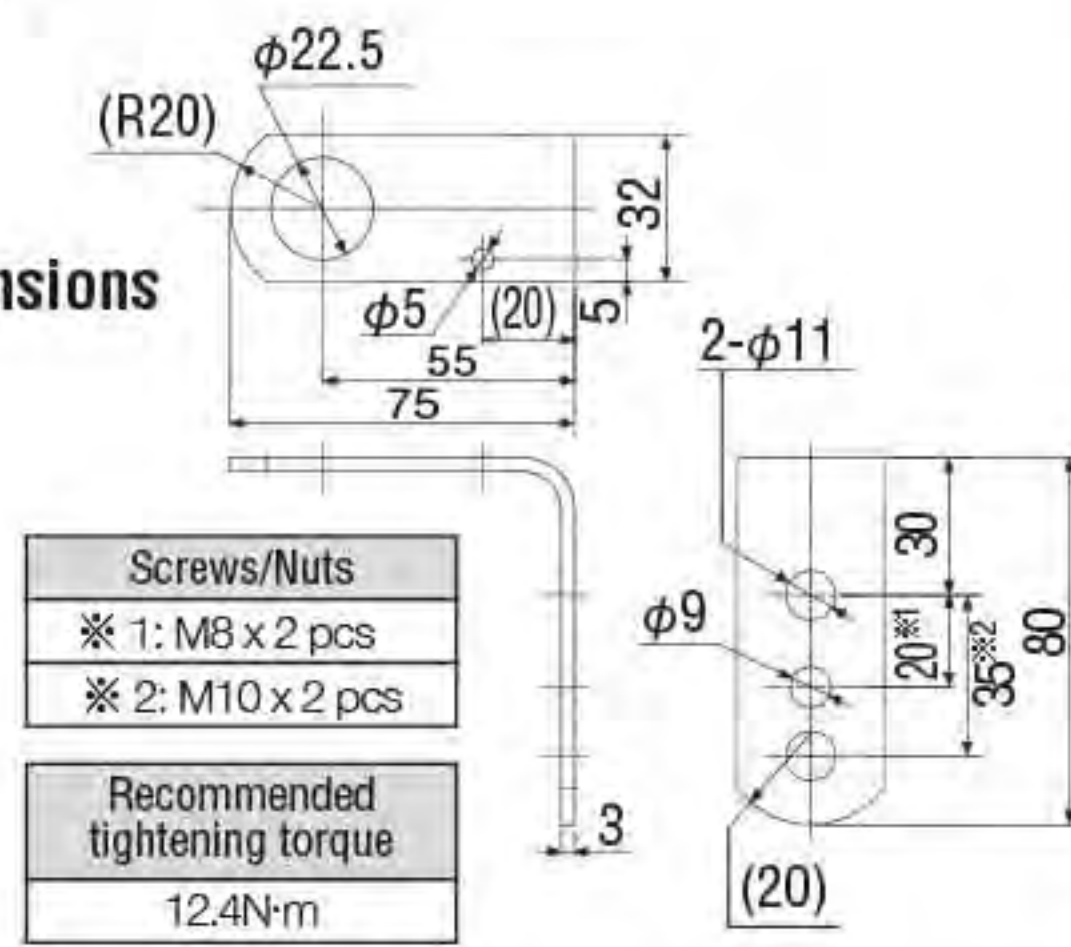
RoHS 10



Material: SPHC-P

RoHS 10

### Mounting dimensions (Units:mm)

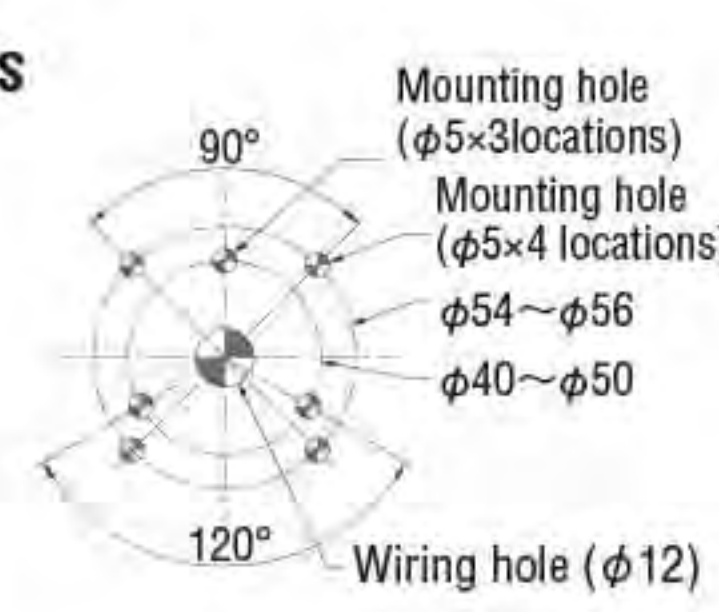


Screws/Nuts  
\* 1: M3 x 2 pcs  
\* 2: M10 x 2 pcs

Recommended  
tightening torque  
12.4N·m

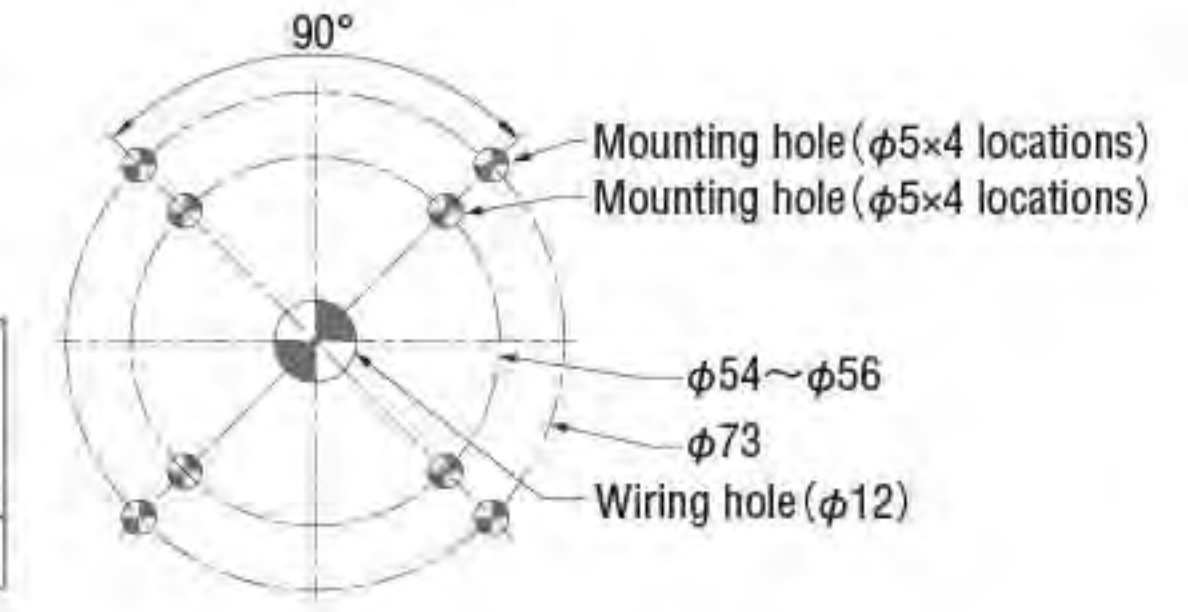
### Mounting dimensions (Units:mm)

M4 Screws  
Recommended  
tightening torque  
0.6 N·m



### Mounting dimensions (Units:mm)

M4 Screws  
Recommended  
tightening torque  
0.6 N·m



## For N/T-type

### Wall Mount Bracket SZK-001U

Compatible products  
LR series

Corresponding pole  
POLE22-AN  
POLE22-AT

### Circular Bracket SZP-003W/U/K

Compatible products  
LR series

Corresponding pole  
POLE22-AN

### Folding Bracket SZQ-001W

Compatible products  
LR series

Corresponding pole  
POLE22-AN



Material: PC

RoHS 10



Material: PC

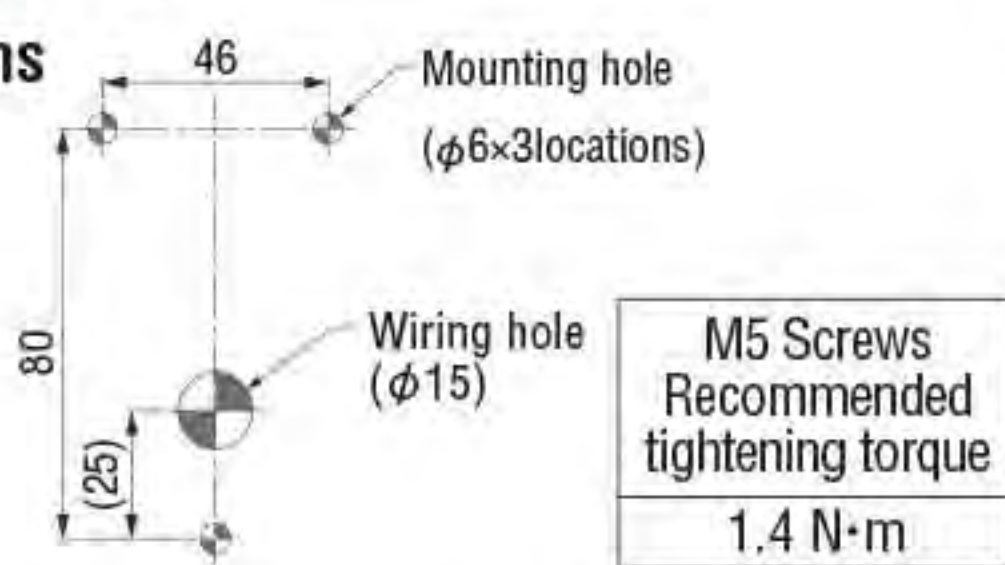
RoHS 10



Material: ADC12

RoHS 10

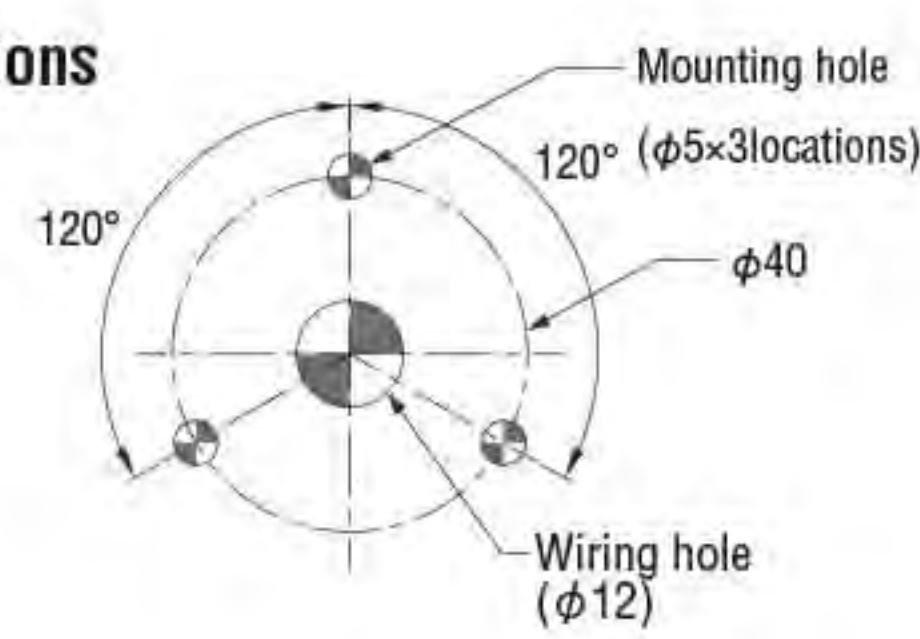
### Mounting dimensions (Units:mm)



M5 Screws  
Recommended  
tightening torque  
1.4 N·m

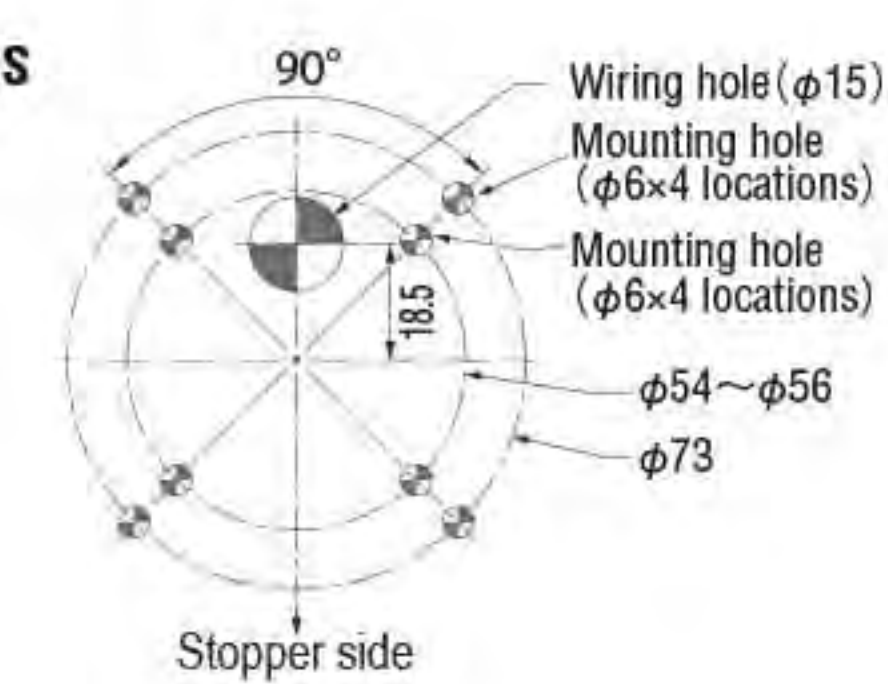
### Mounting dimensions (Units:mm)

M4 Screws  
Recommended  
tightening torque  
0.6 N·m

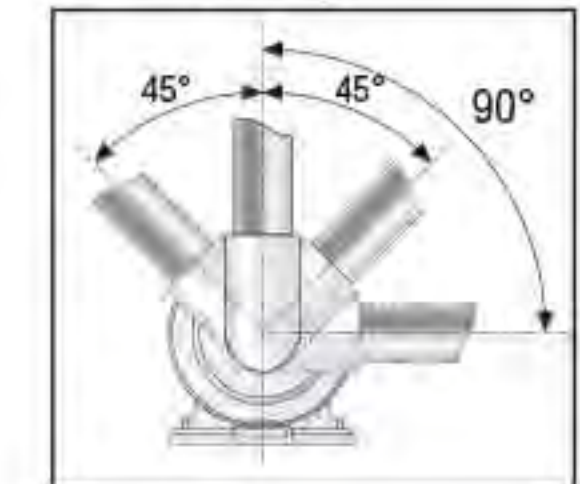


### Mounting dimensions (Units:mm)

M5 Screws  
Recommended  
tightening torque  
1.4 N·m



### Tiltable range



Watch the video

## Pole Mounting

### Upper Bracket SZP-101

Compatible products  
SKH / SF10 / SL10

Corresponding pole  
POLE22-AN  
POLE22-AT

### NPT Bracket SZP-102

Compatible products  
SKS / SF08 / SL08

### NPT Bracket SZP-103

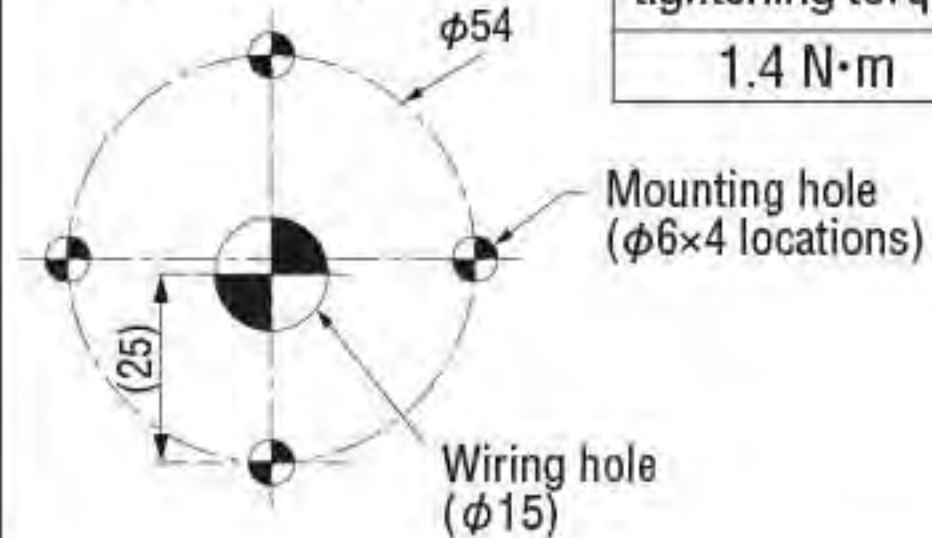
Compatible products  
SKH / SF10 / SL10



Material: PC

RoHS 10

### Mounting dimensions (Units:mm)



M5 Screws  
Recommended  
tightening torque  
1.4 N·m



Material: AL

RoHS 10



Material: AL

RoHS 10



Material: AL

RoHS 10

### NPT Bracket SZP-104

Compatible products  
SKP / SL15



Material: AL

RoHS 10

### NPT Bracket SZP-090U

Compatible products  
LR4-WJ / LR5-WJ / LR5-WT / LR5-KT



Material: AL

RoHS 10

### NPT Bracket SZP-091U

Compatible products  
LR6-WJ / LR7-WJ / LR7-WT / LR7-KT

\* Use mounting rubber gasket when installing 3-screw mounting type units.  
Bracket does not support AC cord with plug.

Optional  
Parts

LAN / USB /  
PoE / Wireless

Signal Tower

Beacons

Cube Tower

Audible Alarms  
and MP3 Voice  
Annunciators

Hybrid Signaling  
Devices

LED Illumination

Optional Parts



# SPECIFICATIONS

## [1.General Specifications]

Model	SZP-001W , SZP-001U , SZP-001K
Applicable Models	List in the website <a href="https://www.patlite.com/">https://www.patlite.com/</a>
Applicable Pole	
Mounting Location	Indoor Only
Protection Rating	IP65(Product Attachment)
Mass (Tolerance ±10%)	0.04kg(Accessory Remove)
Outer Dimensions	Refer to the 2.Outer Dimensions
Remarks	There are no contents of controlled substances exceeding the threshold for the RoHS

## [2.Model Number Configuration]

	Model		Applicable Models	Body Color
Circular Bracket	SZP	-	001	↓
				Body Color
				W Off-white
				U Silver
				K Black

## [3.Outer Dimensions]

SZP-001W , SZP-001U , SZP-001K (Unit:mm)

Color : Off-white , Silver , Black

No.	Name	Material	UL Flammability
1	Circular Bracket	PC	V-2

Accessory	
Waterproof Packing 1pc.	
Pole Waterproof-ring 1pc.	
Binding Head Tapping Screw(M3×12) 2pcs.	

Drawing No.	Rev.	Page
SZP-001-W18	D	2 / 2

[4.Mounting Dimensional Drawing]

