

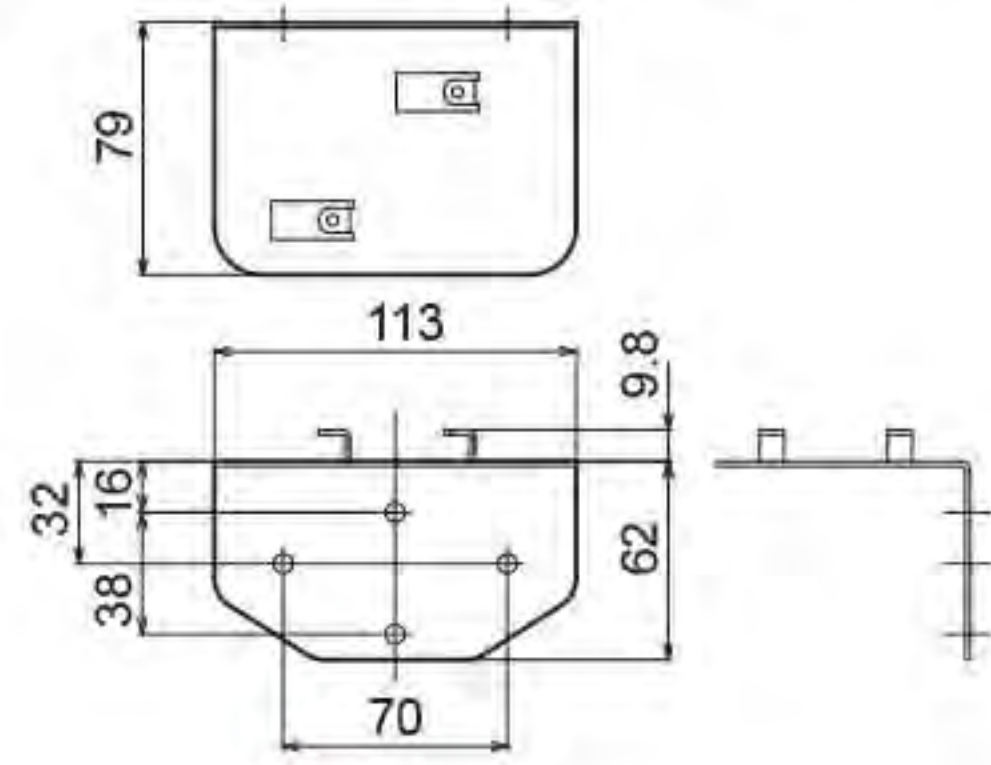
# Wall Mounting

## Wall Mount Bracket (Exposed wiring type)

NH-WST

Compatible products  
NH-FB

### Mounting dimensions (Units:mm)



Material: SECC

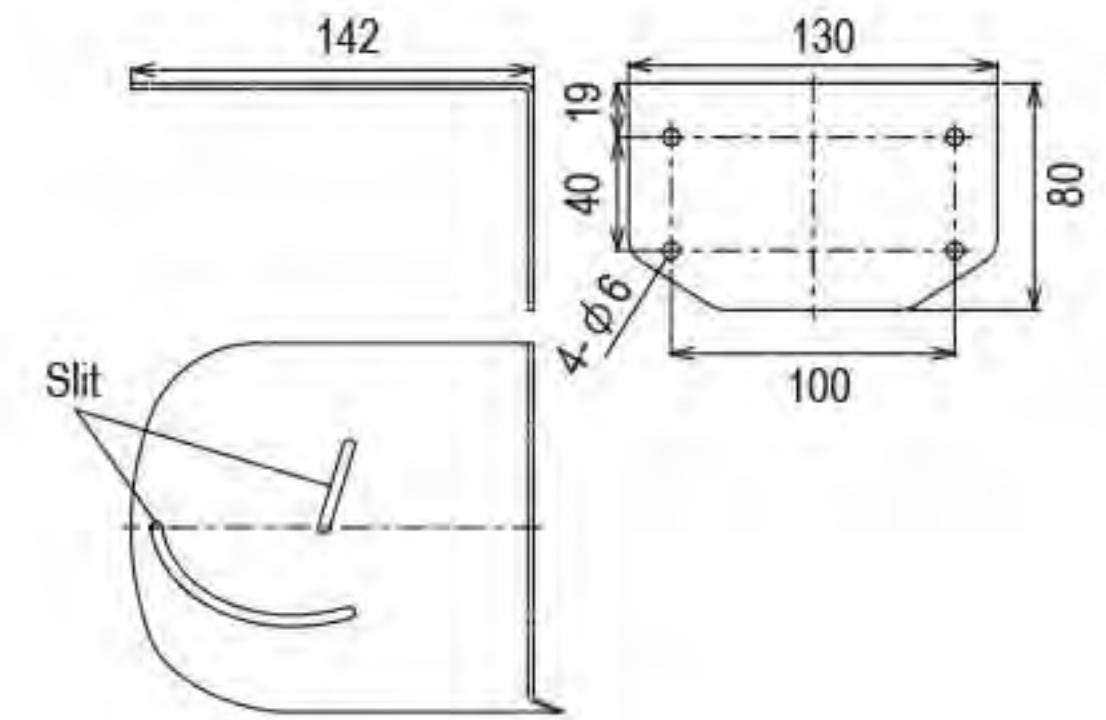
RoHS 10

## Wall Mount Bracket (Exposed wiring type)

NH-WST2

Compatible products  
NH-FV, LA6-POE

### Mounting dimensions (Units:mm)



Material: SECC

RoHS 10

# For T-type Aluminum Pole

## L-bracket SZL-001

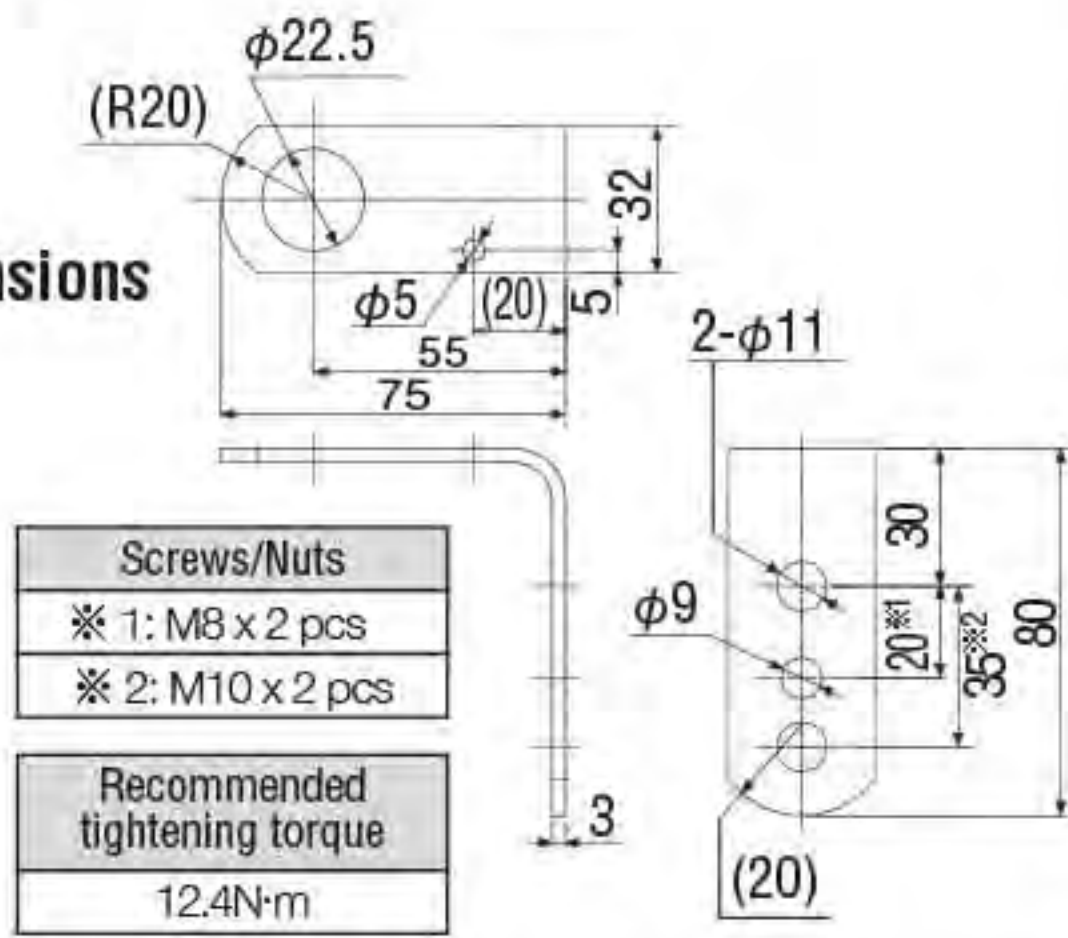
Compatible products  
LR Series

Corresponding pole  
POLE22-AT

Material: SPHC-P

RoHS 10

### Mounting dimensions (Units:mm)



# For N-type Aluminum Pole

## Circular Multi-mount Bracket SZP-001W/U/K

Compatible products  
LR series

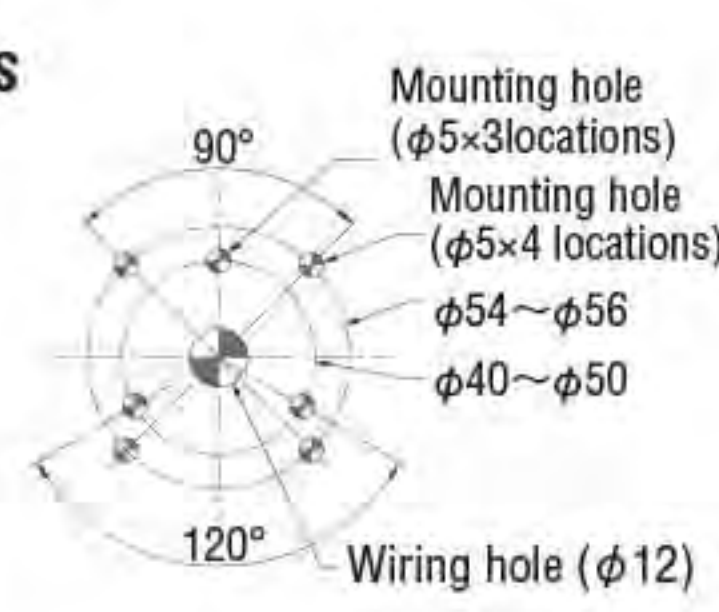
Corresponding pole  
POLE22-AN

Material: PC

RoHS 10

### Mounting dimensions (Units:mm)

M4 Screws  
Recommended  
tightening torque  
0.6 N·m



## Circular Bracket SZP-002U

Compatible products  
LR series

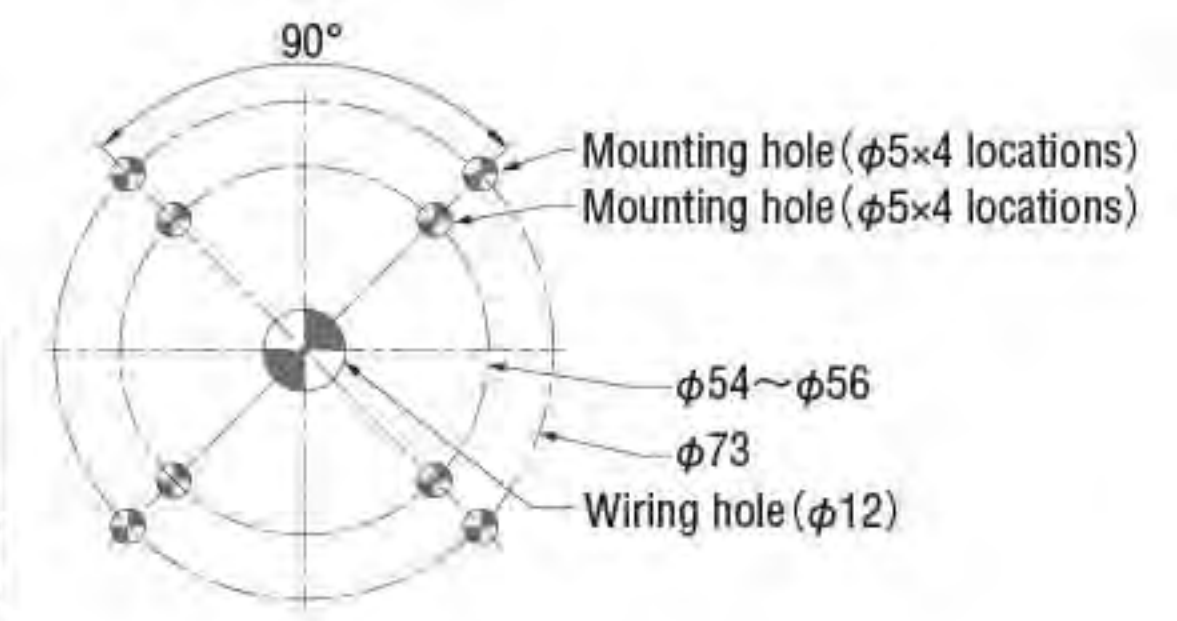
Corresponding pole  
POLE22-AN

Material: ADC12

RoHS 10

### Mounting dimensions (Units:mm)

M4 Screws  
Recommended  
tightening torque  
0.6 N·m



# For N/T-type

## Wall Mount Bracket SZK-001U

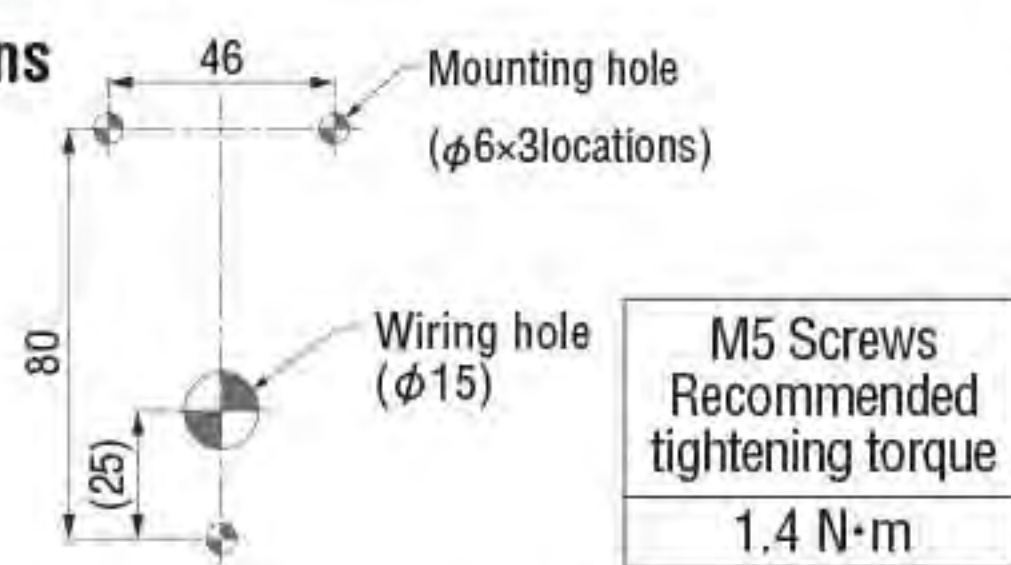
Compatible products  
LR series

Corresponding pole  
POLE22-AN  
POLE22-AT

Material: ADC12

RoHS 10

### Mounting dimensions (Units:mm)



## Circular Bracket SZP-003W/U/K

Compatible products  
LR series

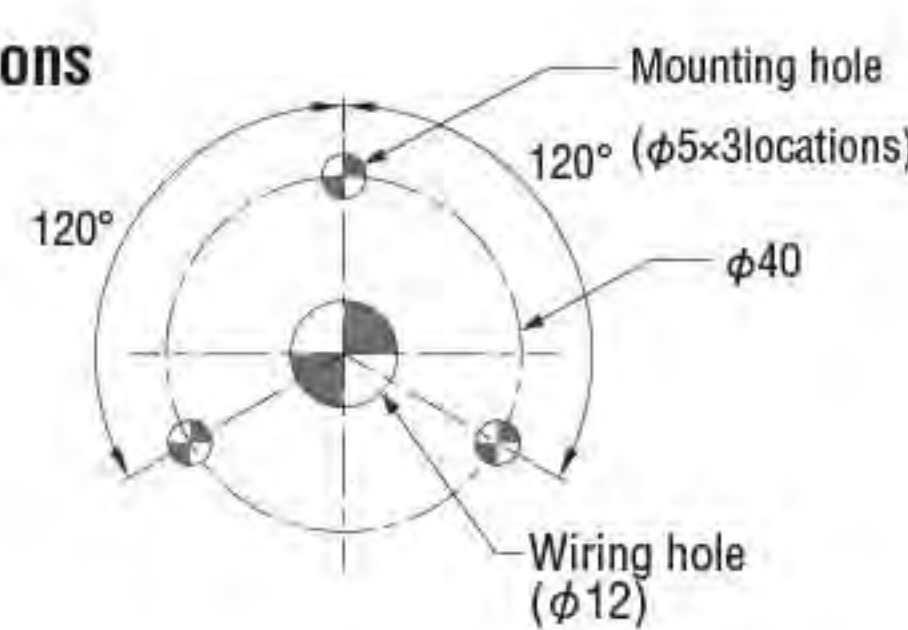
Corresponding pole  
POLE22-AN

Material: PC

RoHS 10

### Mounting dimensions (Units:mm)

M4 Screws  
Recommended  
tightening torque  
0.6 N·m



## Folding Bracket SZQ-001W

Compatible products  
LR series

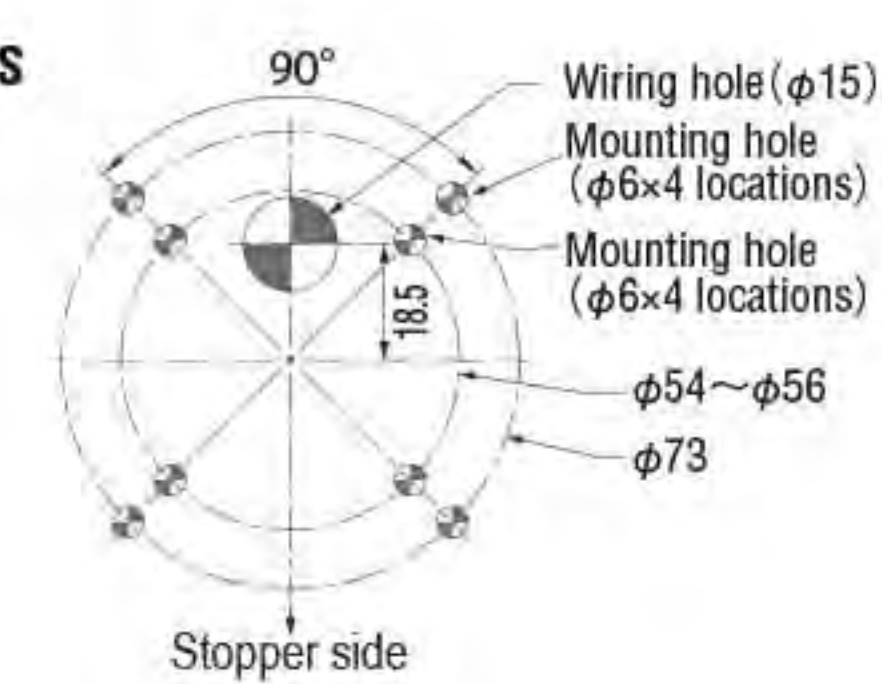
Corresponding pole  
POLE22-AN

Material: PC

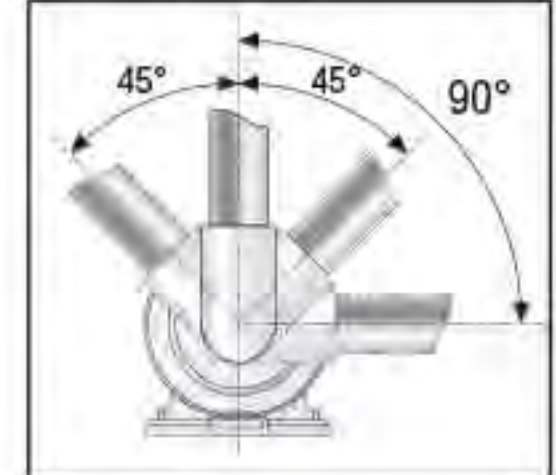
RoHS 10

### Mounting dimensions (Units:mm)

M5 Screws  
Recommended  
tightening torque  
1.4 N·m



### Tiltable range



Watch the video

# Pole Mounting

## Upper Bracket SZP-101

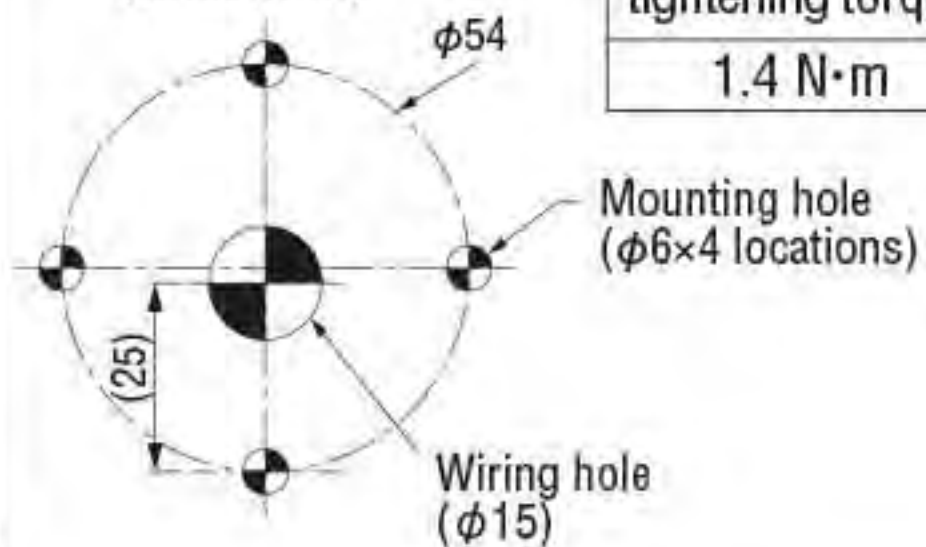
Compatible products  
SKH / SF10 / SL10

Corresponding pole  
POLE22-AN  
POLE22-AT

Material: PC

RoHS 10

### Mounting dimensions (Units:mm)



## NPT Bracket SZP-102

Compatible products  
SKS / SF08 / SL08

Material: AL

RoHS 10

## NPT Bracket SZP-103

Compatible products  
SKH / SF10 / SL10

Material: AL

RoHS 10

## NPT Bracket SZP-104

Compatible products  
SKP / SL15

Material: AL

RoHS 10

## NPT Bracket SZP-090U

Compatible products  
LR4-WJ / LR5-WJ / LR5-WT / LR5-KT

Material: AL

RoHS 10

## NPT Bracket SZP-091U

Compatible products  
LR6-WJ / LR7-WJ / LR7-WT / LR7-KT

Material: AL

RoHS 10

\* Use mounting rubber gasket when installing 3-screw mounting type units.  
Bracket does not support AC cord with plug.

# SPECIFICATIONS

## 1.General Specifications

Model	SZP-002U
Applicable Models	List in the website <a href="http://www.patlite.com/">http://www.patlite.com/</a>
Applicable Pole	
Mounting Location	Indoor Only
Protection Rating	IP20(Product Mounting)
Mass (Tolerance $\pm 10\%$ )	0.11kg(Accessory Remove)
Outer Dimensions	Refer to the 2.Outer Dimensions
Remarks	There are no contents of controlled substances exceeding the threshold for the RoHS

## 2.Outer Dimensions

SZP-002U

(Unit:mm)

No.	Name	Material
1	Circular Bracket	ADC12

Accessory
Pole Waterproof-ring 1pcs.
Binding Head Tapping Screw(M3×12) 2pcs.

Color : Silver

SZP-002-W18B-1\_2

# PATLITE Corporation

### 3.Mounting Dimensional Drawing

