

TPC 191209



Sample image

Order symbol : TPC 191209

Product nr : 5824000

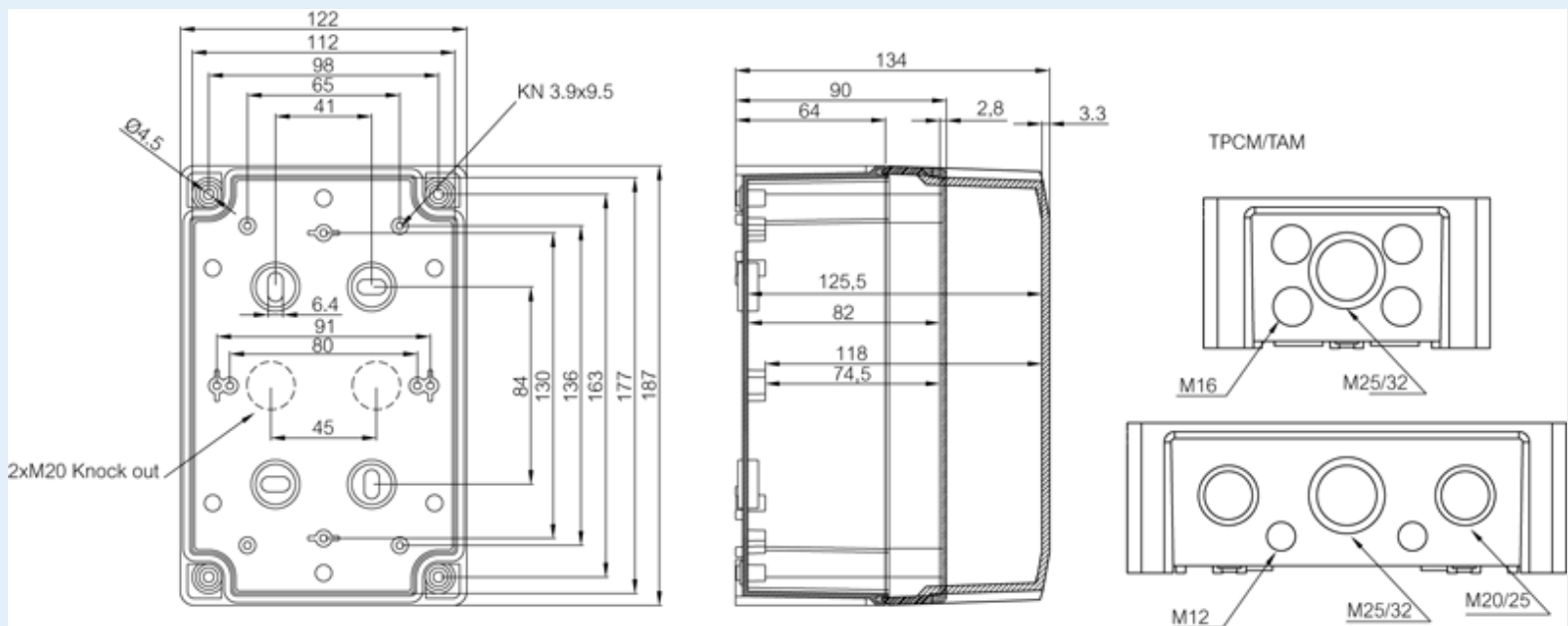
Description : Enclosure, PC

Remarks : Grey cover

EAN : 6418074049797

El. number :

- Finland : 3424410
- Denmark : 8212052071



Dimensions :	Height	Width	Depth
mm :	187	122	90
inch :	7.36	4.8	3.54

Materials :

Material : Polycarbonate

Accessories :

- MIV 10 DIN-35 Mounting rail, for enclosures: (100 x 35 x 1)
- MP 1912 Mounting plate, for enclosures:
- DH-3 DIN-35 Mounting rail, for enclosures: (140 x 35 x 1)
- FP 10674 Wall fastening lug (2 pcs) incl. screws

Ratings :

Ingress protection (EN 60529): IP65;

Temperature °F (continuous) : -40 ... 175

Impact Resistance (EN 62262):	IK07; IK08;
electrical_insulation :	Totally insulated
Halogen free (DIN/VDE 0472, Part 815) :	Yes
UV resistance :	UL 746C
Flammability Rating :	UL 94 V0
Glow Wire Test (IEC 695-2-1) °C :	960C

Certificates :

Certificate FI 40343