

M12-Splitters/T-Connectors

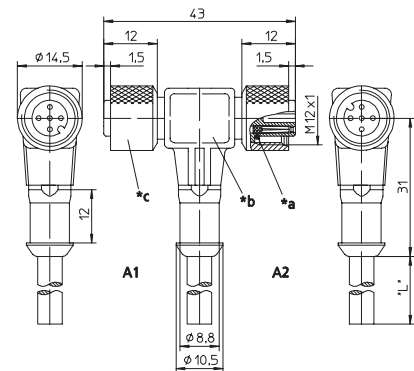
ZV 2



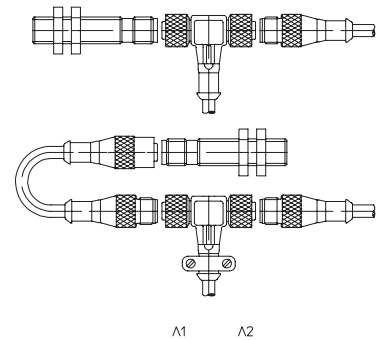
M12 Male / Female

Splitter/T-connector, double female (2 port distribution box) with self-locking threaded joint, 3-poles with molded cable.

ZV 2



*a O-Ring
*b hose mounting
*c coupling nut black



Pin Assignments

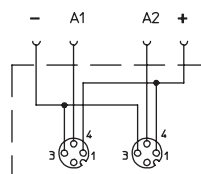
M12 Female

3 poles



- 1 = brown
- 2 = n.c.
- 3 = blue
- 4 = black (A1) / white (A2)

Wiring Diagram





Be Certain with Belden

M12-Splitters/T-Connectors
ZV 2

Technical Data

Environmental

Degree of protection IP 67 / NEMA 6P
Operating temperature range -25°C (-13°F) / +80°C (+176°F)

Mechanical

Housing / Molded body TPU, self-extinguishing
Insert TPU, self-extinguishing
Contact CuZn, pre-nickel and 0.8 microns gold-plated
Coupling nut CuZn, nickel-plated
O-ring FKM

Electrical

Contact resistance ≤ 5 mΩ
Nominal current at 40°C 4 A
Nominal voltage 60 V
Rated voltage 63 V
Test voltage 2.0 kV eff. / 60 s
Insulation resistance > 10⁹ Ω
Pollution degree 3

Cable Specifications

Cable No.	Outer Jacket	Gauge	Jacket Color	OD	Agency Approvals
225	PUR, halogen-free	4 x 0.34 mm ²	Black	.185" (4.7 mm)	UL: AWM 20233 / CSA: AWM I/II A/B

Part Number	Pins	Outer Jacket	Standard Cable Lengths	Characteristics
ZV 2 4-3-225/...M	3	PUR, halogen-free	2 M / 5 M / 10 M	