

M12-A

Series	763
Contacts	4, 5, 8
Coding	A
Thread	M12
Rated current	4 A (3 A UL), 1,5 A (2A UL)
Rated voltage	250 V, 60 V, 30 V
Degree of protection	IP68 in mated condition
Contact plating	Au (gold)
Termination	single wires AWG24/7



M12 Male Panel Mount Connector, Positionable, Lockable

- Square flange consisting of a separate housing and contact carrier
- Separate processing of housing and wires for subsequent mounting possible
- AWG24/7 wires ensure a fast and easy (direct) processing
- Different cable outlet directions for angled connectors are possible due to the variable positioning of the coding
- Available from 11/17 on



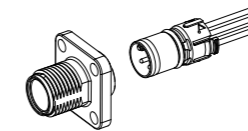
Description	Drawing	Contacts	Coding	Ordering-No.
Male panel mount connector, rectangular flange, positioning possible, lockable	<p>Insert can be twisted in 45°.</p>	4	A	99 3433 100 04
		5		99 3443 100 05
		8		99 3483 100 08

Assembly instruction

Assembly:
1. Insert the insert into the housing in the desired mounting position until it locks securely into place.

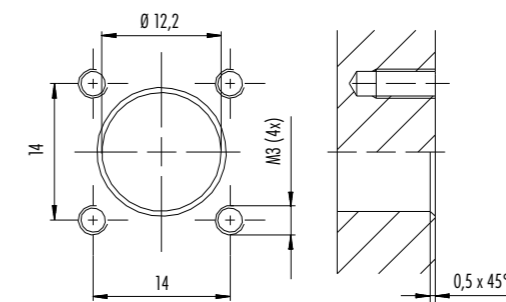
Disassembly:
1. Press the locking lever.
2. Simultaneously, without damaging the contacts, push out the contact body from plug-in side with a suitable object.

Note:
Please do not pull on single wires during disassembly!



Panel cut out

Panel mount connectors square flange



Requirements for Degree of protection IP67:
1. Use of sealing, Ordering-No. 16 0959 000
2. M3 thread (4x) sealed as a threaded blind holes or screw heads

