

M12-A

Series	763, 765
Contacts	3, 4, 5, 8, 12
Coding	A
Thread	M12 x 1
Rated current	4 A, 2 A, 1,5 A
Rated voltage	250 V, 125 V, 60 V
Degree of protection	IP69K
Contact plating	Au (gold)
Termination	moulded
Cable	TPVHF



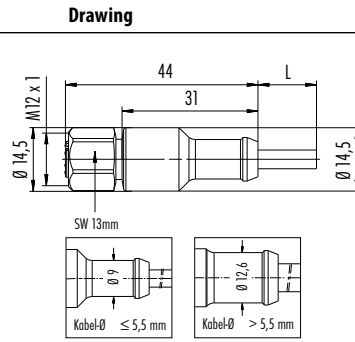
M12 A-Coded Connectors for Food and Beverage Acc. to FDA

- For applications in the field of food and pharmaceutical as well as chemical industry
- Certification according to Ecolab
- According to FDA 21 CFR
- Stainless steel locking rings (V4A)
- Protection degree IP69K
- Type M12 in all pole numbers
- Attractive design in grey
- Available from now on

Description	Drawing	Contacts	Cod.	Cable length	Ordering-No. (acc. to FDA)
Male cable connector, moulded		3	A	2 m	77 3729 0000 40403-0200
				5 m	77 3729 0000 40403-0500
		4	A	2 m	77 3729 0000 40404-0200
				5 m	77 3729 0000 40404-0500
		5	A	2 m	77 3729 0000 40405-0200
				5 m	77 3729 0000 40405-0500
		8	A	2 m	77 3729 0000 40908-0200
				5 m	77 3729 0000 40908-0500
		12	A	2 m	77 3729 0000 40912-0200
				5 m	77 3729 0000 40912-0500
Male angled connector, moulded		3	A	2 m	77 3727 0000 40403-0200
				5 m	77 3727 0000 40403-0500
		4	A	2 m	77 3727 0000 40404-0200
				5 m	77 3727 0000 40404-0500
		5	A	2 m	77 3727 0000 40405-0200
				5 m	77 3727 0000 40405-0500
		8	A	2 m	77 3727 0000 40908-0200
				5 m	77 3727 0000 40908-0500
		12	A	2 m	77 3727 0000 40912-0200
				5 m	77 3727 0000 40912-0500

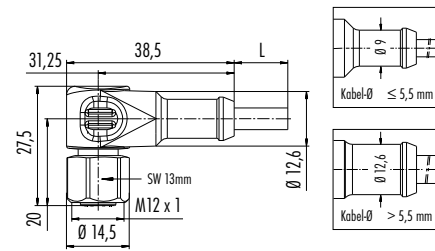
Description

Female cable connector, moulded



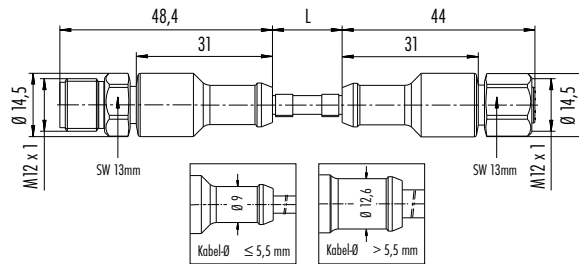
Contacts	Cod.	Cable length	Ordering-No. (acc. to FDA)
3		2 m	77 3730 0000 40403-0200
		5 m	77 3730 0000 40403-0500
4		2 m	77 3730 0000 40404-0200
		5 m	77 3730 0000 40404-0500
5	A	2 m	77 3730 0000 40405-0200
		5 m	77 3730 0000 40405-0500
8		2 m	77 3730 0000 40908-0200
		5 m	77 3730 0000 40908-0500
12		2 m	77 3730 0000 40912-0200
		5 m	77 3730 0000 40912-0500

Female angled connector, moulded



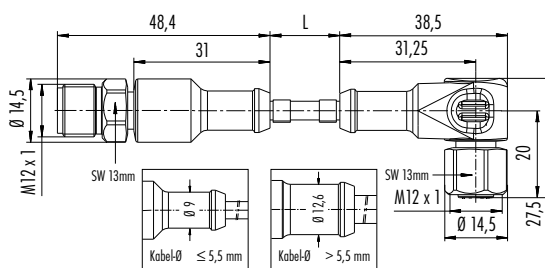
3		2 m	77 3734 0000 40403-0200
		5 m	77 3734 0000 40403-0500
4		2 m	77 3734 0000 40404-0200
		5 m	77 3734 0000 40404-0500
5	A	2 m	77 3734 0000 40405-0200
		5 m	77 3734 0000 40405-0500
8		2 m	77 3734 0000 40908-0200
		5 m	77 3734 0000 40908-0500
12		2 m	77 3734 0000 40912-0200
		5 m	77 3734 0000 40912-0500

Connecting cable, Male cable connector M12 x 1 – Female cable connector M12 x 1



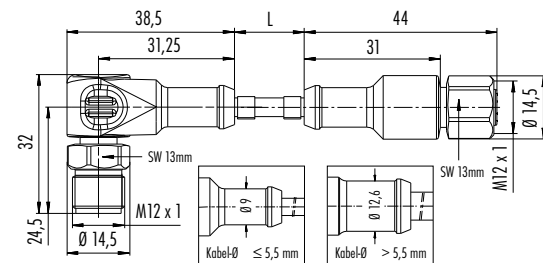
3		2 m	77 3730 3729 40403-0200
		5 m	77 3730 3729 40403-0500
4		2 m	77 3730 3729 40404-0200
		5 m	77 3730 3729 40404-0500
5	A	2 m	77 3730 3729 40405-0200
		5 m	77 3730 3729 40405-0500
8		2 m	77 3730 3729 40908-0200
		5 m	77 3730 3729 40908-0500
12		2 m	77 3730 3729 40912-0200
		5 m	77 3730 3729 40912-0500

Connecting cable, Male cable connector M12 x 1 – Female angled connector M12 x 1



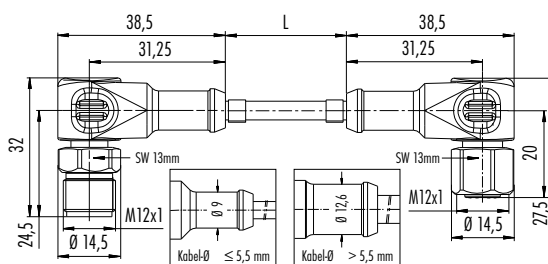
3		2 m	77 3734 3729 40403-0200
		5 m	77 3734 3729 40403-0500
4		2 m	77 3734 3729 40404-0200
		5 m	77 3734 3729 40404-0500
5	A	2 m	77 3734 3729 40405-0200
		5 m	77 3734 3729 40405-0500
8		2 m	77 3734 3729 40908-0200
		5 m	77 3734 3729 40908-0500
12		2 m	77 3734 3729 40912-0200
		5 m	77 3734 3729 40912-0500

Connecting cable, Male angled connector M12 x 1 – Female cable connector M12 x 1



3		2 m	77 3730 3727 40403-0200
		5 m	77 3730 3727 40403-0500
4		2 m	77 3730 3727 40404-0200
		5 m	77 3730 3727 40404-0500
5	A	2 m	77 3730 3727 40405-0200
		5 m	77 3730 3727 40405-0500
8		2 m	77 3730 3727 40908-0200
		5 m	77 3730 3727 40908-0500
12		2 m	77 3730 3727 40912-0200
		5 m	77 3730 3727 40912-0500

Connecting cable, Male angled connector M12 x 1 – Female angled connector M12 x 1



3		2 m	77 3734 3727 40403-0200
		5 m	77 3734 3727 40403-0500
4		2 m	77 3734 3727 40404-0200
		5 m	77 3734 3727 40404-0500
5	A	2 m	77 3734 3727 40405-0200
		5 m	77 3734 3727 40405-0500
8		2 m	77 3734 3727 40908-0200
		5 m	77 3734 3727 40908-0500
12		2 m	77 3734 3727 40912-0200
		5 m	77 3734 3727 40912-0500