

E-BOX M12

→ The **E-BOX M12** is a ready, fully equipped housing including actuators and indicators. Thus, e.g. emergency stop, on-off and up / down functions, also be realized with additional status displays with the very compact dimensions of the E-BOX.

Mounting: screw the clip, fit the box, plug in, check and finished.

The E-BOX M12 can be used anywhere that single command equipment units are required at remote locations. Typically, for example, for emergency stop applications along a production facility or on the hard guard. The dimensions of the E-BOX M12 are based on the edge dimension of a 40 mm mounting rail and the mounting concept is designed accordingly.



Technical Data

→ General information

Color of housing cap	see order block
----------------------	-----------------

→ Dimensions

Dimensions	123,2 mm x 40 mm, height depending on actuators used
------------	------------------------------------------------------

→ Mechanical design

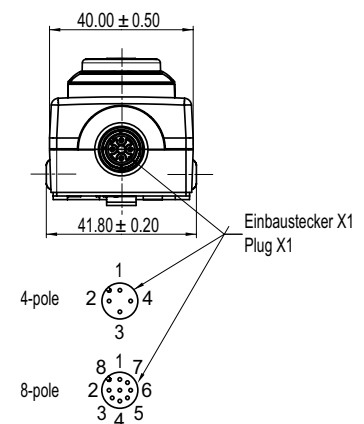
Mounting	with clip in 40 mm aluminum rails
Connection	M12
Plug M12	see order block
Actuator 1	see order block
LED actuator 1	see order block
Actuator 2	see order block
LED actuator 2	see order block

→ Electrical characteristics

Operating voltage AC/DC min.	5 V
Operating voltage AC/DC max.	35 V
Operating current min.	1 mA
Operating current max.	100 mA
Rated power max.	250 mW

→ Other specifications

Protection as per EN 60529	IP65
Protection class	II
Operating temperature min.	-25 °C
Operating temperature max.	+70 °C
Operating life / B10	depending on actuators used
ROHS compliant	yes
REACH compliant	yes



Approvals



UL in preparation