

HAZARDOUS AREA HEATER

CREx 020 | 50 W, 100 W (T5)



Photo Art. No. 02051.0-00



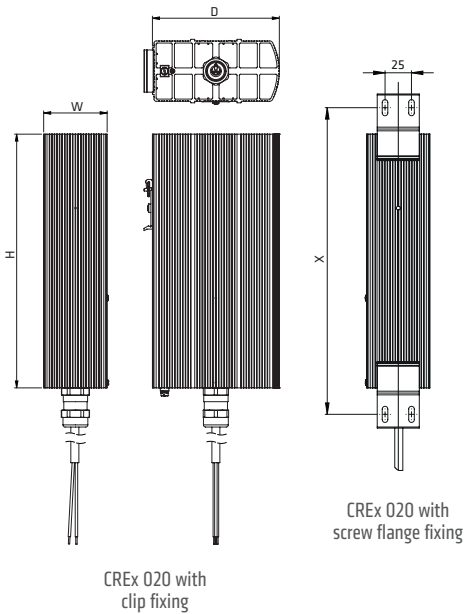
- > For areas with explosion hazard
- > Large convection surface
- > Clip and screw flange fixing
- > Ready-to-use with strain relief
- > Maintenance free
- > Temperature class T5

Compact convection heater of temperature class T5 (100 °C max.) for use in areas with explosion hazard for prevention of formation of condensation, temperature fluctuations, and for protection against frost in control and switch cabinets, as well as in measuring equipment.



TECHNICAL DATA

Temperature class	T5
Ex Protection type	Ex II 2 GD
Gases	Ex db IIC T5 Gb
Dusts	Ex tb IIIC T100°C Db IP66
Ambient temperature	-60 to +50 °C (-76 to +122 °F)
Surface temperature	max. +100 °C (+212 °F)
Heating element	high performance cartridge
Heating body	aluminium profile, silver anodised
Connection	silicone cable (halogen-free) 3 x 0.75 mm ² , length 1 m
Connection PE	0.75 to 2.5 mm ²
Mounting	clip for 35 mm DIN rail, EN 60715 for heating body size 120 x 60 mm; screw fixing with 2 plug-on flanges for all heating body sizes, optional widthwise mounting
Fitting position	vertical airflow (connection on bottom)
Storage temperature	-60 to +85 °C (-76 to +185 °F)
Operating/Storage humidity	max. 90 % RH (non-condensing)
Protection type/Protection class	IP66 / I (earthed)
Approvals	EPS 16 ATEX 1109 X IECEX EPS 16.0048X EAC



Clip fixing Art. No.	Screw flange fixing		Operating voltage	Heating capacity	Rec. pre-fuse T (time-delayed)	Dimensions (D x W x H)	Weight approx.
	Art. No.	Hole spacing X					
02051.0-00	02051.0-10	225 mm	AC 230 V	50 W	0.5 A	120 x 60 x 180 mm	1.4 kg
02051.9-00	02051.9-10	225 mm	AC 120 V	50 W	1.0 A	120 x 60 x 180 mm	1.4 kg
-	02052.0-10	350 mm	AC 230 V	100 W	1.0 A	160 x 80 x 300 mm	2.8 kg
-	02052.9-10	350 mm	AC 120 V	100 W	2.0 A	160 x 80 x 300 mm	2.8 kg

HAZARDOUS AREA HEATER

CREX 020 | 50 W to 200 W (T4)



Photo Art. No. 02042.0-00



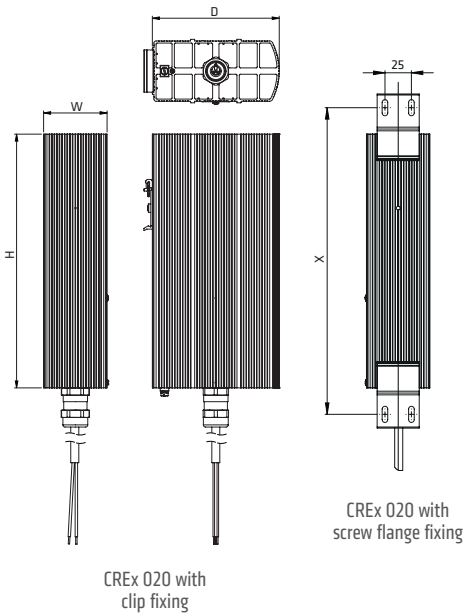
- > For areas with explosion hazard
- > Large convection surface
- > Clip and screw flange fixing
- > Ready-to-use with strain relief
- > Maintenance free
- > Temperature class T4

Compact convection heater of temperature class T4 (135 °C max.) for use in areas with explosion hazard for prevention of formation of condensation, temperature fluctuations, and for protection against frost in control and switch cabinets, as well as in measuring equipment.



TECHNICAL DATA

Temperature class	T4
Ex Protection type	Ex II 2 GD
Gases	Ex db IIC T4 Gb
Dusts	Ex tb IIIC T135°C Db IP66
Ambient temperature	-60 to +50 °C (-76 to +122 °F)
Surface temperature	max. +135 °C (+275 °F)
Heating element	high performance cartridge
Heating body	aluminium profile, silver anodised
Connection	silicone cable (halogen-free) 3 x 0.75 mm ² , length 1 m
Connection PE	0.75 to 2.5 mm ²
Mounting	clip for 35 mm DIN rail, EN 60715 for heating body sizes 80 x 48 mm and 120 x 60 mm; screw fixing with 2 plug-on flanges for all heating body sizes, optional widthwise mounting
Fitting position	vertical airflow (connection on bottom)
Storage temperature	-60 to +85 °C (-76 to +185 °F)
Operating/Storage humidity	max. 90 % RH (non-condensing)
Protection type/Protection class	IP66 / I (earthed)
Approvals	EPS 16 ATEX 1109 X IECEX EPS 16.0048X EAC



Clip fixing	Screw flange fixing		Operating voltage	Heating capacity	Rec. pre-fuse T (time-delayed)	Dimensions (D x W x H)	Weight approx.
Art. No.	Art. No.	Hole spacing X					
02041.0-00	02041.0-10	150 mm	AC 230 V	50 W	0.5 A	80 x 48 x 110 mm	0.7 kg
02041.9-00	02041.9-10	150 mm	AC 120 V	50 W	1.0 A	80 x 48 x 110 mm	0.7 kg
02042.0-00	02042.0-10	225 mm	AC 230 V	100 W	1.0 A	120 x 60 x 180 mm	1.4 kg
02042.9-00	02042.9-10	225 mm	AC 120 V	100 W	2.0 A	120 x 60 x 180 mm	1.4 kg
-	02043.0-10	275 mm	AC 230 V	150 W	1.5 A	160 x 80 x 220 mm	2.3 kg
-	02043.9-10	275 mm	AC 120 V	150 W	3.0 A	160 x 80 x 220 mm	2.3 kg
-	02044.0-10	350 mm	AC 230 V	200 W	2.0 A	160 x 80 x 300 mm	2.8 kg
-	02044.9-10	350 mm	AC 120 V	200 W	4.0 A	160 x 80 x 300 mm	2.8 kg

HAZARDOUS AREA HEATER

CREX 020 | 50 W to 250 W (T3)



Photo Art. No. 02033.0-00



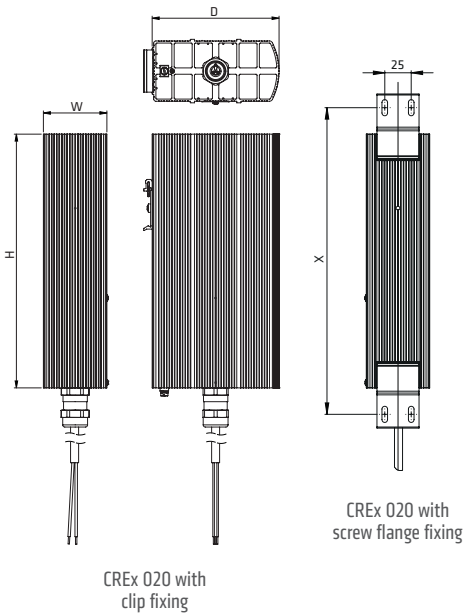
- > For areas with explosion hazard
- > Large convection surface
- > Clip and screw flange fixing
- > Ready-to-use with strain relief
- > Maintenance free
- > Temperature class T3

Compact convection heater of temperature class T3 (200 °C max.) for use in areas with explosion hazard for prevention of formation of condensation, temperature fluctuations, and for protection against frost in control and switch cabinets, as well as in measuring equipment.



TECHNICAL DATA

Temperature class	T3
Ex Protection type	Ex II 2 GD
Gases	Ex db IIC T3 Gb
Dusts	Ex tb IIIC T200°C Db IP66
Ambient temperature	-60 to +85 °C (-76 to +185 °F)
Surface temperature	max. +200 °C (+392 °F)
Heating element	high performance cartridge
Heating body	aluminium profile, silver anodised
Connection	silicone cable (halogen-free) 3 x 0.75 mm ² , length 1 m
Connection PE	0.75 to 2.5 mm ²
Mounting	clip for 35 mm DIN rail, EN 60715 for heating body sizes 80 x 48 mm and 120 x 60 mm; screw fixing with 2 plug-on flanges for all heating body sizes, optional widthwise mounting
Fitting position	vertical airflow (connection on bottom)
Storage temperature	-60 to +85 °C (-76 to +185 °F)
Operating/Storage humidity	max. 90 % RH (non-condensing)
Protection type/Protection class	IP66 / I (earthed)
Approvals	EPS 16 ATEX 1109 X IECEX EPS 16.0048X EAC



Clip fixing	Screw flange fixing		Operating voltage	Heating capacity	Rec. pre-fuse T (time-delayed)	Dimensions (D x W x H)	Weight approx.
Art. No.	Art. No.	Hole spacing X					
02031.0-00	02031.0-10	150 mm	AC 230 V	50 W	0.5 A	80 x 48 x 110 mm	0.7 kg
02031.9-00	02031.9-10	150 mm	AC 120 V	50 W	1.0 A	80 x 48 x 110 mm	0.7 kg
02032.0-00	02032.0-10	225 mm	AC 230 V	100 W	1.0 A	80 x 48 x 180 mm	1.0 kg
02032.9-00	02032.9-10	225 mm	AC 120 V	100 W	2.0 A	80 x 48 x 180 mm	1.0 kg
02033.0-00	02033.0-10	225 mm	AC 230 V	150 W	1.5 A	120 x 60 x 180 mm	1.4 kg
02033.9-00	02033.9-10	225 mm	AC 120 V	150 W	3.0 A	120 x 60 x 180 mm	1.4 kg
02034.0-00	02034.0-10	300 mm	AC 230 V	200 W	2.0 A	120 x 60 x 240 mm	1.7 kg
02034.9-00	02034.9-10	300 mm	AC 120 V	200 W	4.0 A	120 x 60 x 240 mm	1.7 kg
-	02035.0-10	275 mm	AC 230 V	250 W	2.5 A	160 x 80 x 220 mm	2.3 kg
-	02035.9-10	275 mm	AC 120 V	250 W	5.0 A	160 x 80 x 220 mm	2.3 kg

HAZARDOUS AREA THERMOSTAT

REX 011 | 15 °C, 25 °C (T6)



- > For areas with explosion hazard
- > High switching capacity
- > Compact Design
- > Set temperature
- > Ready-to-use with strain relief
- > Temperature class T6

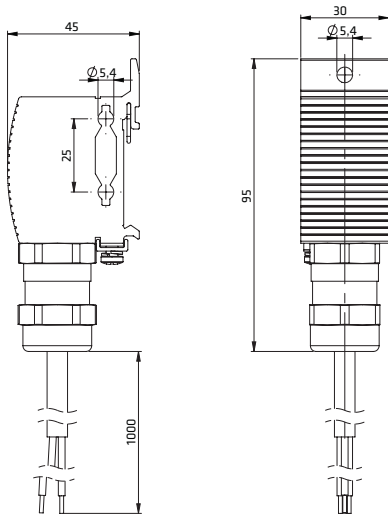
Compact, small mechanical thermostat offering a high response accuracy, small switch temperature difference, and a very long service life (switching cycles). This thermostat of temperature class T6 (85 °C max.) is utilised for the regulation of heaters deployed in areas with explosion hazard. The high switching performance allows direct control of a heater.



TECHNICAL DATA

Temperature class	T6
Ex Protection type	Ex II 2 GD
Gases	Ex db IIC T6 Gb
Dusts	Ex tb IIIC T85°C Db IP66
Ambient temperature	-60 to +85 °C (-76 to +185 °F)
Sensor element	thermostatic bimetal
Service life	> 100,000 cycles
Max. switching capacity	AC 250 V 10 A ¹
Min. switching capacity	DC 1.5 V 5 mA
Max. inrush current	AC 16 A for 12 sec.
Connection	silicone cable (halogen-free) 3 x 1 mm ² , length 1 m
Connection PE	1.0 to 2.5 mm ²
Mounting	clip for 35 mm DIN rail, EN 60715 screw fixing M5, optional widthwise mounting
Casing	aluminium, silver anodised
Dimensions	95 x 45 x 30 mm
Weight	approx. 0.3 kg
Fitting position	variable
Storage temperature	-60 to +85 °C (-76 to +185 °F)
Operating/Storage humidity	max. 90 % RH (non-condensing)
Protection type/Protection class	IP66 / I (earthed)
Approvals	EPS 16 ATEX 1 118 X IECEX EPS 16.0054X EAC

¹ currents above 4 A affect the switch temperature difference



Art. No.	Contact type (1-pole)	Switch temperature	Switch temperature difference
01185.0-00	Contact breaker (NC)	+15 °C (±3 K tolerance)	5 K (±3 K tolerance)
01185.1-00	Contact breaker (NC)	+25 °C (±3 K tolerance)	5 K (±3 K tolerance)