



Features

- With M25 cable entry for big cable diameters
- Compatible with inserts size Han® 3 A

Technical characteristics

Material	polycarbonate
Colour	RAL 7032 (light grey) / RAL 9005 (black)
Locking element	polyamide
Lever type	lever, plastic
Hoods/Housings seal	NBR
Limiting temperatures	-40 °C ... +125 °C
Approval acc. to UL 50	NEMA Type 4/4X/12
Flammability acc. to UL 94	V 0
Degree of protection acc. to DIN EN 60 529	IP44
for coupled connector	IP67 is achieved by usage of sealing screw 09 20 000 9918

Identification	Part number	Cable entry		Dimensions in mm
		metric	Drawing	
Hood Han® 3 A thermoplastic light grey	19 20 003 0430	M25		
Hood Han® 3 A thermoplastic light grey with seal	19 20 003 0433	M25		
Hood Han® 3 A thermoplastic black with seal	19 20 003 0436	M25		
Hood Han® 3 A thermoplastic black	19 20 003 0437	M25		


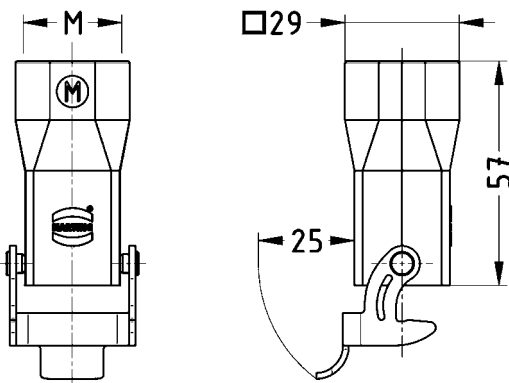




Features

- With M25 cable entry for big cable diameters
- Compatible with inserts size Han® 3 A
- Available in standard, Han® EMC and Han® M version

Technical characteristics

Material	zinc die-cast
Surface standard version	powder-coated RAL 7037 (grey)
Material locking lever	steel zinc-plated
Surface Han® EMC version	non coated electrically conductive
Material locking lever	steel zinc-plated
Surface Han® M version	powder-coated RAL 9005 (black)
Material locking lever	stainless steel
Limiting temperatures	-40 °C ... 125 °C
Degree of protection acc. to EN 60 529 in locked position	IP44 IP65 / IP67 is achieved by usage of sealing screw 09 20 0009918
Cable entry	M25

Identification	Part number	Cable entry		Dimensions in mm
		metric	Drawing	
Cable to cable hood Han® 3 A standard hood 	19 20 003 1755	M25		
Cable to cable hood Han® 3 M 	19 37 003 1755	M25		
Cable to cable hood Han® 3 EMC 	19 62 003 1755	M25		