

Features

- Split hood for easy assembly
- Separate assembly panels for Han® HC Modular and Han-Modular® offer variable mounting options
- Hood and surface mounted housing with external PE termination
- Ideal as motor connector or as jumper connection for the railcar couplings in the transportation sector
- High EMC resistance
- Secure and visible connection of the shielding braid of shielded cables
- Suitable for the transmission of power, signals and data

Technical characteristics

Limiting temperatures	-40 °C ... 125 °C
Degree of protection acc. to DIN 40050	IP69K
Degree of protection acc. to DIN DIN 60529	IP65 / IP68
Tightening torque locking	4 Nm
Material hoods/housings	aluminium die-cast, corrosion resistant
Surface hoods/housings	powder coated
Colour hoods/housings	RAL 9005 (black)
Material locking	stainless steel
Material seal	NBR
Material accessories	metal

Hints

Assembly/removal tool for shield bracket³⁾ 09 99 000 0334

1) Han-Modular® Inserts

See: *HARTING Industrial Connectors Han®, chapter 06*

2) Han-HC® contacts

See: *HARTING Industrial Connectors Han®, chapter 14*

3) Assembly/removal tool for shield bracket

See: *HARTING Industrial Connectors Han®, chapter 90*

Available
May 2017



Angled construction

Identification

Part number

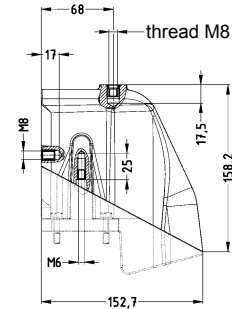
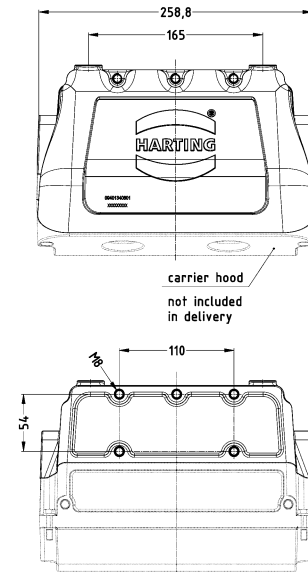
Drawing

Dimensions in mm

Han® 34 HPR EasyCon,
protection cover for angled hood,
screw locking



09 40 134 0601



Tightening torque
external PE termination: 15 Nm

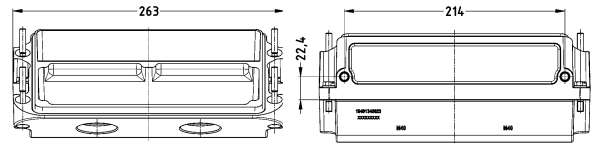
Han® 34 HPR EasyCon,
carrier hood for angled hood,
screw locking

2 x M40

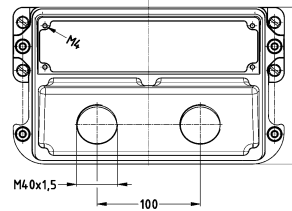


19 40 134 0623

Tightening torque screw locking carrier hood: 6 Nm



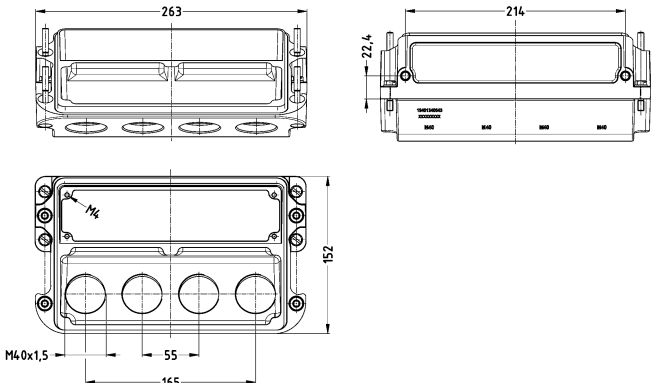
Tightening torque insert: 4 Nm



4 x M40



19 40 134 0643

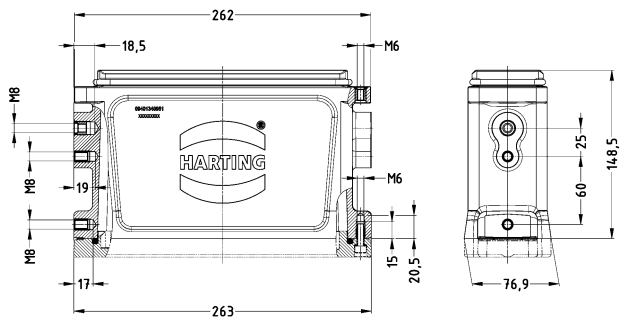


Identification Cable entry Part number Drawing Dimensions in mm

Han® 34 HPR EasyCon
surface mounted housing,
screw locking



09 40 134 0951

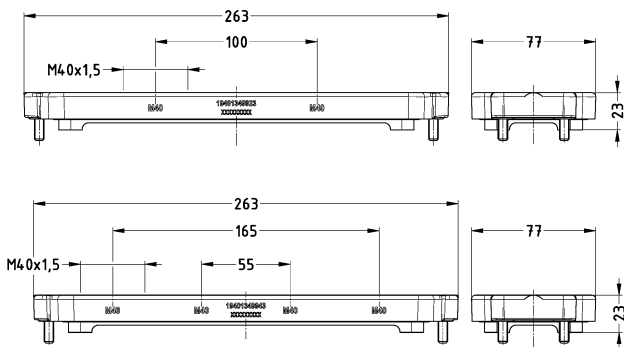



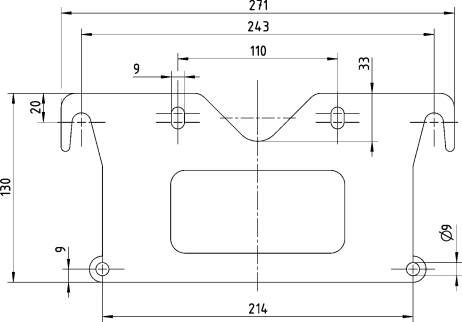

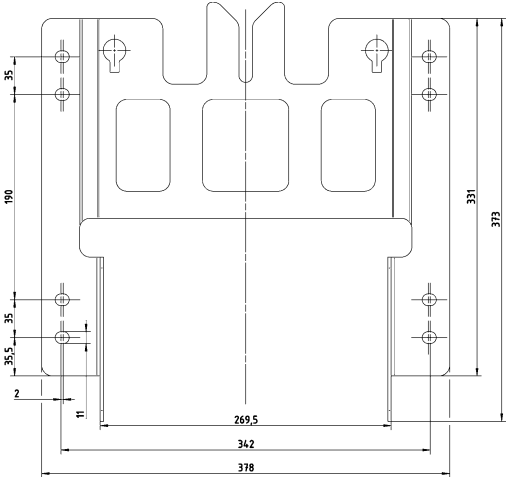


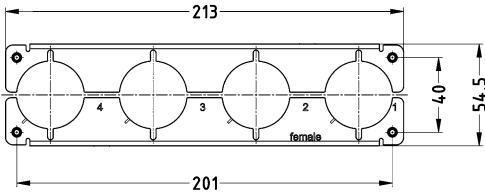
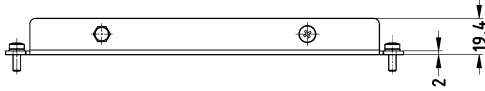
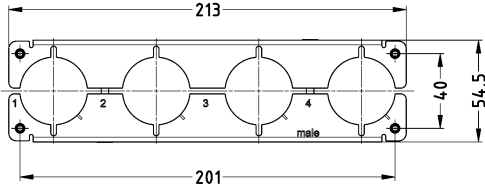
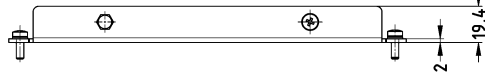
Han® 34 HPR EasyCon
cover,
straight cable entry,
screw locking for hoods and
surface mounted housings



2 x M40
4 x M40

19 40 134 9923
19 40 134 9943



Identification	Part number	Drawing	Dimensions in mm
<p>Hooking panel Han® 34 HPR EasyCon for fixing of hoods: 09 40 134 0601 and 19 40 134 06X3</p> 	09 40 034 9942		
<p>Assembly panel for Han® 34 HPR EasyCon for surface mounted housings</p> 	09 40 034 9941		
<p>Frame Han® 34 HPR EasyCon 4 x HC 650 in angled construction 19 40 134 06X3²⁾</p> <p style="text-align: right;">female</p>  <p style="text-align: right;">male</p> 	<p style="text-align: center;">09 11 034 9974</p> <p style="text-align: center;">09 11 034 9973</p>	   	

Identification

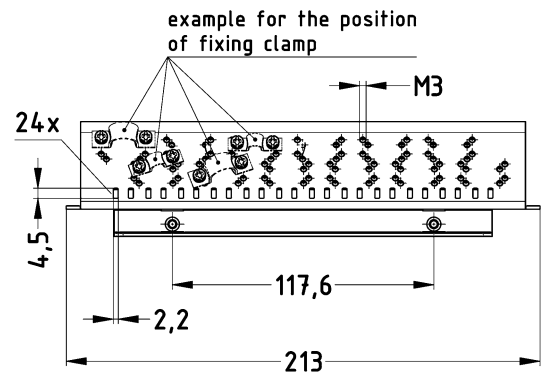
Part number

Drawing

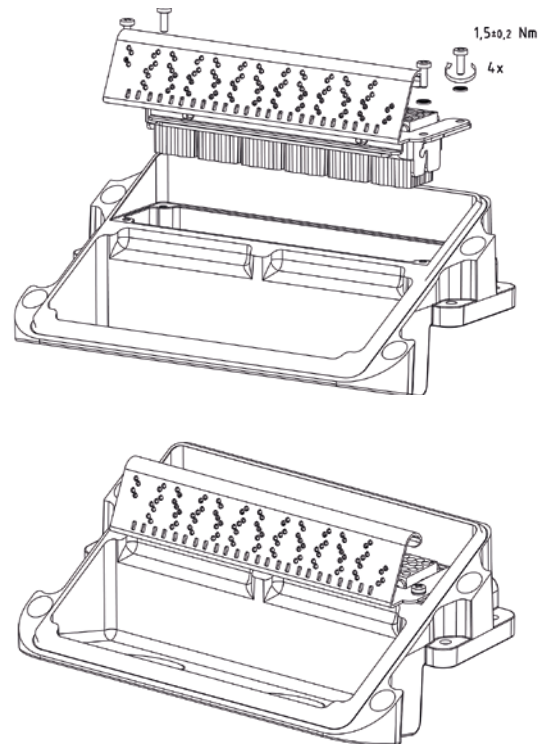
Dimensions in mm



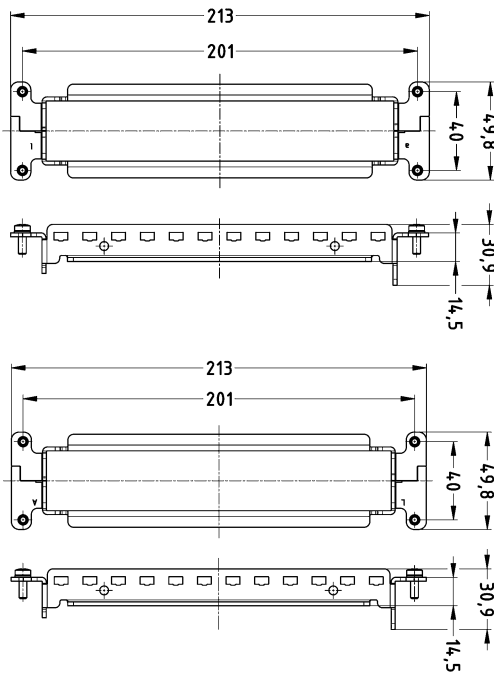


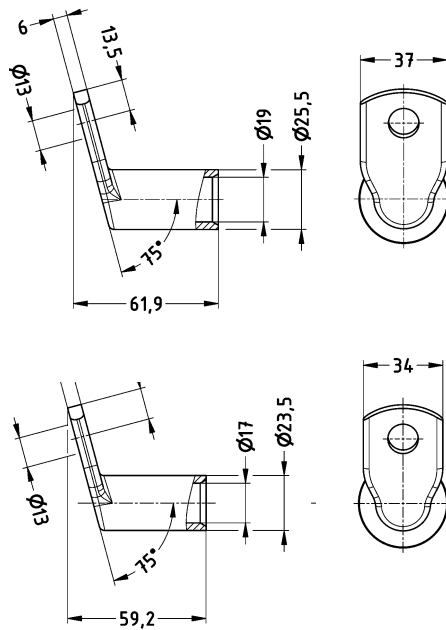

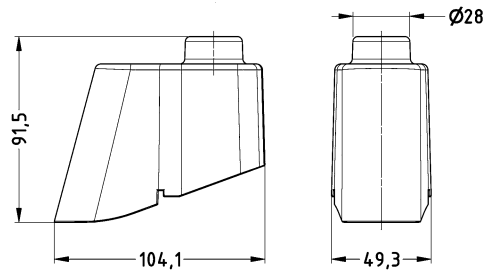
Shield bracket
Han® 34 HPR EasyCon
for use with 09 40 134 06X3

09 11 034 9977



assembly







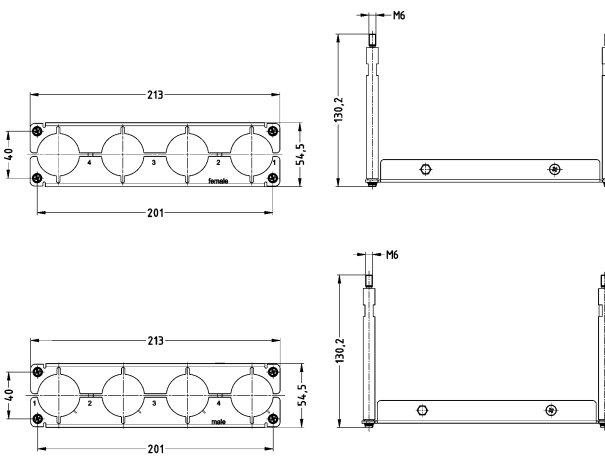

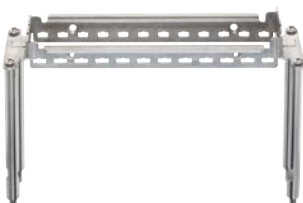
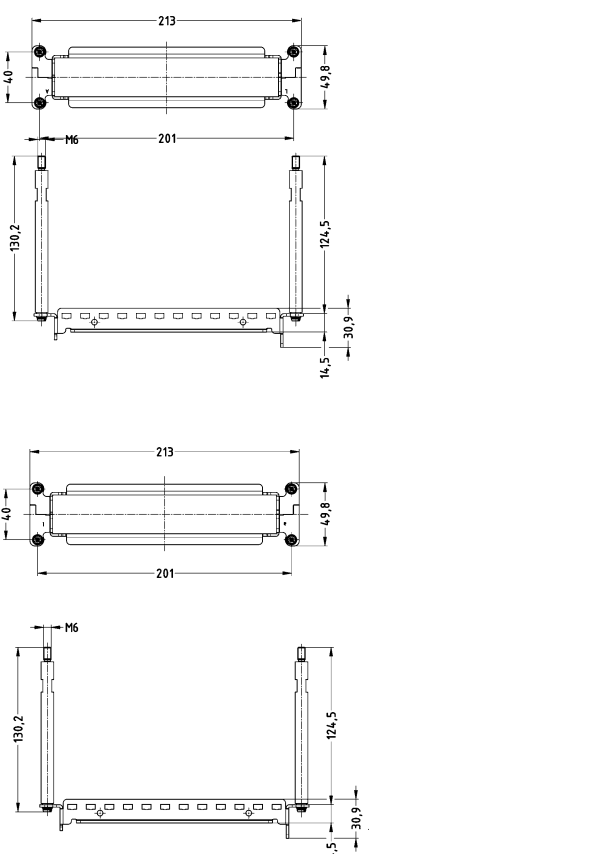

Identification	Part number	Drawing	Dimensions in mm
<p>Frame 12 x modules (marking a-l) Han® 34 HPR in angled construction 19 40 134 06X3¹⁾</p>  <p>Frame 12 x modules (marking A-L) Han® 34 HPR in angled construction 19 40 134 06X3¹⁾</p> 	<p>09 11 034 9975</p> <p>09 11 034 9976</p>		
<p>Cable shoes use with 09 40 134 0601</p> <p>180 mm²</p>  <p>150 mm²</p> 	<p>09 11 000 8119</p> <p>09 11 000 8118</p>		
<p>Plastic cover for cable shoes 09 11 000 8118 and 09 11 000 8119</p> 	<p>09 40 034 9901</p>		

Available
May 2017



Straight construction

Identification	Cable entry	Part number	Drawing	Dimensions in mm
<p>Han® 34 HPR EasyCon surface mounted housing, screw locking</p> 		09 40 134 0951		
<p>Han® 34 HPR EasyCon hood, screw locking</p> 		09 40 134 0451	<p>Tightening torque locking assembly cover: 6 Nm Tightening torque external PE termination: 15 Nm</p>	
<p>Han® 34 HPR EasyCon cover, straight cable entry, screw locking for hoods and surface mounted housings</p> 	2 x M40 4 x M40	19 40 134 9923 19 40 134 9943		

Identification	Part number	Drawing	Dimensions in mm
<p>Frame Han® 34 HPR EasyCon 4 x HC 650</p> <div style="display: flex; justify-content: space-around; align-items: center;">  <div style="text-align: center;"> <p>female</p> <p>male²⁾</p> </div> </div>	<p>09 11 034 9924</p> <p>09 11 034 9923</p>		
<p>Frame 12 x modules (marking a-l) Han® 34 HPR EasyCon¹⁾</p>  <p>Frame 12 x modules (marking A-L) Han® 34 HPR EasyCon¹⁾</p> 	<p>09 11 034 9931</p> <p>09 11 034 9932</p>		
<p>Assembly panel Han® 34 HPR EasyCon in straight construction</p> 	<p>09 40 034 9925</p>		

¹⁾ Han-Modular® Inserts, see: HARTING Industrial Connectors Han®, chapter 06
²⁾ Han-HC® contacts, see: HARTING Industrial Connectors Han®, chapter 14

Identification

Part number

Drawing

Dimensions in mm

Cable gland
EMSKV 40-50, A/F 51
EMC-HV-ES

19 00 000 5032

