

HARTING  
sensor actuator boxes  
with M12 ports



## Features

- Available with 4- and 8-port design
- Different connection technologies for master cable
  - M23, pre-assembled or pluggable cable
- 2 LEDs for operating- and status indicator
- Matching M23 and M12 cable assemblies available
- A-coded (4 or 5 poles)
- Passive sensor actuator boxes

## Technical characteristics

Degree of protection	IP68
Number of channels	1 or 2 per port
Rated current	2 A per contact 12 A max. total
Rated voltage	10 - 30 V DC
Temperature range	-20 °C ... +80 °C
Circuit logic	pnp

### Identification

### Part number

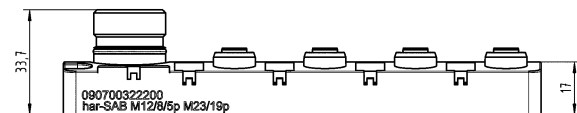
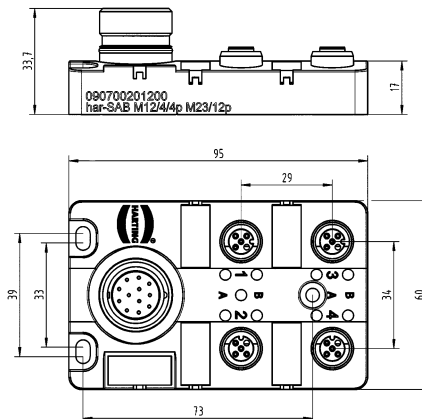
### Drawing

### Dimensions in mm

HARTING  
sensor actuator boxes

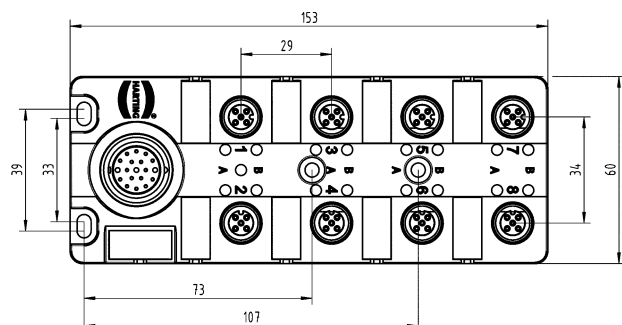
4 x M12, 4 poles  
1 x M23, 12 poles

09 07 002 0120 0



8 x M12, 5 poles  
1 x M23, 19 poles

09 07 003 2220 0



## HARTING sensor actuator boxes with M12 ports



Identification

Part number

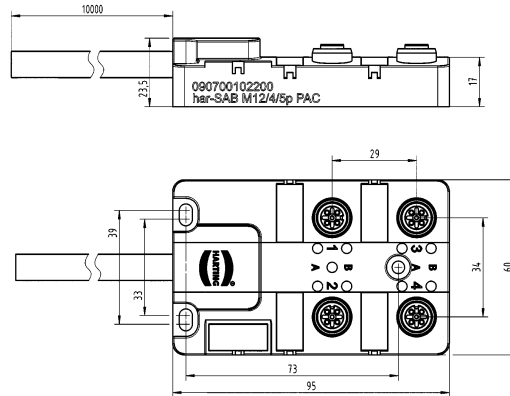
Drawing

Dimensions in mm

HARTING sensor actuator boxes

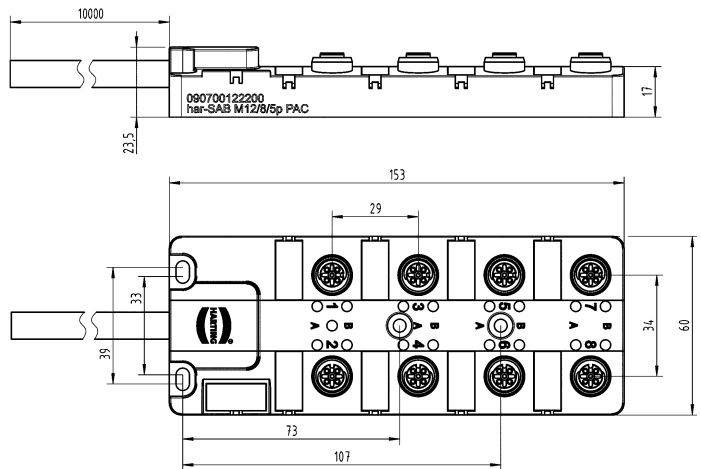
4 x M12, 5 poles pre-assembled cable

09 07 001 0220 0



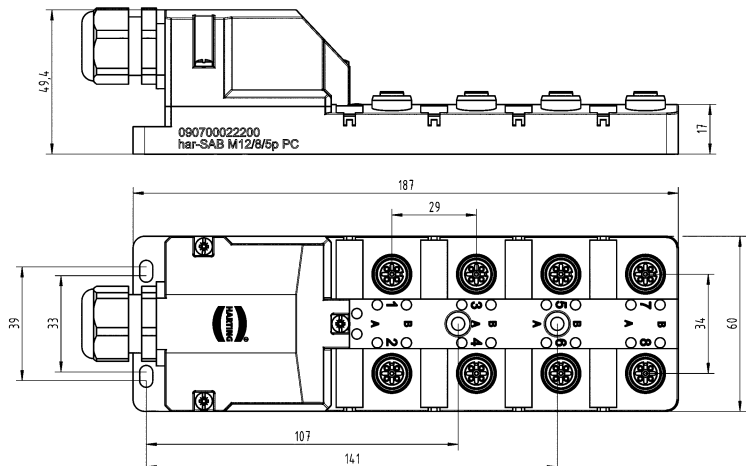
8 x M12, 5 poles pre-assembled cable

09 07 001 2220 0



8 x M12, 5 poles pluggable cable

09 07 000 2220 0





## HARTING sensor actuator boxes with M8 ports

### Features

- Available with 4-, 8- and 10-port design
- Different connection technologies for master cable
  - Pre-assembled cable, M12 or M16
- 2 LEDs for operating- and status indicator
- Matching M8 and M12 cable assemblies available
- A-coded (3 or 4 poles)
- Passive sensor actuator boxes

### Technical characteristics

Degree of protection	IP68	
Number of channels	1 or 2 per port	
Rated current	Pre-assembled / M16	M12, 12 poles
	2 A per contact	1 A per contact
	6 A max. total	1 A max. total
Rated voltage	10 - 30 V DC	
Temperature range	Pre-assembled / M16	M12, 12 poles
	-20 °C ... +80 °C	-25 °C ... +80 °C
Circuit logic	pnp	

Identification	Part number	Drawing	Dimensions in mm
----------------	-------------	---------	------------------

#### HARTING sensor actuator boxes

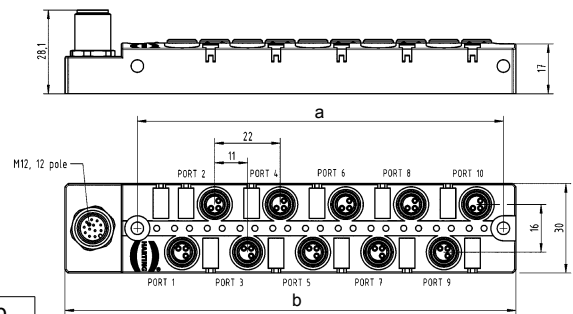
8 x M8, 3 poles  
1 x M12, 12 poles

09 07 006 2010 0

10 x M8, 3 poles  
1 x M12, 12 poles

09 07 006 3010 0

	a	b
8 ports	101	129.5
10 ports	123	151.5



4 x M8, 3 poles  
1 x M16, 14 poles

09 07 004 0010 0

8 x M8, 3 poles  
1 x M16, 14 poles

09 07 004 2010 0

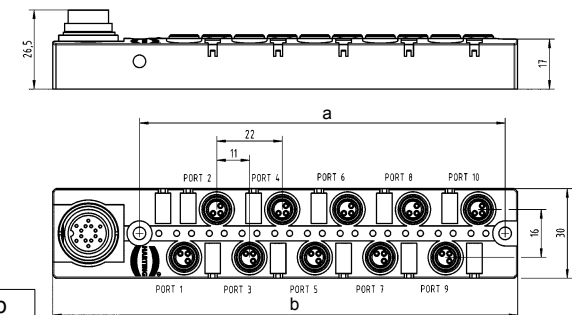
10 x M8, 3 poles  
1 x M16, 14 poles

09 07 004 3010 0

4 x M8, 4 poles  
1 x M16, 14 poles

09 07 004 0110 0

	a	b
4 ports	57	90.4
8 ports	101	134.4
10 ports	123	156.4





## HARTING sensor actuator boxes with M8 ports

Identification	Part number	Drawing	Dimensions in mm
<p>HARTING sensor actuator boxes</p> <p>4 x M8, 3 poles pre-assembled cable</p>	09 07 001 0010 0		
<p>8 x M8, 3 poles pre-assembled cable</p>	09 07 001 2010 0		
<p>10 x M8, 3 poles pre-assembled cable</p>	09 07 001 3010 0		
<p>4 x M8, 4 poles pre-assembled cable</p>	09 07 001 0110 0		