

Standard hoods/housings for industrial connectors
 Double locking lever
 Single locking lever

Han

Technical characteristics

Limiting temperature	-40 ... +125 °C
Degree of protection acc. to IEC 60529	IP66
Type rating acc. to UL 50 / UL 50E	4, 4X, 12
Material (hood/housing)	Aluminium die-cast
Surface (hood/housing)	Powder-coated
Colour (hood/housing)	RAL 7037 (dust grey)
Material (seal)	NBR
Material (locking)	Polycarbonate, Stainless steel

Technical characteristics

Colour (locking)	RAL 7037 (dust grey)
Material (accessories)	Polyamide, Stainless steel
Material flammability class acc. to UL 94 (locking levers)	V-0

Specifications and approvals

DNV GL

Identification

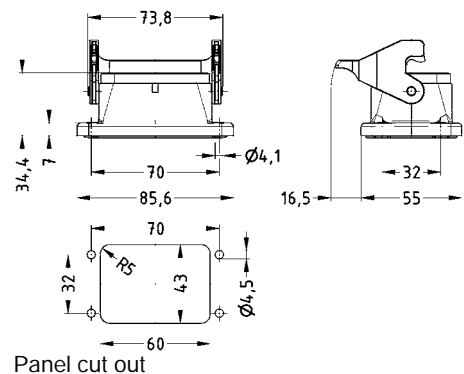
Han® B,
 Bulkhead mounted housings,
 Rear mounting,
 Han-Easy Lock®,
 6 B,
 Pack contents:
 Mounting frame is included within the delivery



Part number
 Low
 construction

09 30 006 0391

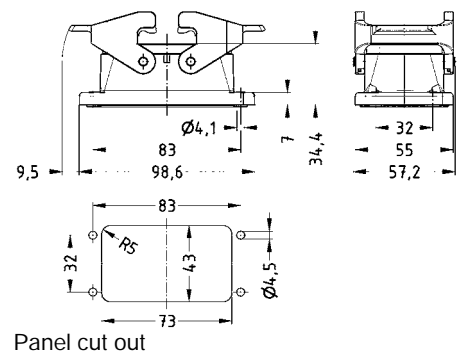
Drawing
 (dimensions in mm)


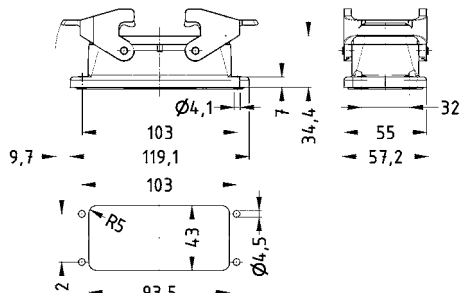

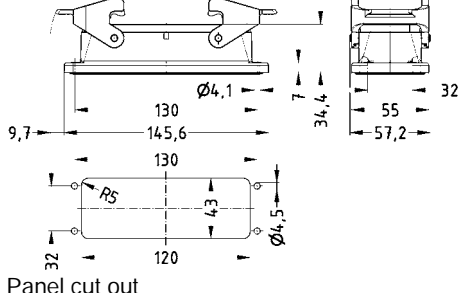


Han® B,
 Bulkhead mounted housings,
 Rear mounting,
 Han-Easy Lock®,
 10 B,
 Pack contents:
 Mounting frame is included within the delivery



09 30 010 0391



Identification	Part number Low construction	Drawing (dimensions in mm)
<p>Han® B, Bulkhead mounted housings, Rear mounting, Han-Easy Lock®, 16 B, Pack contents: Mounting frame is included within the delivery</p> 	<p>09 30 016 0391</p>	 <p>Panel cut out</p>
<p>Han® B, Bulkhead mounted housings, Rear mounting, Han-Easy Lock®, 24 B, Pack contents: Mounting frame is included within the delivery</p> 	<p>09 30 024 0391</p>	 <p>Panel cut out</p>

Han

Hoods/housings for rough environments
 Double locking lever
 Single locking lever

Han

Technical characteristics


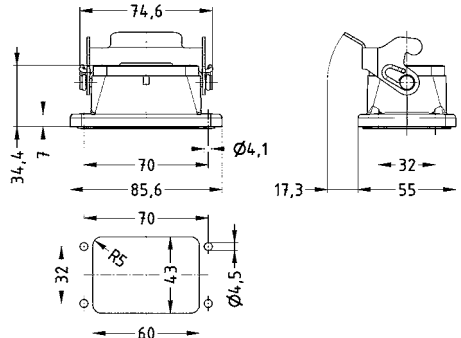

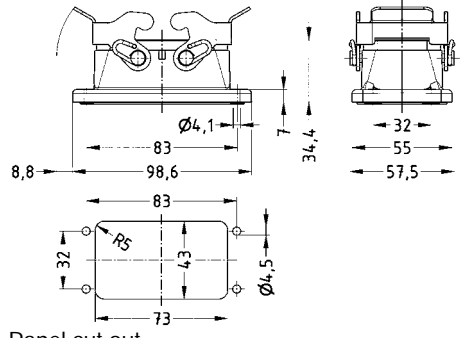
Limiting temperature	-40 ... +125 °C
Degree of protection acc. to IEC 60529	IP66
Type rating acc. to UL 50 / UL 50E	4, 4X, 12
Material (hood/housing)	Aluminium die-cast
Surface (hood/housing)	Powder-coated
Colour (hood/housing)	RAL 9005 (jet black)
Material (seal)	FPM


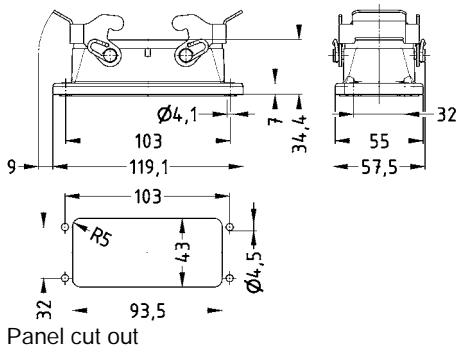

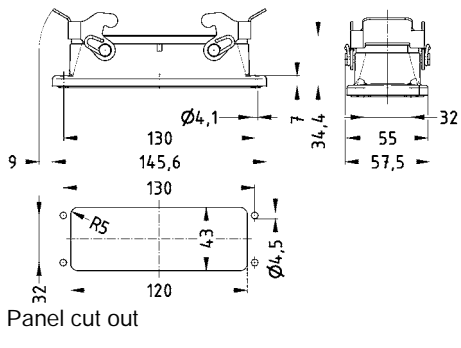
Technical characteristics

Material (locking)	Stainless steel
Material (accessories)	Polyamide, Stainless steel

Specifications and approvals

UL 1977 ECBT2.E235076
 CSA-C22.2 No. 182.3 ECBT8.E235076
 DNV GL

Identification	Part number Low construction	Drawing (dimensions in mm)
<p>Han® M, Bulkhead mounted housings, Rear mounting, 6 B, Pack contents: Mounting frame is included within the delivery</p> 	<p>09 37 006 0391</p>	 <p>Panel cut out</p>
<p>Han® M, Bulkhead mounted housings, Rear mounting, 10 B, Pack contents: Mounting frame is included within the delivery</p> 	<p>09 37 010 0391</p>	 <p>Panel cut out</p>

Identification	Part number Low construction	Drawing (dimensions in mm)
<p>Han® M, Bulkhead mounted housings, Rear mounting, 16 B, Pack contents: Mounting frame is included within the delivery</p> 	09 37 016 0391	 <p>Panel cut out</p>
<p>Han® M, Bulkhead mounted housings, Rear mounting, 24 B, Pack contents: Mounting frame is included within the delivery</p> 	09 37 024 0391	 <p>Panel cut out</p>

Han

Hoods/Housings for higher EMC requirements
 Double locking lever
 Single locking lever

Han

Technical characteristics


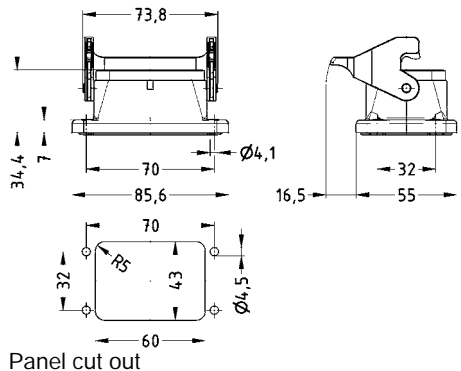

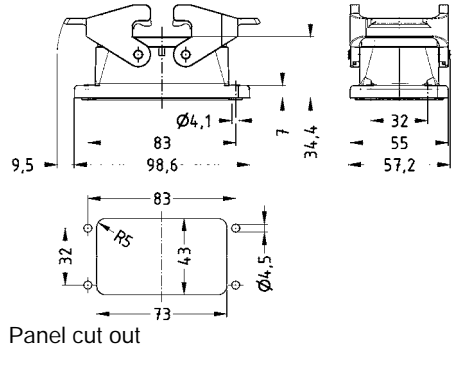
Limiting temperature	-40 ... +125 °C
Degree of protection acc. to IEC 60529	IP66
Type rating acc. to UL 50 / UL 50E	4, 12
Material (hood/housing)	Aluminium die-cast
Surface (hood/housing)	Uncoated
Colour (hood/housing)	Unpainted
Material (seal)	NBR
Material (locking)	Polycarbonate, Stainless steel
Colour (locking)	RAL 7037 (dust grey)


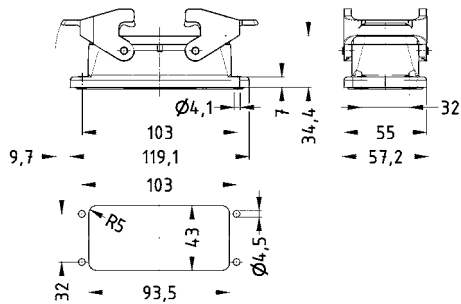

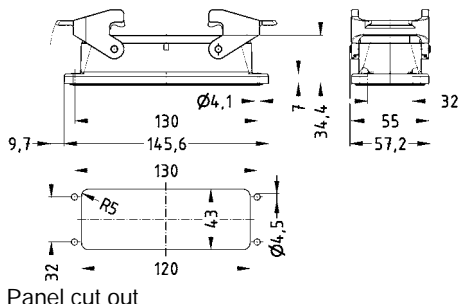
Technical characteristics

Material (accessories) Polyamide, Stainless steel
 Material flammability class acc. to UL 94 (locking levers) V-0

Specifications and approvals

UL 1977 ECBT2.E235076
 CSA-C22.2 No. 182.3 ECBT8.E235076
 DNV GL

Identification	Part number Low construction	Drawing (dimensions in mm)
<p>Han® EMC/B, Bulkhead mounted housings, Rear mounting, Han-Easy Lock®, 6 B, Pack contents: Mounting frame is included within the delivery</p> 	09 62 806 0315	 <p>Panel cut out</p>
<p>Han® EMC/B, Bulkhead mounted housings, Rear mounting, Han-Easy Lock®, 10 B, Pack contents: Mounting frame is included within the delivery</p> 	09 62 810 0315	 <p>Panel cut out</p>

Identification	Part number Low construction	Drawing (dimensions in mm)
<p>Han® EMC/B, Bulkhead mounted housings, Rear mounting, Han-Easy Lock®, 16 B, Pack contents: Mounting frame is included within the delivery</p> 	<p>09 62 816 0315</p>	 <p>Panel cut out</p>
<p>Han® EMC/B, Bulkhead mounted housings, Rear mounting, Han-Easy Lock®, 24 B, Pack contents: Mounting frame is included within the delivery</p> 	<p>09 62 824 0315</p>	 <p>Panel cut out</p>

Han