

Capacitive switch



**Description**

- Capacitive touch sensor as momentary push button (NO or NC) or as latching switch (LA)
- Protection against unintended switching
- Multicolor illumination
- Floating switch connections
- Laser lettering possible
- Vandal resistant
- Wires (8 wires for Multicolor, 4 wires otherwise)<sup>2</sup>

**Unique Selling Proposition**

- Variable supply voltage
- Constant LED intensity
- Inputs protected against overvoltage
- Galvanic separated outputs

**Standards**

- DIN EN 61058-1
- UL 1054

**Characteristics**

- Housing made from stainless steel
- Various illumination colors and color combinations possible
- Touch surface made from scratch-resistant ceramics with area illumination or made from stainless steel with ring illumination
- Ring or area illumination
- Wearless, no moving parts
- Attractive design with or without finger guide available

**Weblinks**

[html-datasheet](#), [General Product Information](#), [CE declaration of conformity](#), [RoHS](#), [CHINA-RoHS](#), [CAD-Drawings](#), [Product News](#), [Detailed request for product](#)

Important information

- The CPS is not suitable for use in sanitary or other applications exposed to water or other liquids.
- The housing is connected to gnd.

**Technical Data**

**Electrical Data**

Switching Function	momentary (NO <sup>1</sup> ) or latching
Switching Voltage	max. 42 VAC / 60 VDC
Switching Current	max. 100 mA
Rated Breaking Capacity	1 W
Switch Resistance OFF	> 10 MΩ
Switch Resistance ON	< 16Ω
Supply Voltage	5 - 28 VDC
Reverse Polarity Protection	yes
Short Circuit Protection	yes
Output Type	OptoMOS Relay
connection type	Wires (8 wires for Multicolor, 4 wires otherwise) <sup>2</sup>

**Mechanical Data**

Actuation Type	capacitive
Actuating Force	none
Shock Protection	IK 09
Mounting Depth	with Finger Guide: 30.3 mm without Finger Guide: 30 mm
Tightening Torque Plastic Nut	2.5Nm

**Climatical Data**

Operating Temperature	-20 to +60 °C
Storage Temperature	-40 to +85 °C
IP Protection Class Front Side	IP 67 acc. to IEC 60529

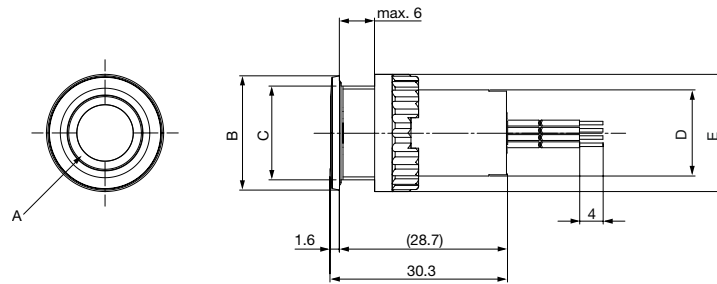
**Material**

Housings	Stainless Steel
Actuator	Area Illumination: Ceramics Ring Illumination: Stainless steel
Illuminated Ring (Ring Illumination)	PMMA (acrylic glass)
Gasket	NBR70

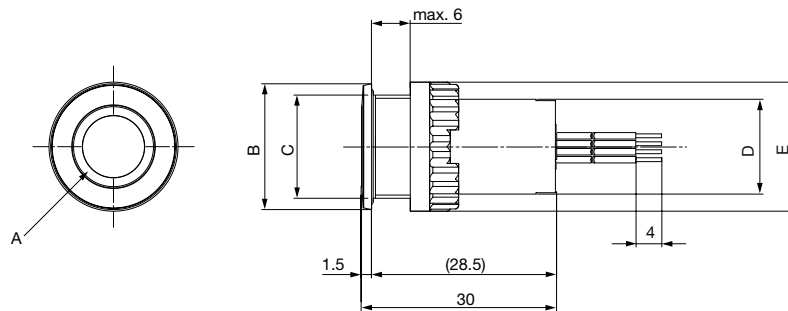
<sup>1</sup> on request also available as NC / <sup>2</sup> on request also available with cable or connector

**Dimension**

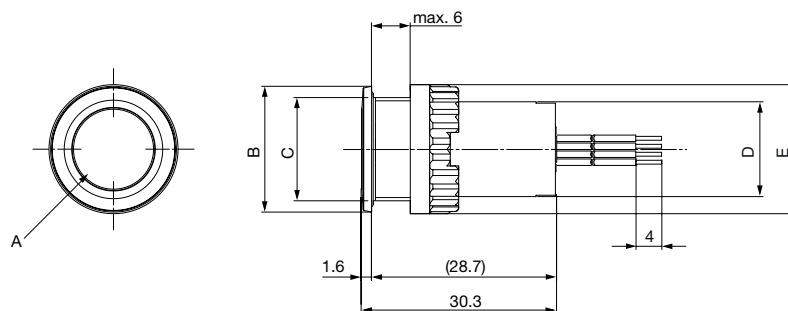
CPS with ring illuminating, with finger guide



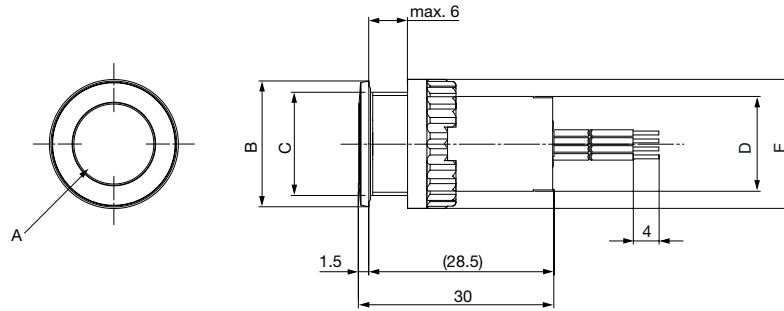
CPS with ring illuminating, no finger guide



CPS with area illuminating, with finger guide



CPS with area illuminating, no finger guide



A= illuminating area

B= CPS16: 16 mm  
CPS19: 19 mm  
CPS22: 22 mm

C= CPS16: M16x1  
CPS19: M19x0.75  
CPS22: M22x0.75

D= CPS16: 14.7 mm  
CPS19: 14.5 mm  
CPS22: 14.5 mm

E= CPS16: ø20 mm  
CPS19: ø24 mm  
CPS22: ø27.6 mm

For multicolor configurations

Connection wire assignment		
Wire-number	Wire color	function
Wire 1	brown	Vin = 5 VDC...28 VDC
Wire 2	black	GND
Wire 3	white	OUT1
Wire 4	white	OUT2
Wire 5	red	LED red GND = ON Open* = OFF
Wire 6	green	LED green GND = ON Open* = OFF
Wire 7	blue	LED blue GND = ON Open* = OFF
Wire 8	black	GND

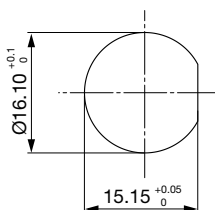
For all other configurations

Connection wire assignment		
Wire-number	Wire color	function
Wire 1	brown	Vin = 5 VDC...28 VDC
Wire 2	black	GND
Wire 3	white	OUT1
Wire 4	white	OUT2

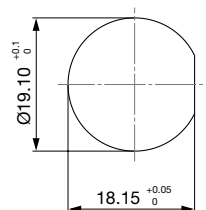
\* internal pull-up resistor to vcc = 3.3 V

## Dimension

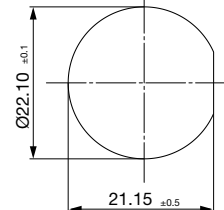
CPS16



CPS19

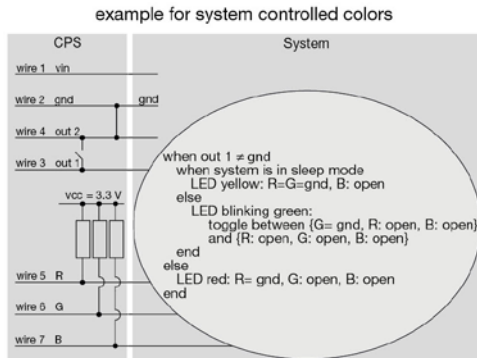


CPS22



Diagrams

Multicolor variant



Lighting options Multicolor

Lighting type	Wire red	Wire green	Wire blue	Resulting Color
Multicolor Singlecolor	x			Red
Multicolor Singlecolor		x		Green
Multicolor Singlecolor			x	Blue
Multicolor RGB Additive 2	x	x		Yellow
Multicolor RGB Additive 2	x		x	Magenta
Multicolor RGB Additive 2		x	x	Cyan
Multicolor RGB Additive 3	x	x	x	White

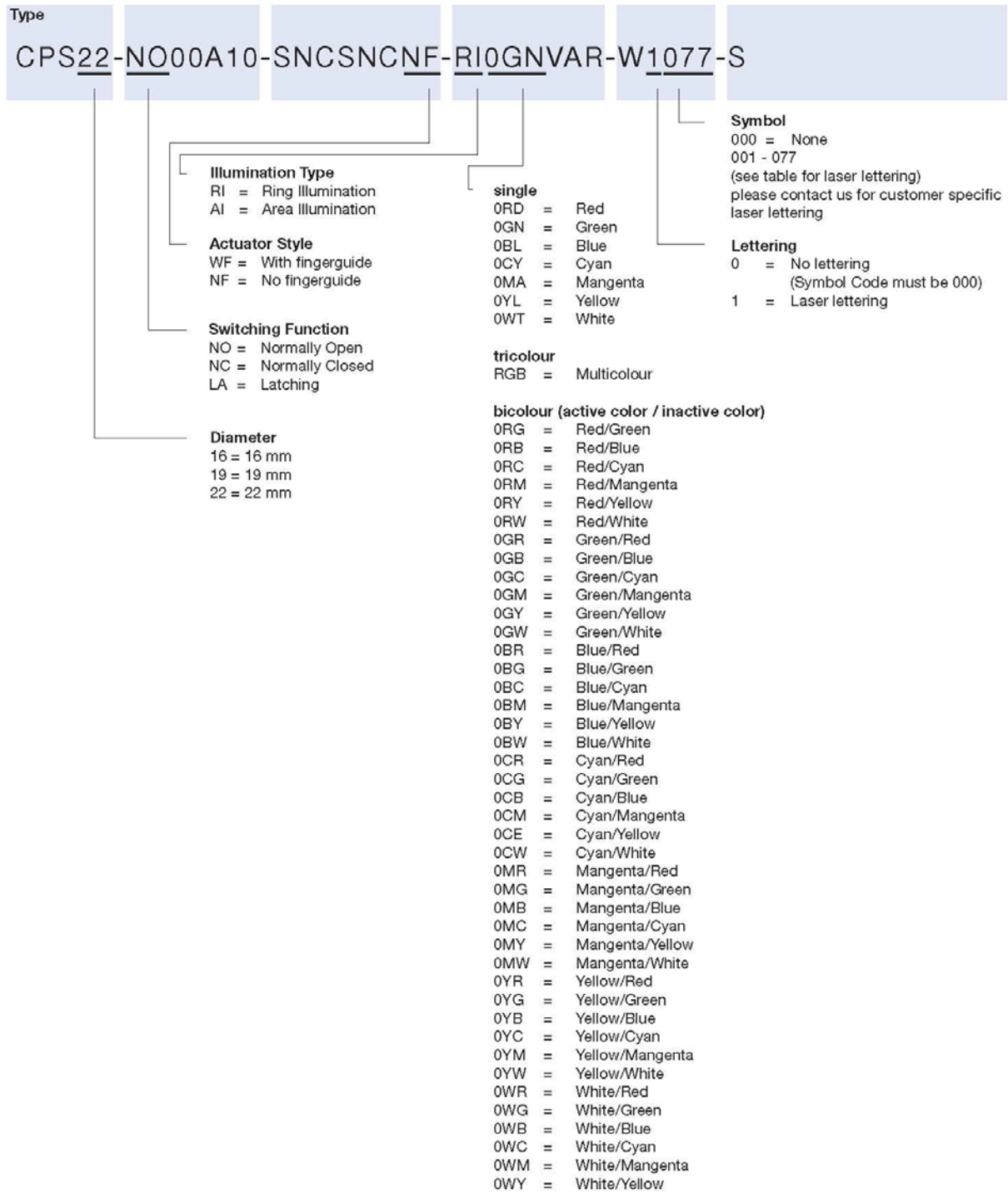
Lettering Colour of Laser Lettering

Material	Lettering Colour	
Stainless Steel	black	Filled letters
Ceramic	black	Filled letters

Order Index Lettering

Laser Marking			
001 = A	021 = U	041 = ÷	061 = EIN
002 = B	022 = V	042 = *	062 = AUS
003 = C	023 = W	043 = =	063 = AUF
004 = D	024 = X	044 = #	064 = AB
005 = E	025 = Y	045 = ↔	065 = ON
006 = F	026 = Z	046 = †	066 = OFF
007 = G	027 = 0	047 = →	067 = UP
008 = H	028 = 1	048 = ←	068 = DOWN
009 = I	029 = 2	049 = ↓	069 = HIGH
010 = J	030 = 3	050 = †	070 = LOW
011 = K	031 = 4	051 = %	071 = ON/OFF
012 = L	032 = 5	052 = √	072 = START
013 = M	033 = 6	053 = CTRL	073 = RESET
014 = N	034 = 7	054 = RETURN	074 = ⏻
015 = O	035 = 8	055 = SHIFT	075 = 💡
016 = P	036 = 9	056 = LOCK	076 = 🔔
017 = Q	037 = +	057 = STOP	077 = Ⓜ
018 = R	038 = -	058 = ENTER	
019 = S	039 = .	059 = BACK	
020 = T	040 = x	060 = LINE	

Configuration code (example)



## All Variants

Diameter [mm]	Illumination	Illumination Color active / inactive	Finger Guide	Function	Actuator Material	Accessories	Order Number
16	Backlighted	red / green	with	latching	Ceramic	Knurled nut	3-101-398
16	Backlighted	red / green	without	latching	Ceramic	Knurled nut	3-101-395
16	Backlighted	multicolor	without	latching	Ceramic	Knurled nut	3-101-394
16	Ring Illumination	red / green	with	latching	Stainless Steel	Knurled nut	3-101-413
16	Ring Illumination	red / green	without	latching	Stainless Steel	Knurled nut	3-101-401
16	Ring Illumination	multicolor	without	latching	Stainless Steel	Knurled nut	3-101-400
16	Backlighted	multicolor	with	momentary, NO	Ceramic	Knurled nut	3-101-397
16	Backlighted	multicolor	without	momentary, NO	Ceramic	Knurled nut	3-101-403
16	Ring Illumination	multicolor	with	momentary, NO	Stainless Steel	Knurled nut	3-101-412
16	Ring Illumination	multicolor	without	momentary, NO	Stainless Steel	Knurled nut	3-101-399
19	Backlighted	red / green	with	latching	Ceramic	Hexnut	3-101-418
19	Backlighted	red / green	without	latching	Ceramic	Hexnut	3-101-416
19	Backlighted	multicolor	without	latching	Ceramic	Hexnut	3-101-415
19	Ring Illumination	red / green	with	latching	Stainless Steel	Hexnut	3-101-423
19	Ring Illumination	red / green	without	latching	Stainless Steel	Hexnut	3-101-421
19	Ring Illumination	multicolor	without	latching	Stainless Steel	Hexnut	3-101-420
19	Ring Illumination	multicolor	with	momentary, NO	Ceramic	Hexnut	3-101-422
19	Backlighted	multicolor	with	momentary, NO	Ceramic	Hexnut	3-101-417
19	Backlighted	multicolor	without	momentary, NO	Ceramic	Hexnut	3-101-414
19	Ring Illumination	multicolor	without	momentary, NO	Stainless Steel	Hexnut	3-101-419
22	Backlighted	red / green	with	latching	Ceramic	Knurled nut	3-101-428
22	Backlighted	red / green	without	latching	Ceramic	Knurled nut	3-101-426
22	Backlighted	multicolor	without	latching	Ceramic	Knurled nut	3-101-425
22	Ring Illumination	red / green	with	latching	Stainless Steel	Knurled nut	3-101-405
22	Ring Illumination	red / green	without	latching	Stainless Steel	Knurled nut	3-101-431
22	Ring Illumination	multicolor	without	latching	Stainless Steel	Knurled nut	3-101-430
22	Backlighted	multicolor	with	momentary, NO	Ceramic	Knurled nut	3-101-427
22	Backlighted	multicolor	without	momentary, NO	Ceramic	Knurled nut	3-101-424
22	Ring Illumination	multicolor	with	momentary, NO	Stainless Steel	Knurled nut	3-101-404
22	Ring Illumination	multicolor	without	momentary, NO	Stainless Steel	Knurled nut	3-101-429

Common parameters for all standard variants:

- Housing material: stainless steel
- Switching current: 100 mA
- Illumination supply voltage: 5 V - 28 V (variable)
- IP protection: IP 67
- IK protection: IK 09
- Terminal connection: wires (8 wires for RGB, 4 wires otherwise), standard wire length is 200 mm

Switch is open after power-up (protection against unintended switching)

NO: normally open

Most Popular.

Availability for all products can be searched real-time: <http://www.schurter.com/Stock-Check/Stock-Check-SCHURTER>

Configurations which are not listed as standard in the table above can be requested as customized variants. The configuration code can be used for customizing this product. Please contact us in case more detail information is needed.

**Packaging unit** 10 Pcs